



Chipsmall Limited consists of a professional team with an average of over 10 year of expertise in the distribution of electronic components. Based in Hongkong, we have already established firm and mutual-benefit business relationships with customers from,Europe,America and south Asia,supplying obsolete and hard-to-find components to meet their specific needs.

With the principle of “Quality Parts,Customers Priority,Honest Operation,and Considerate Service”,our business mainly focus on the distribution of electronic components. Line cards we deal with include Microchip,ALPS,ROHM,Xilinx,Pulse,ON,Everlight and Freescale. Main products comprise IC,Modules,Potentiometer,IC Socket,Relay,Connector.Our parts cover such applications as commercial,industrial, and automotives areas.

We are looking forward to setting up business relationship with you and hope to provide you with the best service and solution. Let us make a better world for our industry!



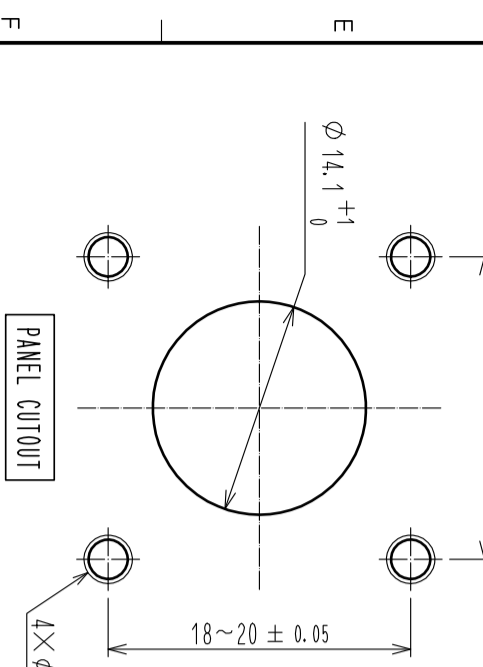
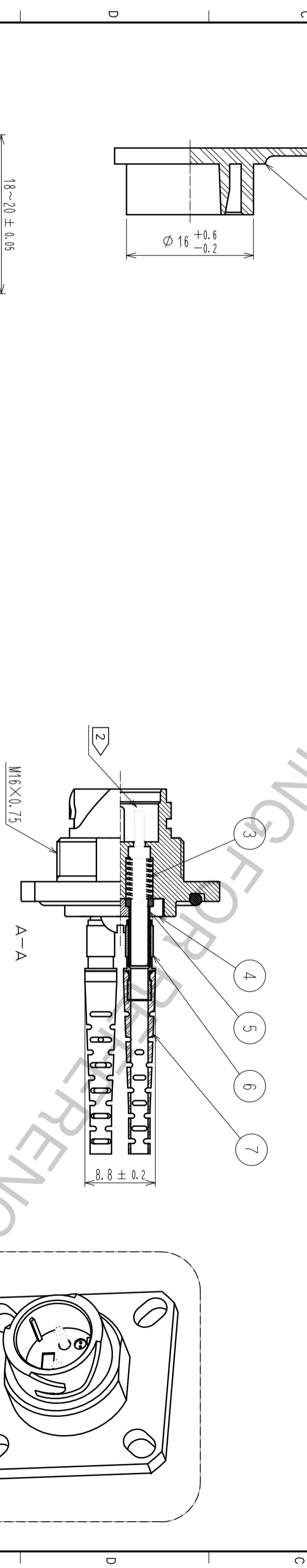
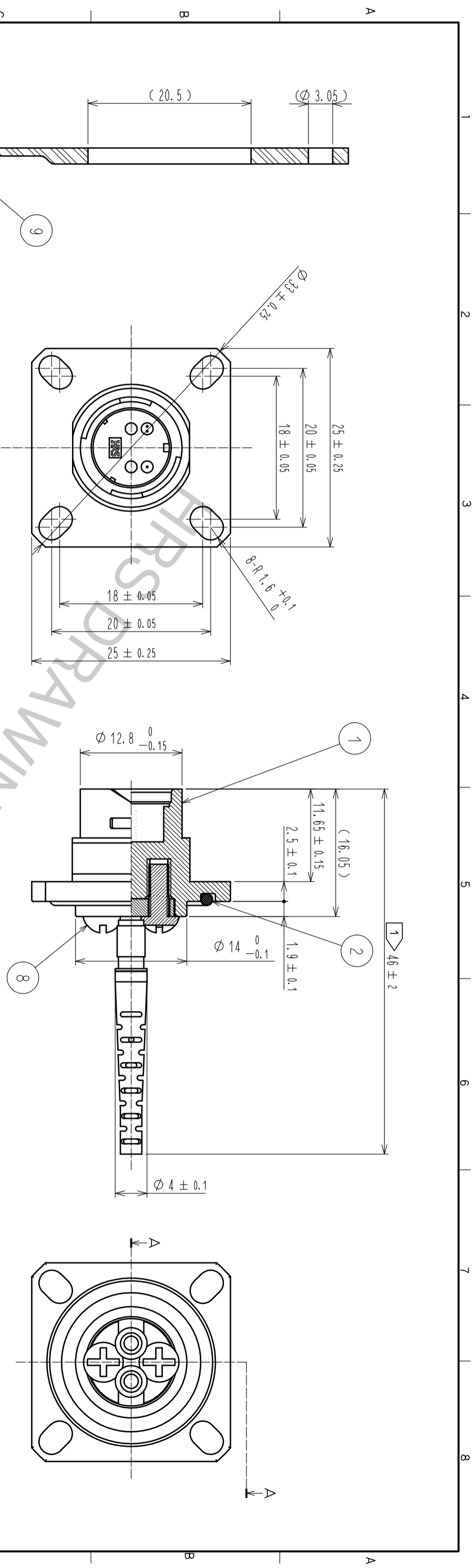
Contact us

Tel: +86-755-8981 8866 Fax: +86-755-8427 6832

Email & Skype: info@chipsmall.com Web: www.chipsmall.com

Address: A1208, Overseas Decoration Building, #122 Zhenhua RD., Futian, Shenzhen, China





NOTE
 1 These dimensions indicate the condition after cable assembly.
 2 Ferrules are not included in this product. MU ferrules are separately available.

PANEL CUTOUT
 4Xφ3.2 or 4XM3(NOT through)

NO.	MATERIAL	FINISH	REMARKS	NO.	MATERIAL	FINISH	REMARKS
1	ZINC DIE CASTING	CHROME PLATING		6	BRASS	NICKEL PLATING	
2	SYNTHETIC RUBBER (CR)	COLOR : BLACK		7	SYNTHETIC RESIN (TPEE)	COLOR : LAVENDER	
3	PIANO WIRE	BAKING PROCESSING		8	STAINLESS STEEL		
4	BRASS	NICKEL PLATING		9	SYNTHETIC RUBBER (SR)	COLOR : BLACK	
5	BRASS	NICKEL PLATING					

UNITS	SCALE	COUNT	DESCRIPTION OF REVISIONS	DESIGNED	CHECKED	DATE
mm	2 : 1					

APPROVED	CHECKED	DESIGNED	DRAWING
MT. SHIBUTANI	MT. SHIBUTANI	SI. MATSUMOTO	MT. SHIBUTANI
18.03.29	18.03.29	18.03.29	18.03.29

DESIGNED	CHECKED	DATE
SI. MATSUMOTO	SI. MATSUMOTO	18.03.29

APPROVED	CHECKED	DESIGNED
MT. SHIBUTANI	MT. SHIBUTANI	SI. MATSUMOTO
18.03.29	18.03.29	18.03.29

DESIGNED	CHECKED	DATE
SI. MATSUMOTO	SI. MATSUMOTO	18.03.29

APPROVED	CHECKED	DESIGNED
MT. SHIBUTANI	MT. SHIBUTANI	SI. MATSUMOTO
18.03.29	18.03.29	18.03.29

DESIGNED	CHECKED	DATE
SI. MATSUMOTO	SI. MATSUMOTO	18.03.29

APPROVED	CHECKED	DESIGNED
MT. SHIBUTANI	MT. SHIBUTANI	SI. MATSUMOTO
18.03.29	18.03.29	18.03.29

DESIGNED	CHECKED	DATE
SI. MATSUMOTO	SI. MATSUMOTO	18.03.29