



Chipsmall Limited consists of a professional team with an average of over 10 year of expertise in the distribution of electronic components. Based in Hongkong, we have already established firm and mutual-benefit business relationships with customers from,Europe,America and south Asia,supplying obsolete and hard-to-find components to meet their specific needs.

With the principle of “Quality Parts,Customers Priority,Honest Operation,and Considerate Service”,our business mainly focus on the distribution of electronic components. Line cards we deal with include Microchip,ALPS,ROHM,Xilinx,Pulse,ON,Everlight and Freescale. Main products comprise IC,Modules,Potentiometer,IC Socket,Relay,Connector.Our parts cover such applications as commercial,industrial, and automotives areas.

We are looking forward to setting up business relationship with you and hope to provide you with the best service and solution. Let us make a better world for our industry!



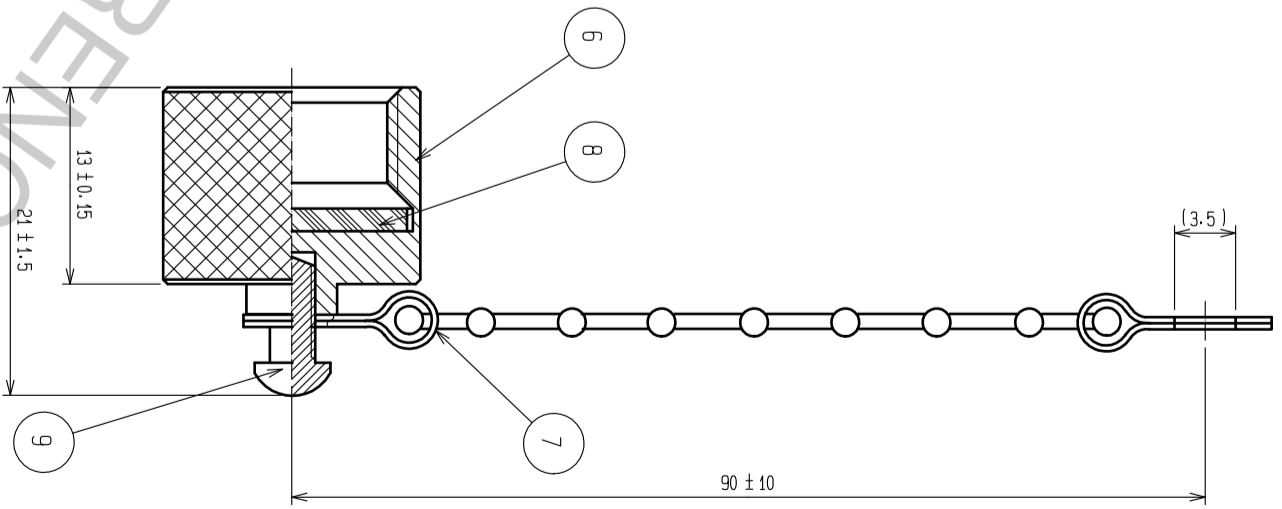
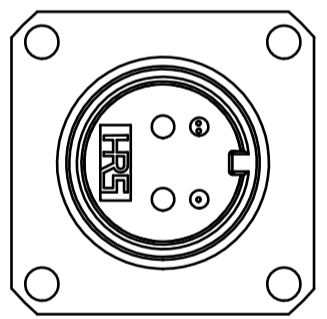
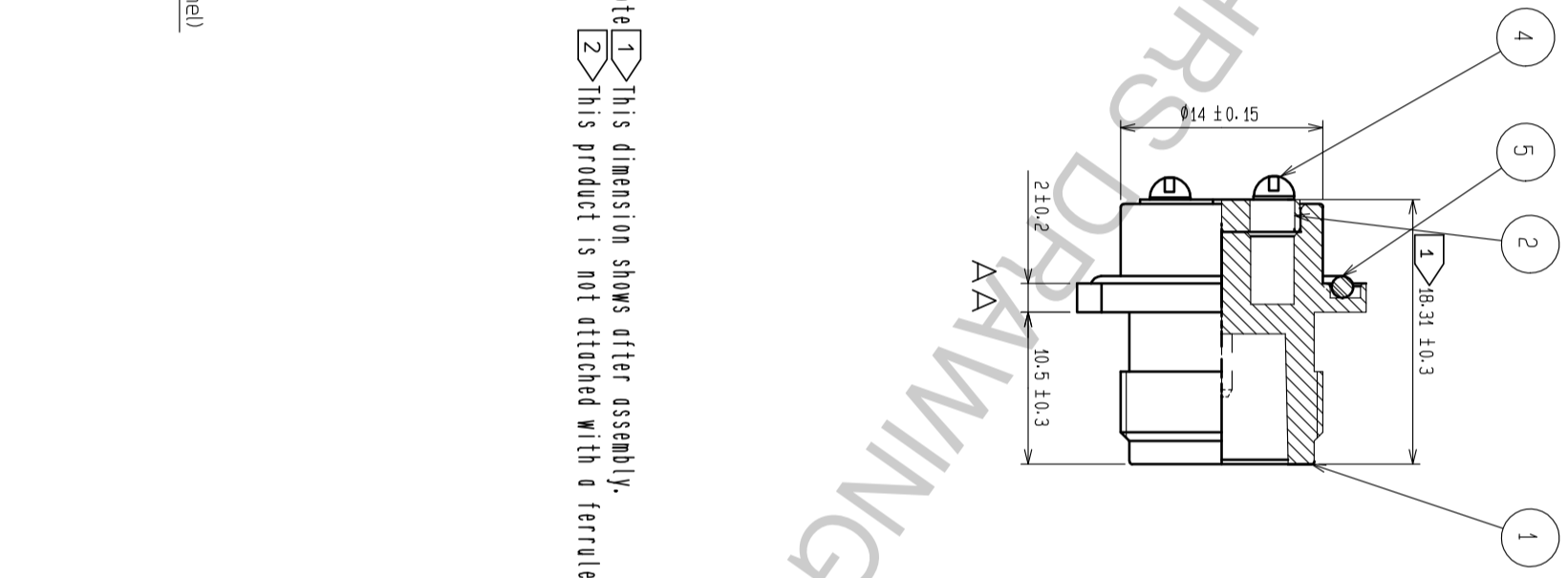
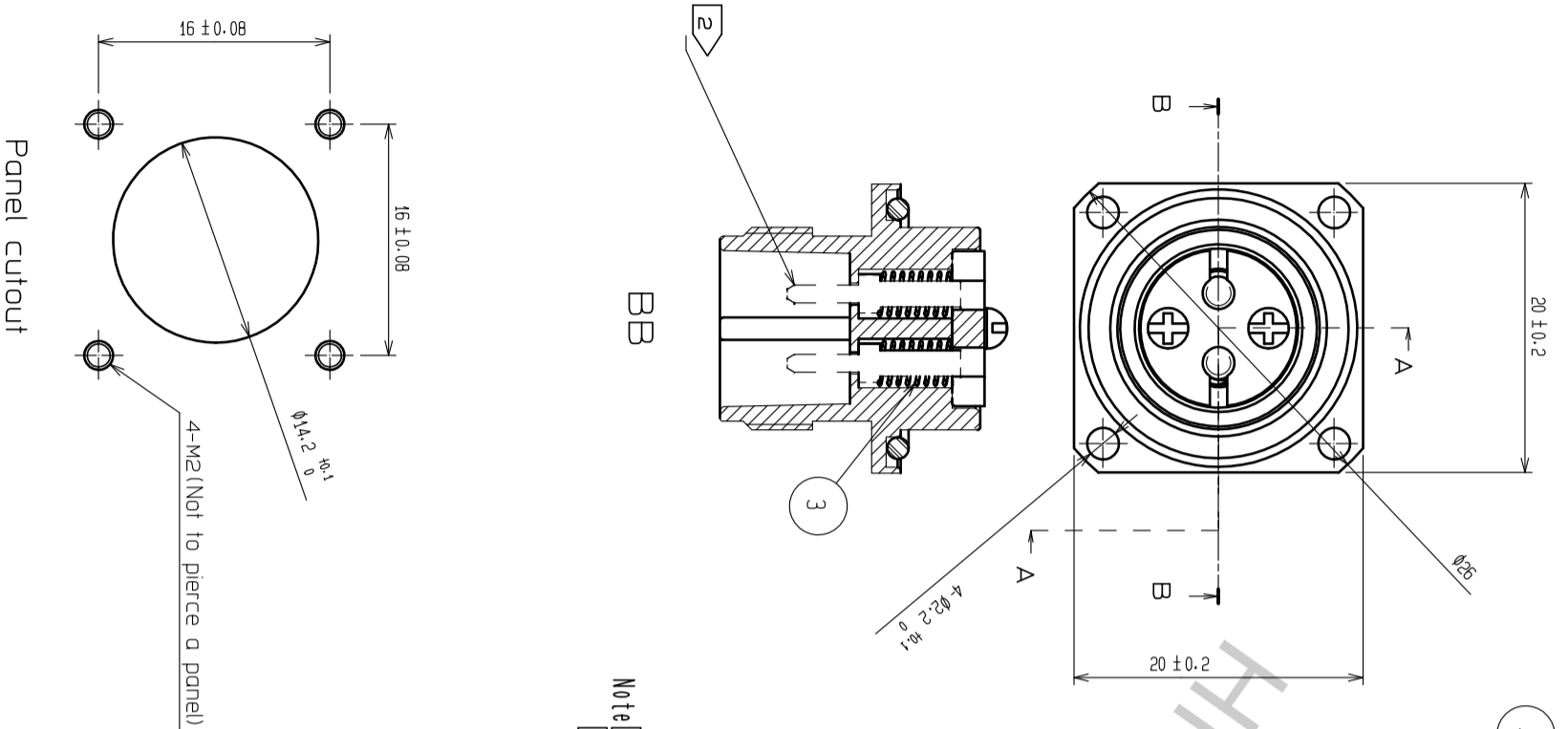
Contact us

Tel: +86-755-8981 8866 Fax: +86-755-8427 6832

Email & Skype: info@chipsmall.com Web: www.chipsmall.com

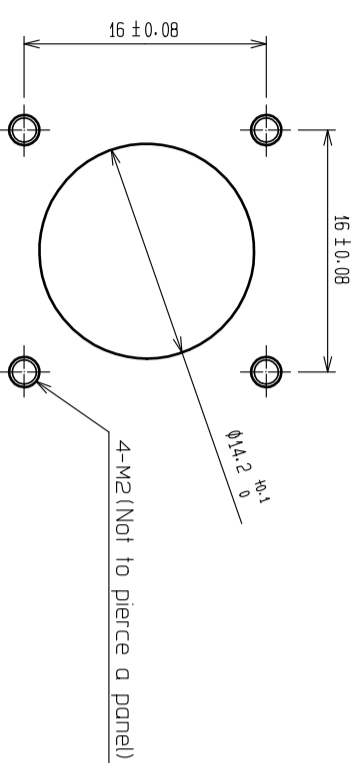
Address: A1208, Overseas Decoration Building, #122 Zhenhua RD., Futian, Shenzhen, China





Note 1 This dimension shows after assembly.
 2 This product is not attached with a ferrule. Please use an optional MU ferrule.

Panel cutout



5	Synthetic rubber								
4	Stainless steel								
3	Piano wire	Zinc plating							
2	Synthetic resin								
1	Zinc die casting	Chrome plating (black)							
NO.	MATERIAL	FINISH . REMARKS	NO.	MATERIAL	FINISH . REMARKS	NO.	MATERIAL	FINISH . REMARKS	NO.
UNITS	mm	SCALE	2 : 1	COUNT	DESCRIPTION OF REVISIONS	DESIGNED	CHECKED	DATE	
HIROSE ELECTRIC CO., LTD.		APPROVED : MT. SHIBUTANI CHECKED : MT. SHIBUTANI DESIGNED : F.S. YOSHIDA DRAWN : SR. TOYOKAWA	18.03.23 18.03.23 18.03.22 18.03.22	DRAWING NO. EDC-175689-31-00	PART NO. MF10S-WDRF01-0200(31)	CODE CL709-0204-5-31	1/1		