



Chipsmall Limited consists of a professional team with an average of over 10 year of expertise in the distribution of electronic components. Based in Hongkong, we have already established firm and mutual-benefit business relationships with customers from,Europe,America and south Asia,supplying obsolete and hard-to-find components to meet their specific needs.

With the principle of "Quality Parts,Customers Priority,Honest Operation,and Considerate Service",our business mainly focus on the distribution of electronic components. Line cards we deal with include Microchip,ALPS,ROHM,Xilinx,Pulse,ON,Everlight and Freescale. Main products comprise IC,Modules,Potentiometer,IC Socket,Relay,Connector.Our parts cover such applications as commercial,industrial, and automotives areas.

We are looking forward to setting up business relationship with you and hope to provide you with the best service and solution. Let us make a better world for our industry!



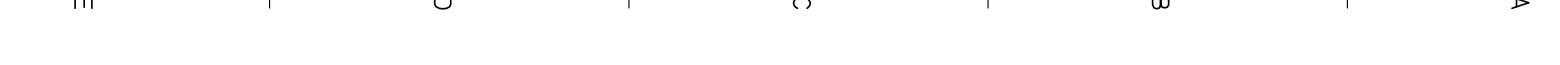
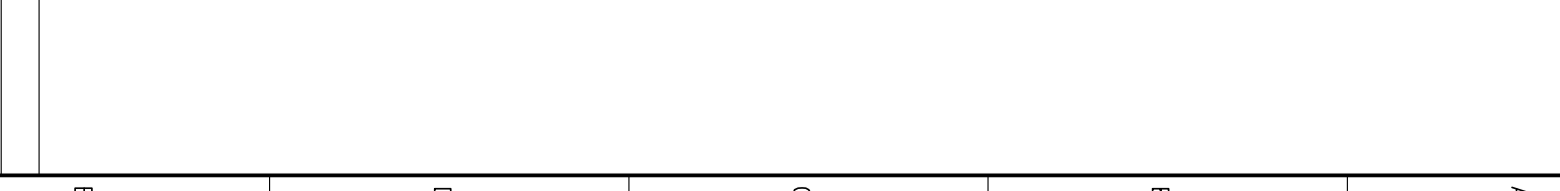
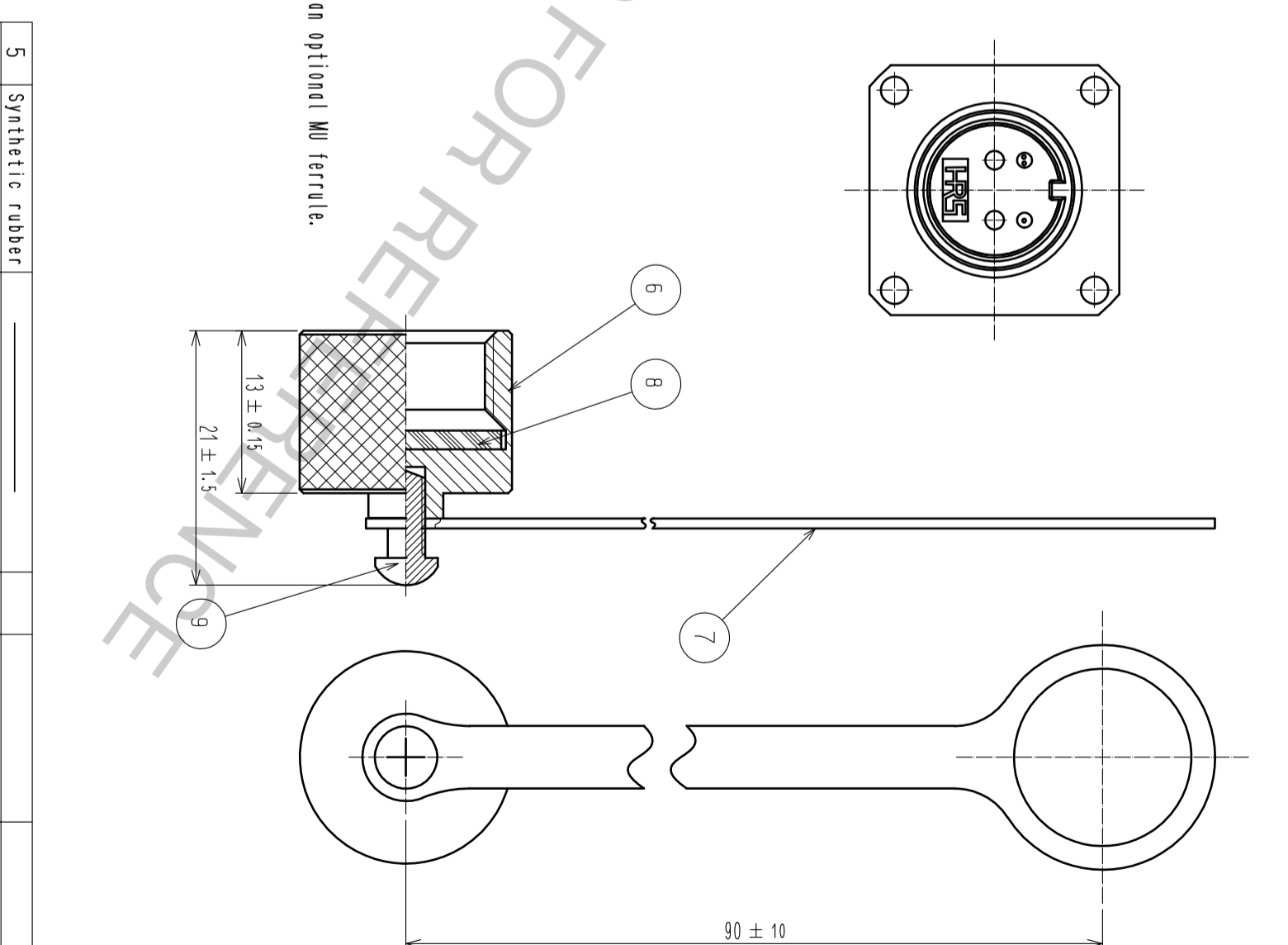
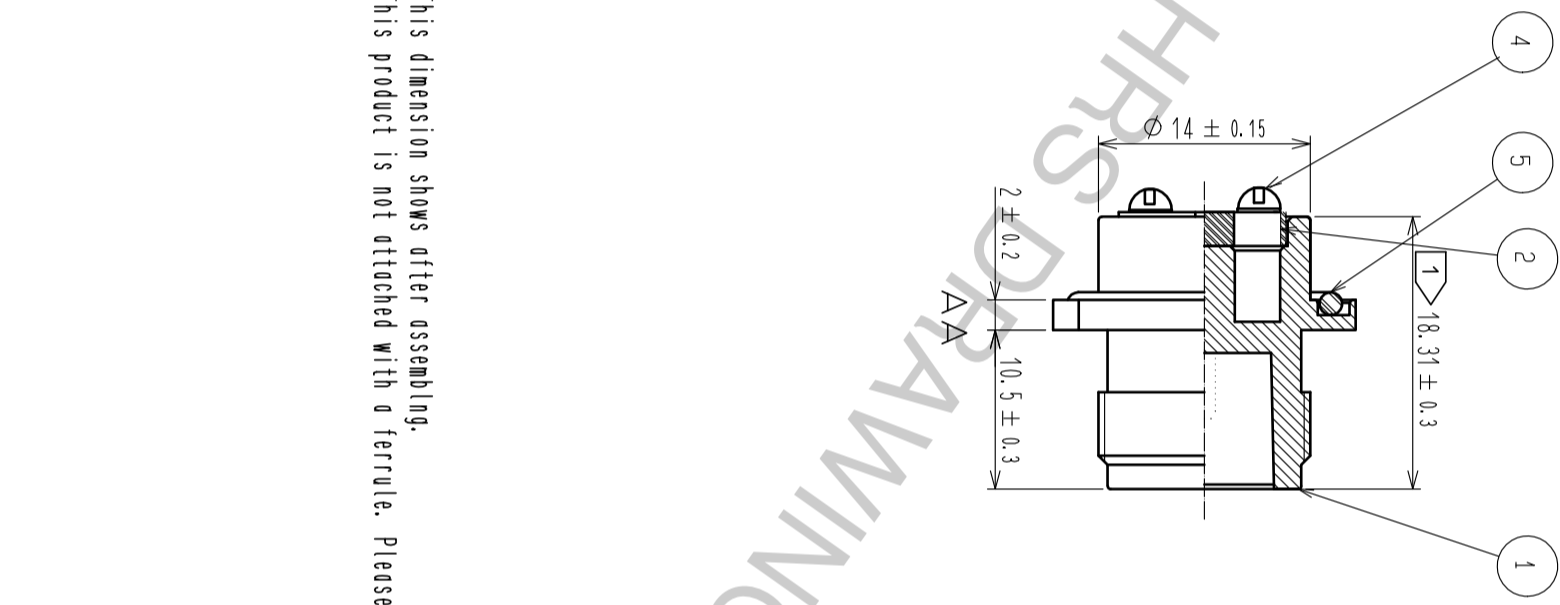
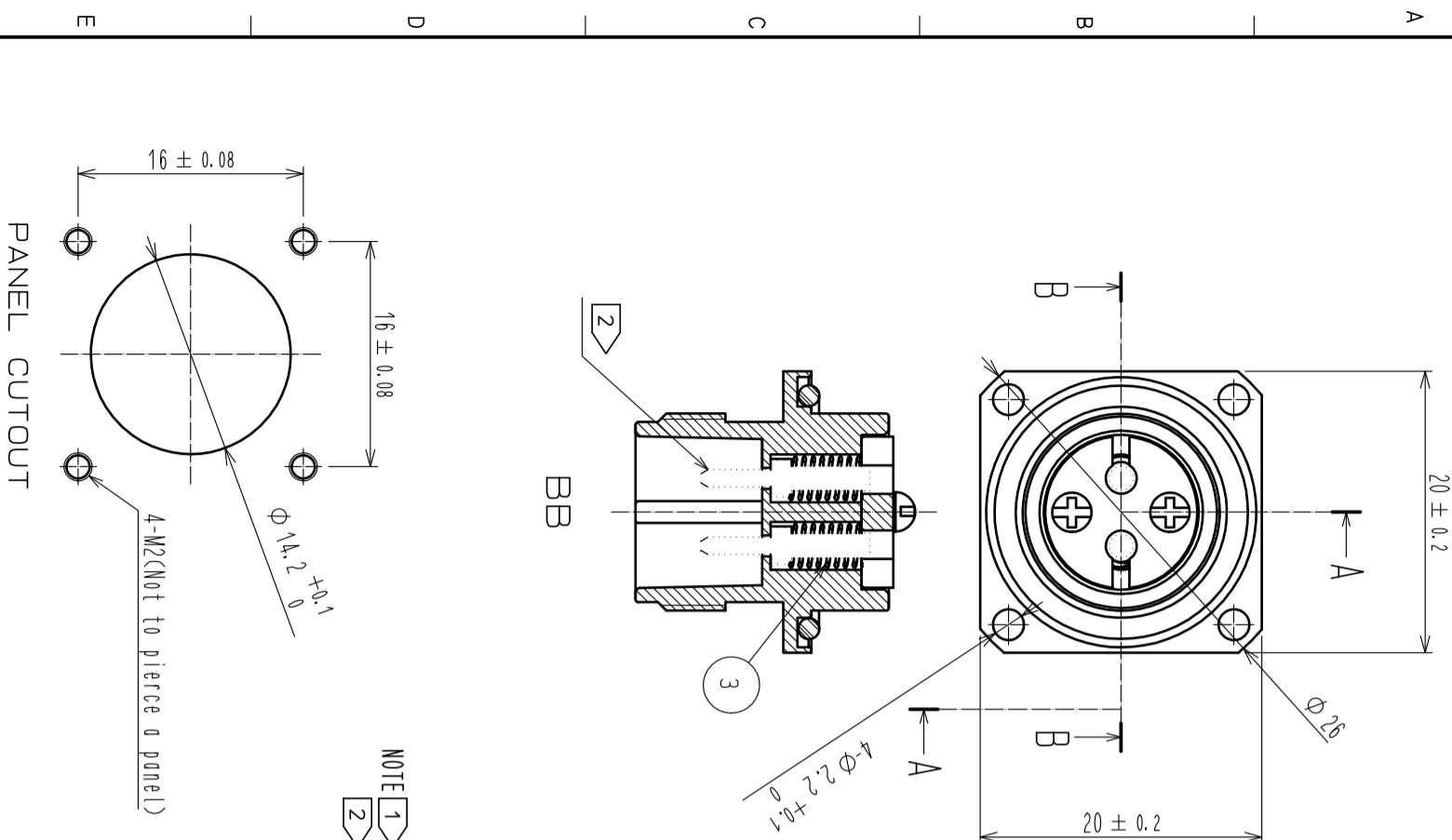
Contact us

Tel: +86-755-8981 8866 Fax: +86-755-8427 6832

Email & Skype: info@chipsmall.com Web: www.chipsmall.com

Address: A1208, Overseas Decoration Building, #122 Zhenhua RD., Futian, Shenzhen, China





NOTE 1 This dimension shows after assembling.
 2 This product is not attached with a ferrule. Please use an optional MU ferrule.

5	Synthetic rubber								
4	Stainless steel								
3	Piano wire	Chrome plating							
2	Synthetic resin								
1	Zinc die casting	Chrome plating							

NO.	MATERIAL	FINISH	REMARKS	NO.	MATERIAL	FINISH	REMARKS
1	Zinc die casting	Chrome plating		6	Aluminum alloy	Anodic oxide coating	
2	Synthetic resin			7	Nylon		
3	Piano wire	Chrome plating		8	Synthetic rubber		
4	Stainless steel			9	Stainless steel	Nyrock	
5	Synthetic rubber						

UNITS	mm	SCALE	2 : 1
COUNT		DESCRIPTION OF REVISIONS	
DESIGNED	.SI. MATSUMOTO	CHECKED	.MT. SHIBUTANI
DRAWN	.SR. TOYOKAWA	APPROVED	.MT. SHIBUTANI
DATE	18.03.27	DRAWING NO.	EDC-176142-31-00
		PART NO.	MF10S-WDRF20-0200(31)
		CODE	CL709-0517-0-31