



Chipsmall Limited consists of a professional team with an average of over 10 year of expertise in the distribution of electronic components. Based in Hongkong, we have already established firm and mutual-benefit business relationships with customers from,Europe,America and south Asia,supplying obsolete and hard-to-find components to meet their specific needs.

With the principle of “Quality Parts,Customers Priority,Honest Operation,and Considerate Service”,our business mainly focus on the distribution of electronic components. Line cards we deal with include Microchip,ALPS,ROHM,Xilinx,Pulse,ON,Everlight and Freescale. Main products comprise IC,Modules,Potentiometer,IC Socket,Relay,Connector.Our parts cover such applications as commercial,industrial, and automotives areas.

We are looking forward to setting up business relationship with you and hope to provide you with the best service and solution. Let us make a better world for our industry!



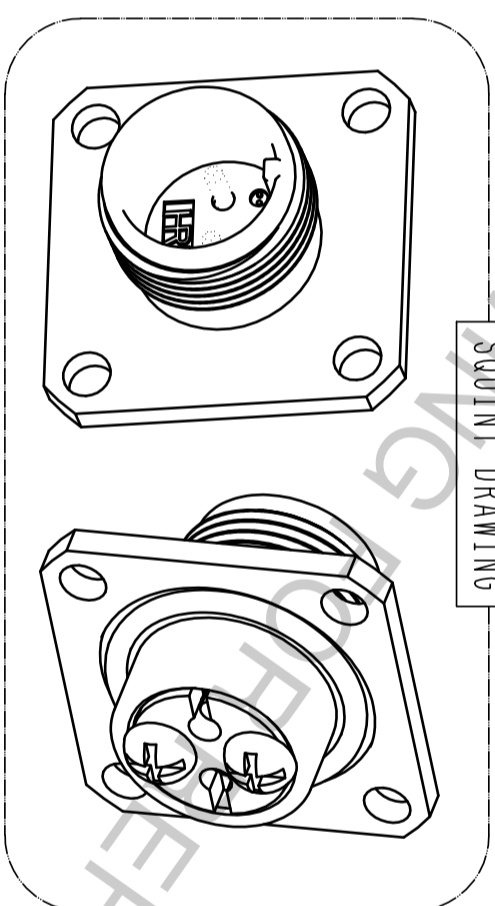
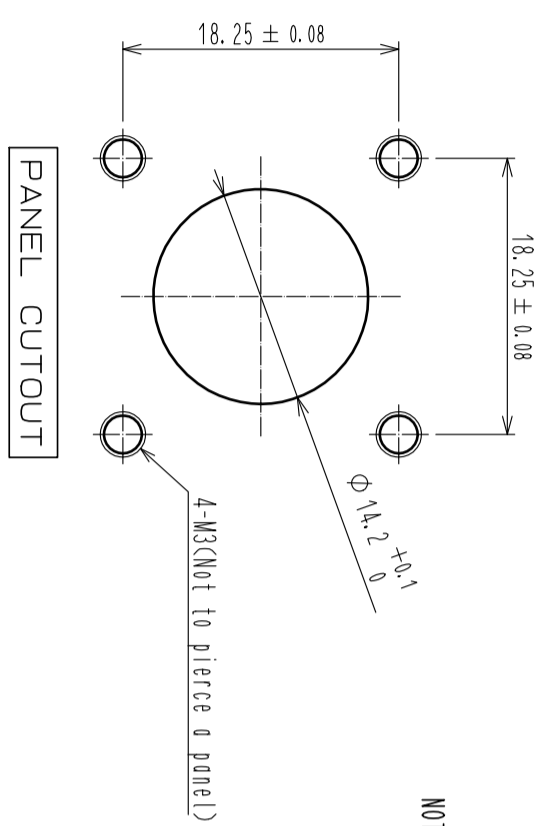
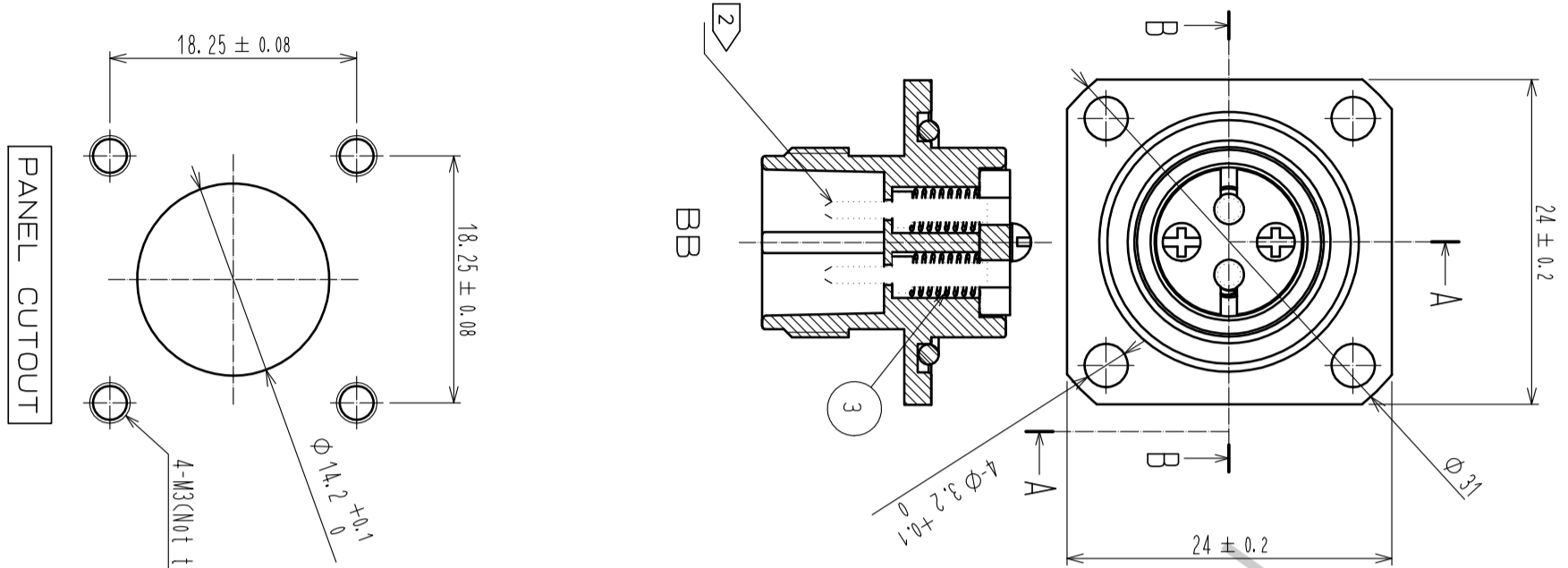
Contact us

Tel: +86-755-8981 8866 Fax: +86-755-8427 6832

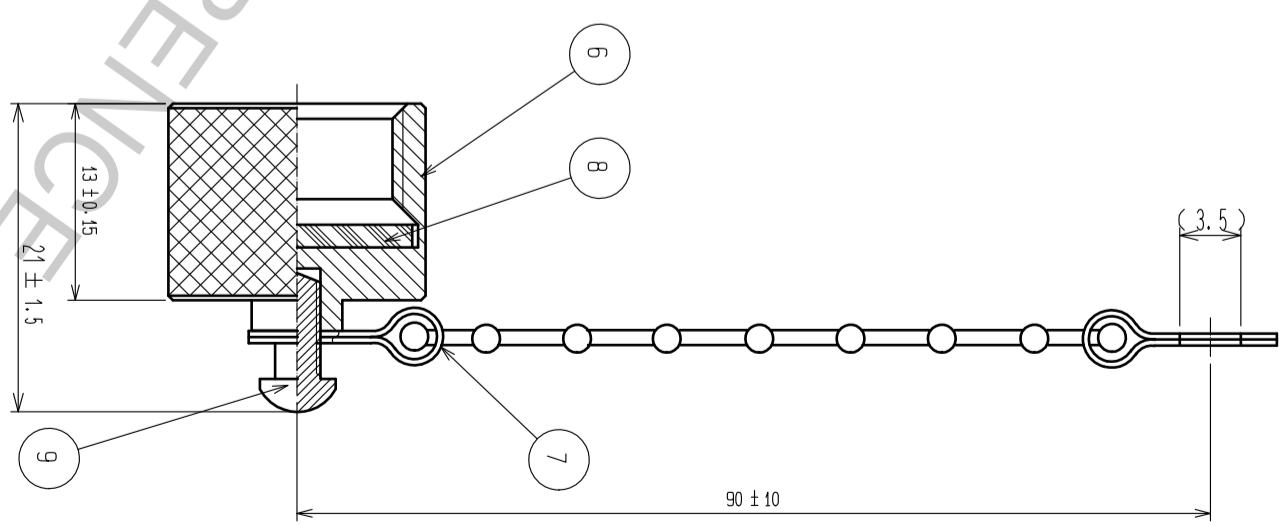
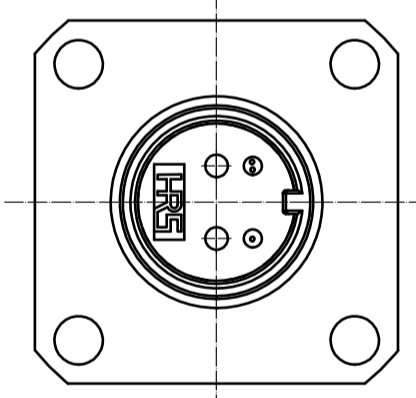
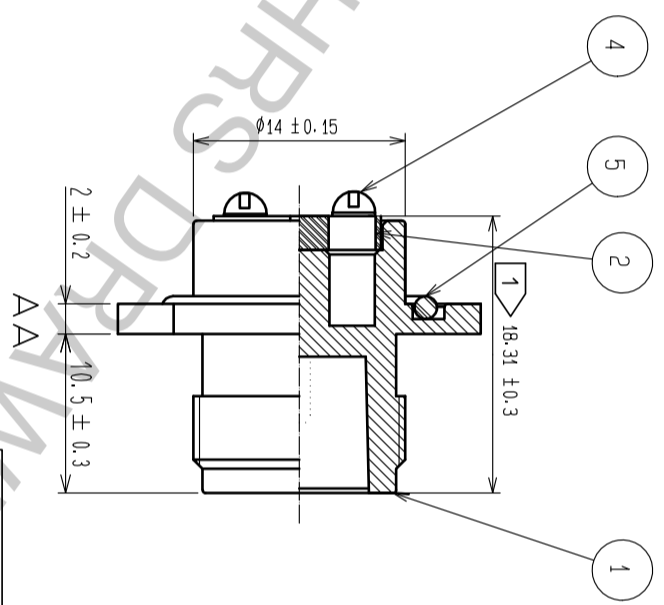
Email & Skype: info@chipsmall.com Web: www.chipsmall.com

Address: A1208, Overseas Decoration Building, #122 Zhenhua RD., Futian, Shenzhen, China





NOTE
 1 THIS DIMENSION SHOWS AFTER ASSEMBLING.
 2 THIS PART IS NOT CONTAINED. PLEASE USE AN OPTIONAL MU FERRULE.



5	SYNTHETIC RUBBER								
4	STAINLESS STEEL								
3	PLANO WIRE	ZINC PLATING							
2	SYNTHETIC RESIN								
1	ZINC DIECAST	CHROME PLATING							
NO.	MATERIAL	FINISH .	REMARKS	NO.	MATERIAL	FINISH .	REMARKS	NO.	MATERIAL
UNITS	SCALE	COUNT	DESCRIPTION OF REVISIONS	DESIGNED	CHECKED	DATE			
mm	2 : 1								

HRS		HIROSE ELECTRIC CO., LTD.	
APPROVED	MT. SHIBUTANI	18.02.02	DRAWING NO.
CHECKED	F.S. YOSHIDA	18.02.02	PART NO.
DESIGNED	T.Y. SATO	18.02.02	CODE NO.
DRAWN	M.K. INOUE	18.02.02	
		EDC-176807-31-00	
		MF10S-WDRFG01-0200(31)	
		CL709-0578-5-31	