



Chipsmall Limited consists of a professional team with an average of over 10 year of expertise in the distribution of electronic components. Based in Hongkong, we have already established firm and mutual-benefit business relationships with customers from,Europe,America and south Asia,supplying obsolete and hard-to-find components to meet their specific needs.

With the principle of “Quality Parts,Customers Priority,Honest Operation,and Considerate Service”,our business mainly focus on the distribution of electronic components. Line cards we deal with include Microchip,ALPS,ROHM,Xilinx,Pulse,ON,Everlight and Freescale. Main products comprise IC,Modules,Potentiometer,IC Socket,Relay,Connector.Our parts cover such applications as commercial,industrial, and automotives areas.

We are looking forward to setting up business relationship with you and hope to provide you with the best service and solution. Let us make a better world for our industry!



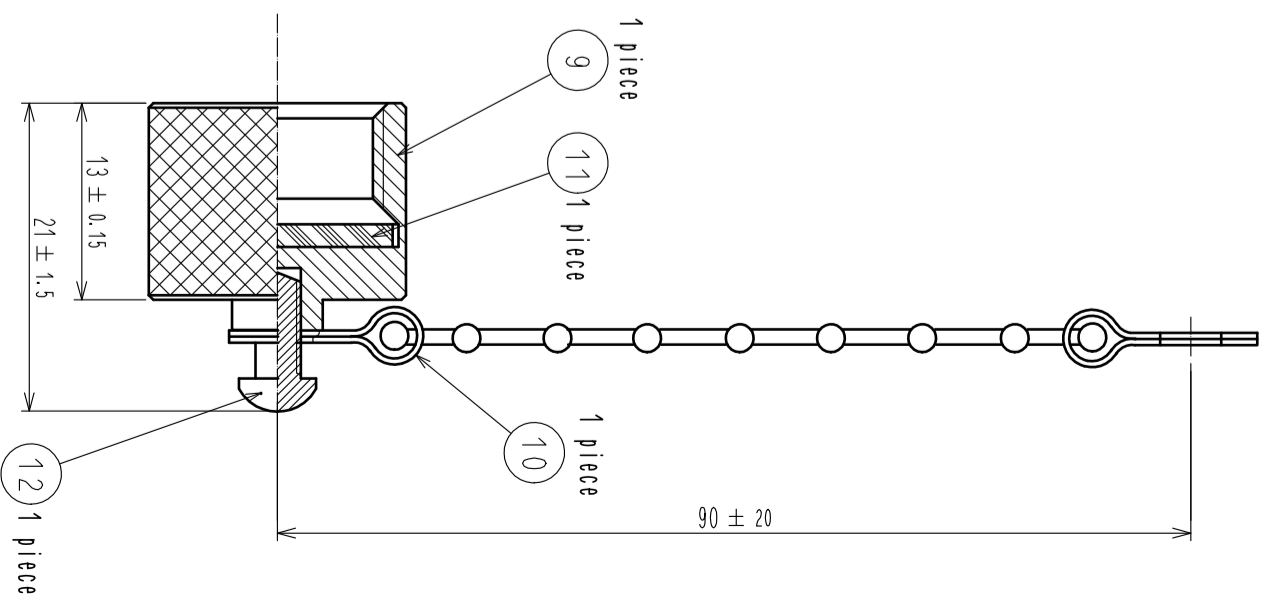
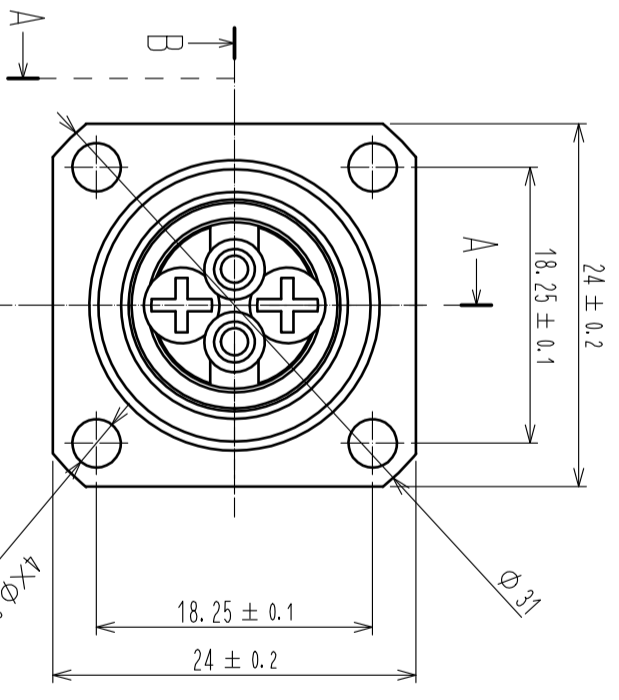
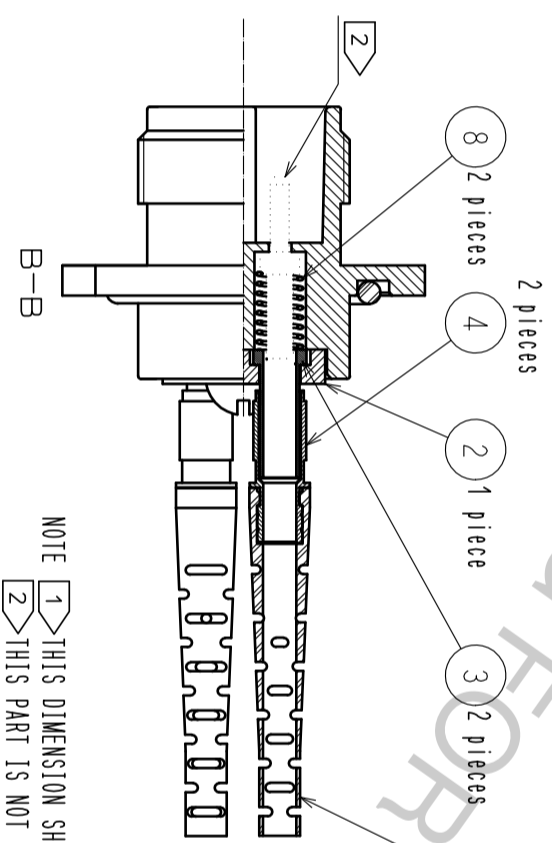
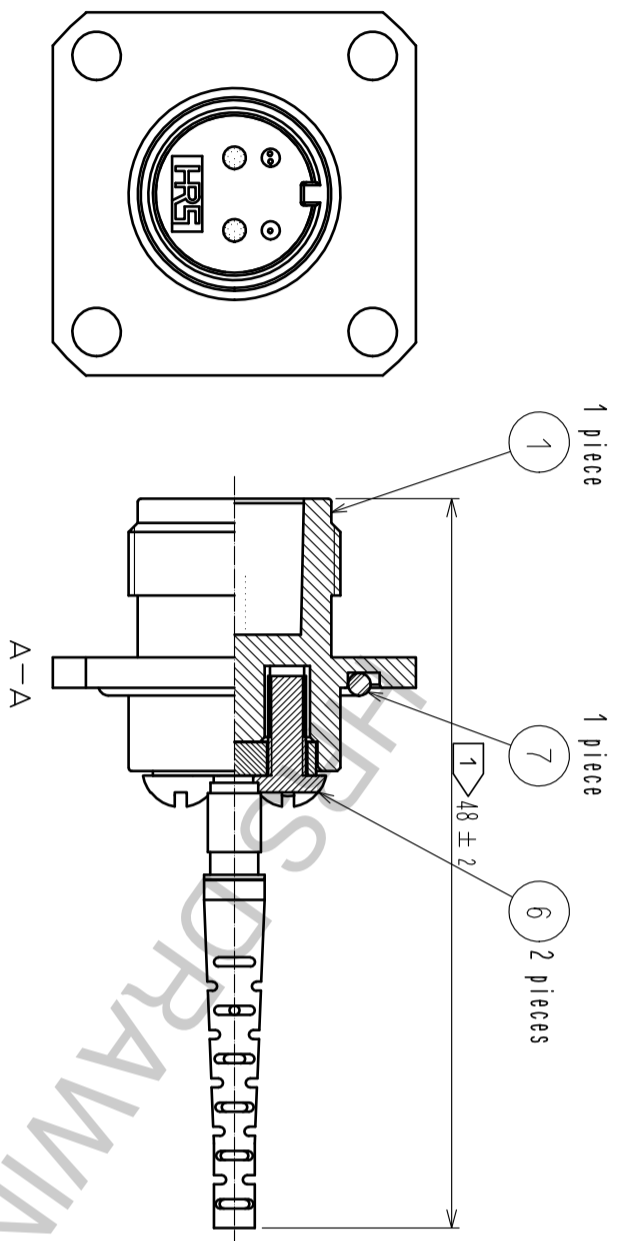
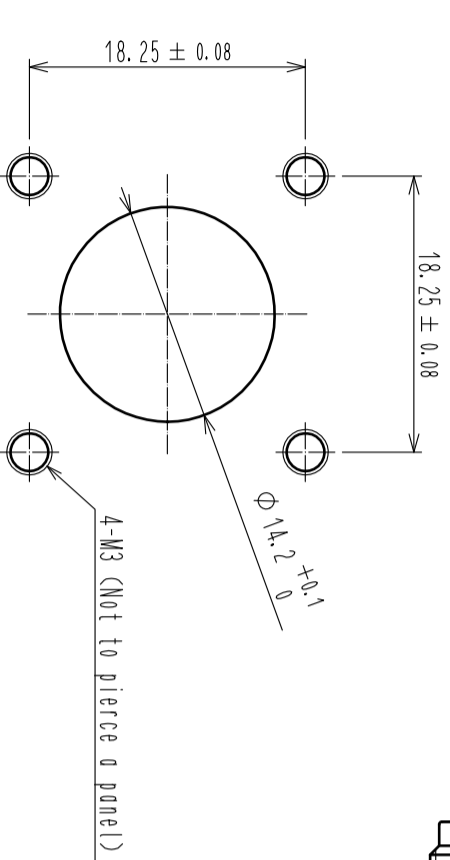
Contact us

Tel: +86-755-8981 8866 Fax: +86-755-8427 6832

Email & Skype: info@chipsmall.com Web: www.chipsmall.com

Address: A1208, Overseas Decoration Building, #122 Zhenhua RD., Futian, Shenzhen, China





NOTE
 1 THIS DIMENSION SHOWS AFTER ASSEMBLING.
 2 THIS PART IS NOT CONTAINED. PLEASE USE AN OPTIONAL MU FERRULE.

6	STAINLESS STEEL	12	STAINLESS STEEL	NYLOCK
5	TPEE RESIN	11	SIR RUBBER	COLOR:NATURAL
4	BRASS	10	STAINLESS STEEL	
3	BRASS	9	ALUMINIUM ALLOY	ANODIC OXIDE COATING (BLACK)
2	BRASS	8	PLANO WIRE	ZINC PLATING
1	ZINC DIECAST	7	EPR RUBBER	COLOR:BLACK

HRS HIROSE ELECTRIC CO., LTD.
 Approved: MT. SHIBUTANI 18.02.02 DRAWING EDC-176813-31-00
 Checked: F.S. YOSHIDA 18.02.02 PART MF10S-WDRFGC01-0200(31)
 Designed: TY. SATO 18.02.02 NO. CL709-0579-8-31
 Drawn: MK. INOUE 18.02.02 NO. 1/1