



Chipsmall Limited consists of a professional team with an average of over 10 year of expertise in the distribution of electronic components. Based in Hongkong, we have already established firm and mutual-benefit business relationships with customers from,Europe,America and south Asia,supplying obsolete and hard-to-find components to meet their specific needs.

With the principle of “Quality Parts,Customers Priority,Honest Operation,and Considerate Service”,our business mainly focus on the distribution of electronic components. Line cards we deal with include Microchip,ALPS,ROHM,Xilinx,Pulse,ON,Everlight and Freescale. Main products comprise IC,Modules,Potentiometer,IC Socket,Relay,Connector.Our parts cover such applications as commercial,industrial, and automotives areas.

We are looking forward to setting up business relationship with you and hope to provide you with the best service and solution. Let us make a better world for our industry!



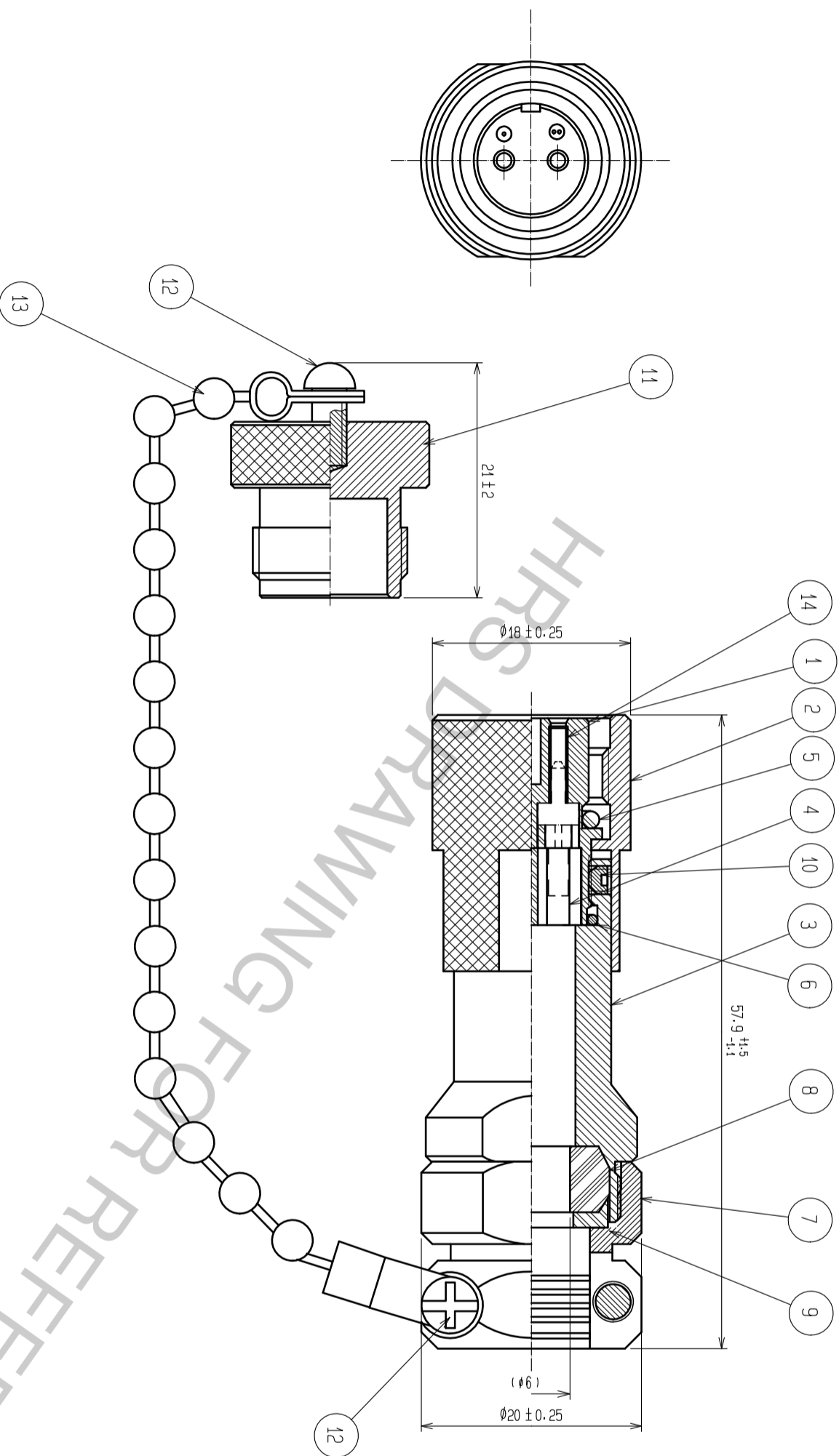
## Contact us

Tel: +86-755-8981 8866 Fax: +86-755-8427 6832

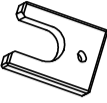
Email & Skype: info@chipsmall.com Web: www.chipsmall.com

Address: A1208, Overseas Decoration Building, #122 Zhenhua RD., Futian, Shenzhen, China





NOTE 1. THE CLAMP TORQUE OF REF. Ø TO BE 1.5~3N·m.

EXCLUSIVE PLASTIC SPANNER	PART NO.	CODE NO.
	MF10-T1	CL709-0205-B

7	BRASS	CHROME PLATING	14	ZIRCONIA	
6	SYNTHETIC RUBBER		13	STAINLESS STEEL	
5	SYNTHETIC RUBBER		12	STAINLESS STEEL	NYELOCK
4	SYNTHETIC RESIN		11	ALUMINIUM ALLOY	ANODIC OXIDE COATING
3	ALUMINIUM ALLOY	ANODIC OXIDE COATING	10	STAINLESS STEEL	
2	BRASS	CHROME PLATING	9	SYNTHETIC RESIN	
1	ZINC DIECAST	CHROME PLATING	8	SYNTHETIC RUBBER	
NO.	MATERIAL	FINISH . REMARKS	NO.	MATERIAL	FINISH . REMARKS

UNITS	SCALE	COUNT	DESCRIPTION OF REVISIONS	DESIGNED	CHECKED	DATE
mm	2 : 1					

<b>HRS</b>		HIROSE ELECTRIC CO., LTD.		APPROVED : MT. SHIBUTANI		18.02.02		DRAWING NO.		EDC-176281-31-00	
				CHECKED : FS. YOSHIDA		18.02.02		PART NO.		MF10S-WP6C01-0200(31)	
				DESIGNED : TY. SATO		18.02.02		CODE NO.		CL709-0527-4-31	
				DRAWN : MK. INOUE		18.02.01		NO.			