



Chipsmall Limited consists of a professional team with an average of over 10 year of expertise in the distribution of electronic components. Based in Hongkong, we have already established firm and mutual-benefit business relationships with customers from,Europe,America and south Asia,supplying obsolete and hard-to-find components to meet their specific needs.

With the principle of "Quality Parts,Customers Priority,Honest Operation,and Considerate Service",our business mainly focus on the distribution of electronic components. Line cards we deal with include Microchip,ALPS,ROHM,Xilinx,Pulse,ON,Everlight and Freescale. Main products comprise IC,Modules,Potentiometer,IC Socket,Relay,Connector.Our parts cover such applications as commercial,industrial, and automotives areas.

We are looking forward to setting up business relationship with you and hope to provide you with the best service and solution. Let us make a better world for our industry!



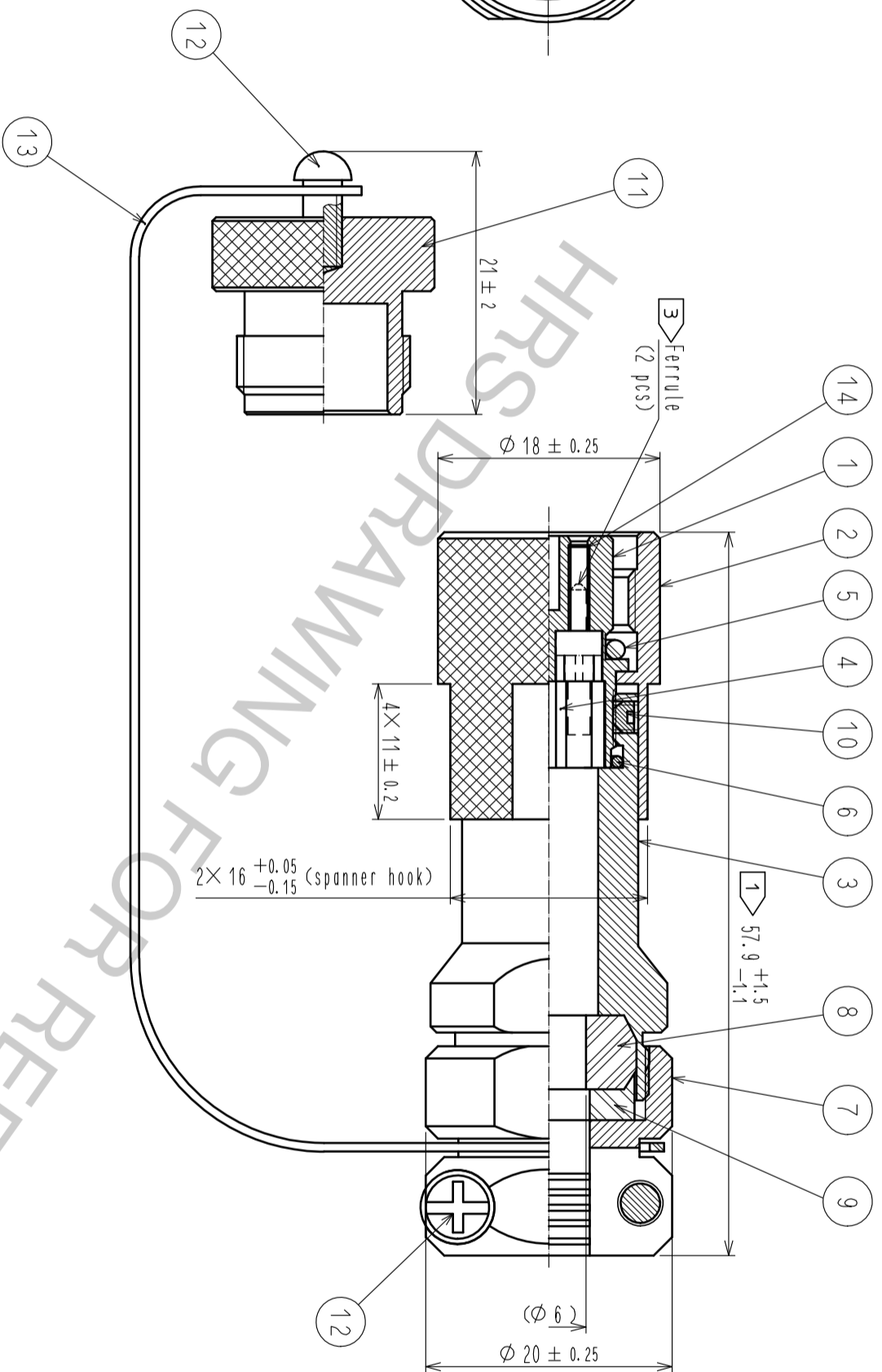
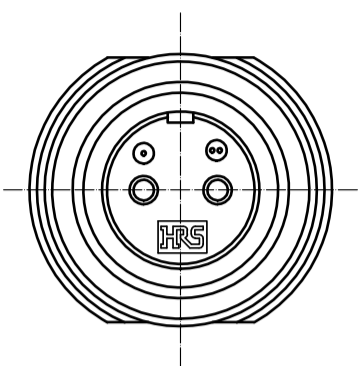
Contact us

Tel: +86-755-8981 8866 Fax: +86-755-8427 6832

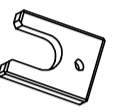
Email & Skype: info@chipsmall.com Web: www.chipsmall.com

Address: A1208, Overseas Decoration Building, #122 Zhenhua RD., Futian, Shenzhen, China





NOTE
 1 This dimension indicates the condition after assembling to a cable.
 2 When this plug is mated with receptacle, clamping torque of part No.2
 should be 1.5 to 3 N·m.
 Optional plastic spanner below can be used as a substitution.

Plastic spanner	Part No.	Code No.
	MF10-11	CL709-0205-8-00

3 Ferrules are not included in this product.
 Please use an optional simplex simplified MU ferrule.

7	BRASS	CHROME PLATING	14	ZIRCONIA	
6	NBR RUBBER	COLOR:BLACK	13	NYLON	
5	NBR RUBBER	COLOR:BLACK	12	STAINLESS STEEL	NYELOCK
4	PBT	COLOR:BLACK	11	ALUMINIUM ALLOY	ANODIC OXIDE COATING
3	ALUMINIUM ALLOY	ANODIC OXIDE COATING	10	STAINLESS STEEL	
2	BRASS	CHROME PLATING	9	PPS RESIN	COLOR:BLACK
1	ZINC DIECAST	CHROME PLATING	8	NBR RUBBER	COLOR:BLACK

NO.	MATERIAL	FINISH	REMARKS	NO.	MATERIAL	FINISH	REMARKS
-----	----------	--------	---------	-----	----------	--------	---------

UNITS	SCALE	COUNT	DESCRIPTION OF REVISIONS	DESIGNED	CHECKED	DATE
mm	2 : 1	1				

APPROVED	MT. SHIBUTANI	18.03.28	DRAWING	EDC-176258-31-00
CHECKED	MT. SHIBUTANI	18.03.28	PART	MF10S-WP6C02-0200(31)
DESIGNED	SI. MATSUMOTO	18.03.28	NO.	
DRAWN	SR. TOYOKAWA	18.03.28	CODE	CL709-0525-9-31