



Chipsmall Limited consists of a professional team with an average of over 10 year of expertise in the distribution of electronic components. Based in Hongkong, we have already established firm and mutual-benefit business relationships with customers from,Europe,America and south Asia,supplying obsolete and hard-to-find components to meet their specific needs.

With the principle of “Quality Parts,Customers Priority,Honest Operation,and Considerate Service”,our business mainly focus on the distribution of electronic components. Line cards we deal with include Microchip,ALPS,ROHM,Xilinx,Pulse,ON,Everlight and Freescale. Main products comprise IC,Modules,Potentiometer,IC Socket,Relay,Connector.Our parts cover such applications as commercial,industrial, and automotives areas.

We are looking forward to setting up business relationship with you and hope to provide you with the best service and solution. Let us make a better world for our industry!



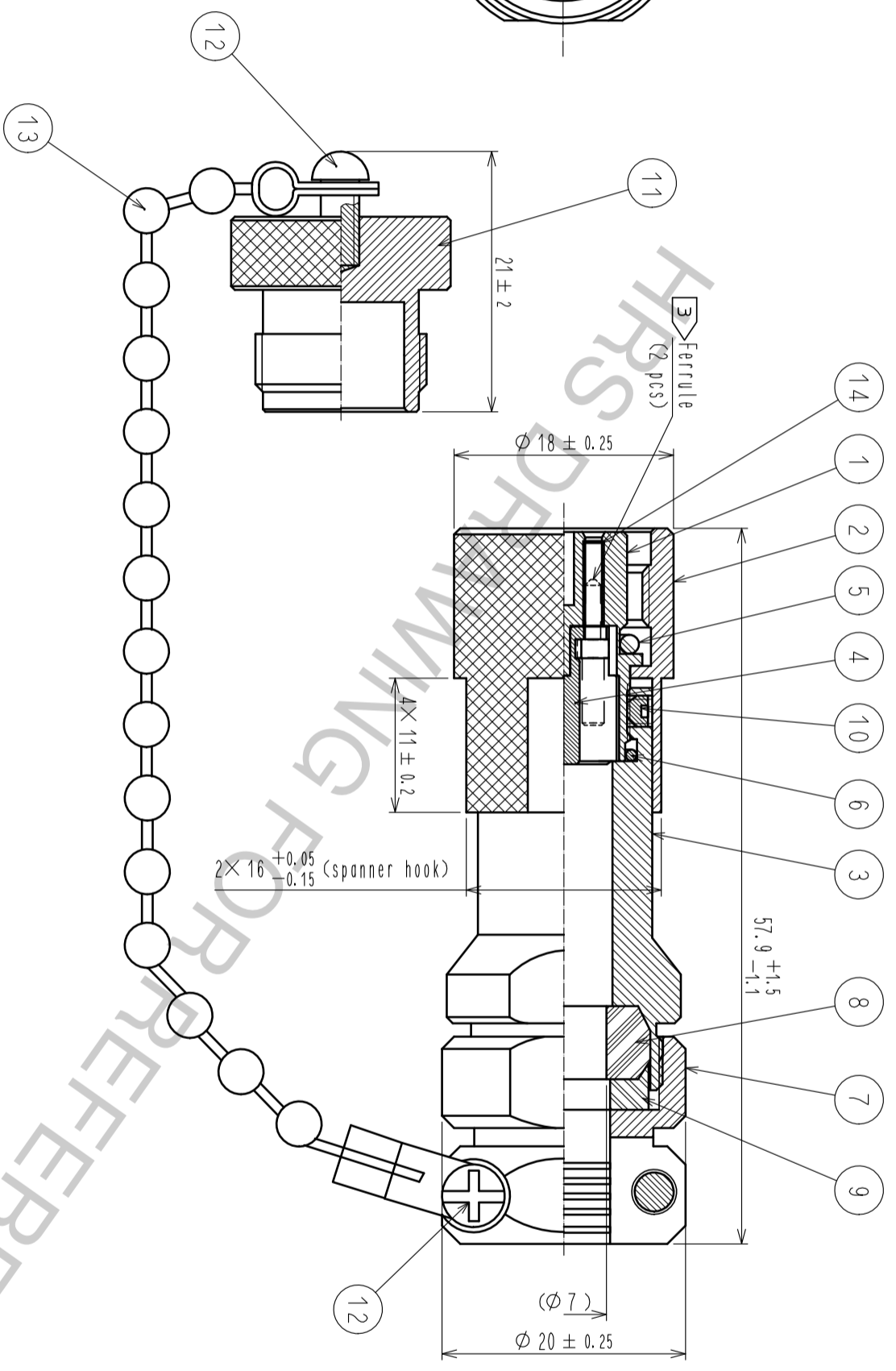
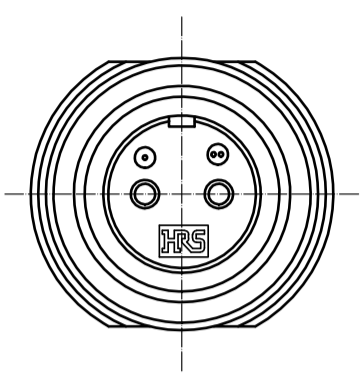
## Contact us

Tel: +86-755-8981 8866 Fax: +86-755-8427 6832

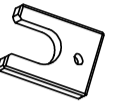
Email & Skype: info@chipsmall.com Web: www.chipsmall.com

Address: A1208, Overseas Decoration Building, #122 Zhenhua RD., Futian, Shenzhen, China





NOTE 1. The procedure of cable assemblies would be confirm.  
 2. When this plug is mated with a MF10S receptacle,  
 the clamp torque of the part No. ① should be 1.5 to 3 N·m.  
 Following MF10-T1 can be used as simple  
 substitution of a torque wrench.

| EXCLUSIVE PLASTIC SPANNER   | PART NO. | CODE NO.     |
|---|----------|--------------|
|  | MF10-T1  | CL709-0205-B |

③ The ferrule parts are not contained.  
 Please use the 'standard MU ferrule' chosen from  
 the outer diameter of the optical fiber.

| NO. | MATERIAL        | FINISH . REMARKS     | NO. | MATERIAL        | FINISH . REMARKS     |
|-----|-----------------|----------------------|-----|-----------------|----------------------|
| 1   | ZINC DIECAST    | CHROME PLATING       | 8   | NBR RUBBER      | COLOR:BLACK          |
| 2   | BRASS           | CHROME PLATING       | 9   | PPS RESIN       | COLOR:BLACK          |
| 3   | ALUMINIUM ALLOY | ANODIC OXIDE COATING | 10  | STAINLESS STEEL | COLOR:BLACK          |
| 4   | ZINC DIECAST    | NICKEL PLATING       | 11  | ALUMINIUM ALLOY | ANODIC OXIDE COATING |
| 5   | NBR RUBBER      | COLOR:BLACK          | 12  | STAINLESS STEEL | NYELOCK              |
| 6   | NBR RUBBER      | COLOR:BLACK          | 13  | STAINLESS STEEL | NYELOCK              |
| 7   | BRASS           | CHROME PLATING       | 14  | ZIRCONIA        | NYELOCK              |

| UNITS                    | SCALE | COUNT | DESCRIPTION OF REVISIONS       | DESIGNED | CHECKED | DATE |
|--------------------------|-------|-------|--------------------------------|----------|---------|------|
| mm                       | 2 : 1 |       |                                |          |         |      |
| APPROVED : MT. SHIBUTANI |       |       | DRAWING NO. EDC-178122-31-00   |          |         |      |
| CHECKED : FS. YOSHIDA    |       |       | PART NO. MF10S-WP7C50-0200(31) |          |         |      |
| DESIGNED : TY. SATO      |       |       | CODE CL709-0211-0-31           |          |         |      |
| DRAWN : MK. INOUE        |       |       | DATE 18.02.01                  |          |         |      |