



Chipsmall Limited consists of a professional team with an average of over 10 year of expertise in the distribution of electronic components. Based in Hongkong, we have already established firm and mutual-benefit business relationships with customers from,Europe,America and south Asia,supplying obsolete and hard-to-find components to meet their specific needs.

With the principle of "Quality Parts,Customers Priority,Honest Operation,and Considerate Service",our business mainly focus on the distribution of electronic components. Line cards we deal with include Microchip,ALPS,ROHM,Xilinx,Pulse,ON,Everlight and Freescale. Main products comprise IC,Modules,Potentiometer,IC Socket,Relay,Connector.Our parts cover such applications as commercial,industrial, and automotives areas.

We are looking forward to setting up business relationship with you and hope to provide you with the best service and solution. Let us make a better world for our industry!



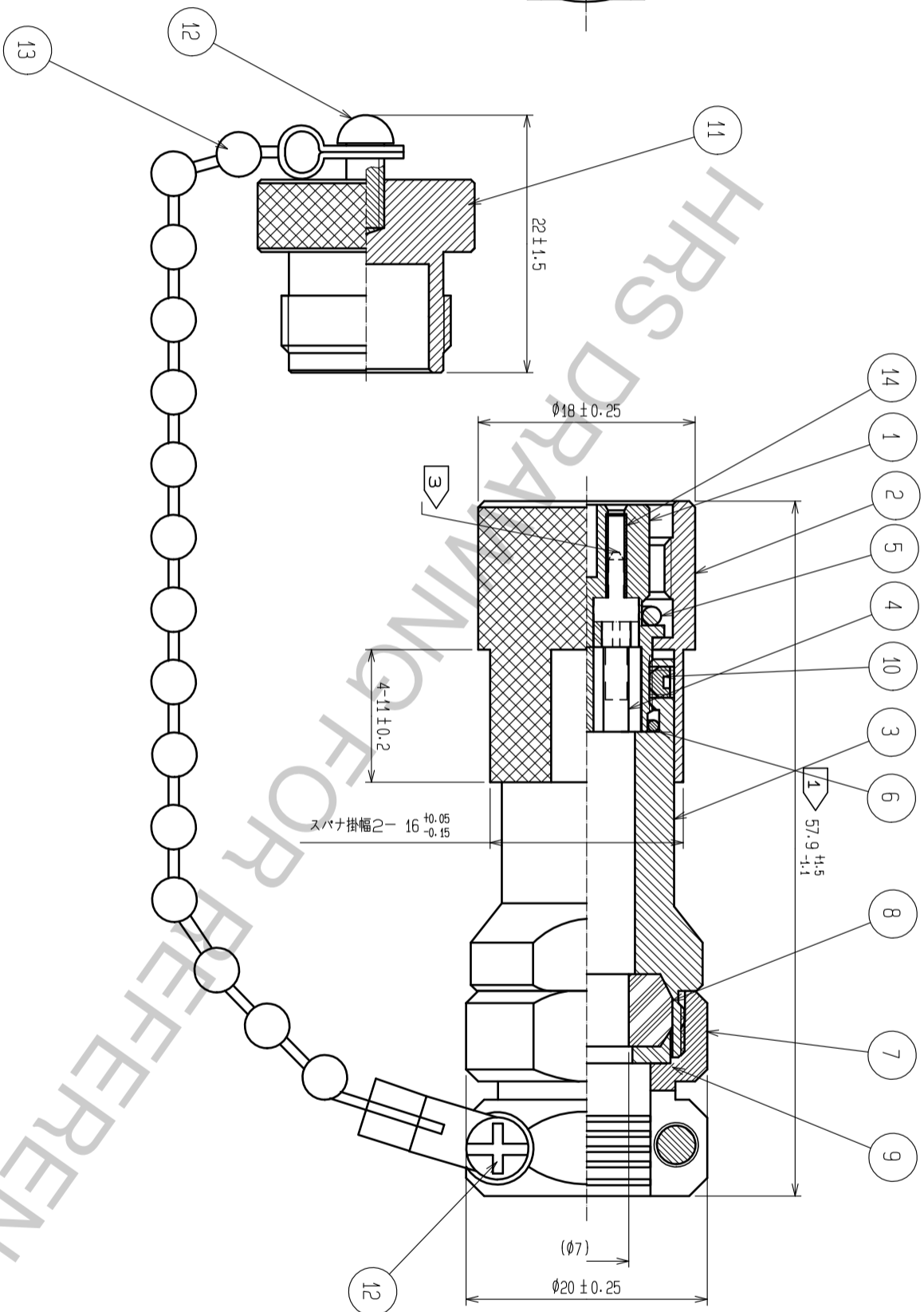
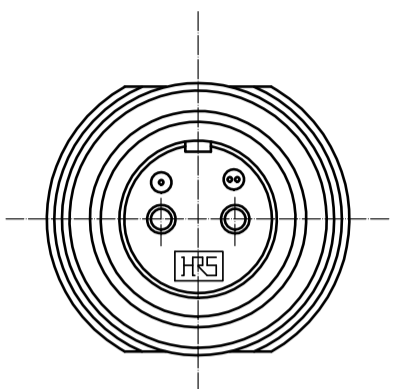
Contact us

Tel: +86-755-8981 8866 Fax: +86-755-8427 6832

Email & Skype: info@chipsmall.com Web: www.chipsmall.com


Address: A1208, Overseas Decoration Building, #122 Zhenhua RD., Futian, Shenzhen, China





NOTE ① THIS DIMENSION SHOWS AFTER ASSEMBLING.

② THE CLAMP TORQUE OF REF. ② TO BE 1.5~3.0N・m.

EXCLUSIVE PLASTIC SPANNER	PART NO.	CODE NO.
	MF10-T1	CL709-0205-B

③ THIS PART IS NOT CONTAINED. PLEASE USE AN OPTIONAL
 SIMPLEX SIMPLIFIED PLUG(NON-B00T).

NO.	MATERIAL	FINISH	REMARKS	NO.	MATERIAL	FINISH	REMARKS
7	BRASS	NICKEL PLATING		14	ZIRCONIA		
6	SYNTHETIC RUBBER			13	STAINLESS STEEL		
5	SYNTHETIC RUBBER			12	STAINLESS STEEL	NYELOCK	
4	SYNTHETIC RESIN			11	ALUMINIUM ALLOY	ANODIC OXIDE COATING	
3	BRASS	NICKEL PLATING		10	STAINLESS STEEL		
2	BRASS	NICKEL PLATING		9	SYNTHETIC RESIN		
1	ZINC DIECAST	NICKEL PLATING		8	SYNTHETIC RUBBER		

UNITS	SCALE	COUNT	DESCRIPTION OF REVISIONS	DESIGNED	CHECKED	DATE
mm	2 : 1					

APPROVED	DESIGNED	DRAWN	DATE	DRAWING NO.	PART NO.	CODE
MT. SHIBUTANI	F.S. YOSHIDA	MK. INOUE	18.02.02	EDC-176532-31-00	MF10S-WPNTC01-0200(31)	CL709-0544-3-31