



Chipsmall Limited consists of a professional team with an average of over 10 year of expertise in the distribution of electronic components. Based in Hongkong, we have already established firm and mutual-benefit business relationships with customers from,Europe,America and south Asia,supplying obsolete and hard-to-find components to meet their specific needs.

With the principle of “Quality Parts,Customers Priority,Honest Operation,and Considerate Service”,our business mainly focus on the distribution of electronic components. Line cards we deal with include Microchip,ALPS,ROHM,Xilinx,Pulse,ON,Everlight and Freescale. Main products comprise IC,Modules,Potentiometer,IC Socket,Relay,Connector.Our parts cover such applications as commercial,industrial, and automotives areas.

We are looking forward to setting up business relationship with you and hope to provide you with the best service and solution. Let us make a better world for our industry!



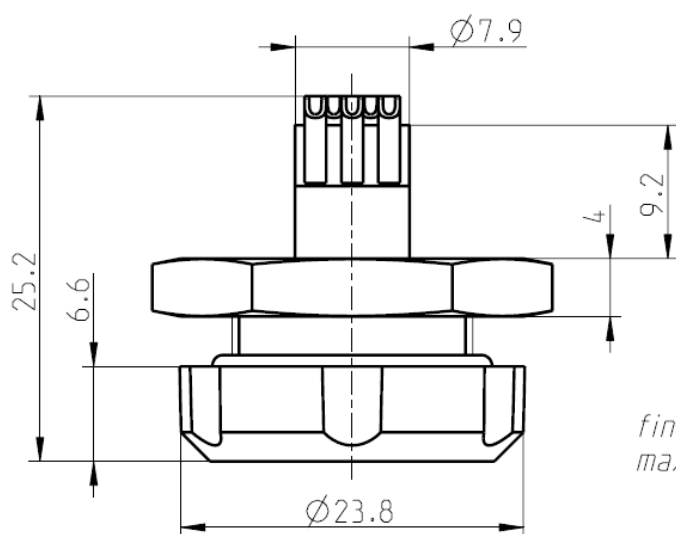
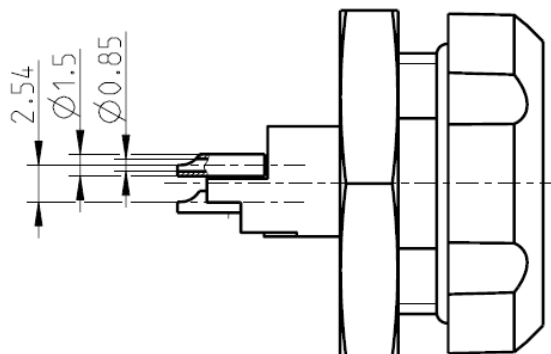
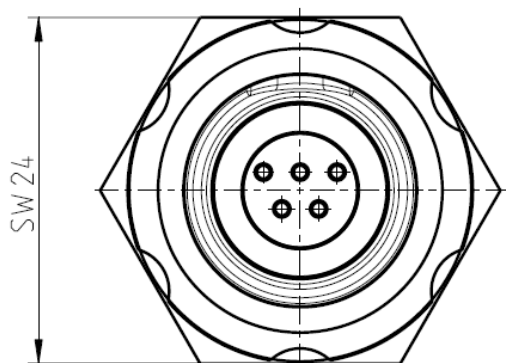
Contact us

Tel: +86-755-8981 8866 Fax: +86-755-8427 6832

Email & Skype: info@chipsmall.com Web: www.chipsmall.com

Address: A1208, Overseas Decoration Building, #122 Zhenhua RD., Futian, Shenzhen, China





*final state
max. housing thickness: 3*

All dimensions are in mm; tolerances according to ISO 2768 m-H

Interface

According to MF2S113-199L

Documents

Panel piercing MB_401

Dieses Dokument ist urheberrechtlich geschützt • This document is protected by copyright • Rosenberger Hochfrequenztechnik GmbH & Co. KG

RF_35/05.10/6.0

Material and plating

Connector parts

Contact Pins
 Insulator
 Nut
 Mounting nut
 Gasket
 Magnet

Material

Brass
 PA 6T/66 GF30
 PA 6.6
 PBT GF30
 VMQ
 NdFeB N52

Plating / Color

AuroDur®, gold plated
 black
 black
 black
 red
 Ni

Flammability

Connector parts

Insulator
 Assembly parts

Category

material acc. to UL94 V-0
 material acc. to UL94 V-1/V-2

Electrical data

Peak current
 Working voltage

1000mA
 max. 50V DC

Mechanical data

Mating cycles
 Disengagement force

min. 10.000
 > 10 N
 Force measured during vertical disengagement with counter connector
 south to interface

Magnetic pole

Environmental data

Temperature range
 Soldering process

-25°C to +75°C
 Magnets are loosing their magnetic properties above the temperature of 130°C
 Designed for manual solder process
 IP65 / IP67 (in vertical position)

Suitable cables

n/a

Packing

Standard
 Weight

50 pcs per box
 tbd

Safety instruction

Caution

Magnets can impact the function of pace makers and implantable cardioverter-defibrillators (e.g. actuation of reed switch). Keep a minimum distance of 0.5 m (50 cm) between the magnetic connector and the implanted devices to prevent malfunction and danger to health.

While the information has been carefully compiled to the best of our knowledge, nothing is intended as representation or warranty on our part and no statement herein shall be construed as recommendation to infringe existing patents. In the effort to improve our products, we reserve the right to make changes judged to be necessary.

Draft	Date	Approved	Date	Rev.	Engineering change number	Name	Date
G. Lapper	22.10.2012	G. Lapper	13.02.14	200	14-v098	J. Ressler	12.02.14

Rosenberger Hochfrequenztechnik GmbH & Co. KG P.O.Box 1260 D-84526 Tittmoning Germany www.rosenberger.de				Tel. : +49 8684 18-0 Fax : +49 8684 18-499 Email : info@rosenberger.de		Page 2 / 2	
--	--	--	--	---	--	---------------	--