



Chipsmall Limited consists of a professional team with an average of over 10 year of expertise in the distribution of electronic components. Based in Hongkong, we have already established firm and mutual-benefit business relationships with customers from,Europe,America and south Asia,supplying obsolete and hard-to-find components to meet their specific needs.

With the principle of “Quality Parts,Customers Priority,Honest Operation,and Considerate Service”,our business mainly focus on the distribution of electronic components. Line cards we deal with include Microchip,ALPS,ROHM,Xilinx,Pulse,ON,Everlight and Freescale. Main products comprise IC,Modules,Potentiometer,IC Socket,Relay,Connector.Our parts cover such applications as commercial,industrial, and automotives areas.

We are looking forward to setting up business relationship with you and hope to provide you with the best service and solution. Let us make a better world for our industry!



## Contact us

Tel: +86-755-8981 8866 Fax: +86-755-8427 6832

Email & Skype: info@chipsmall.com Web: www.chipsmall.com

Address: A1208, Overseas Decoration Building, #122 Zhenhua RD., Futian, Shenzhen, China



## High Voltage MIL-COTS Input Filter Module

### Features & Benefits

- 270V Nominal input
- 99% efficiency
- EMI filtering
  - MIL-STD-461E/F, selected CE and CS tests
- Input Transient protection
  - MIL-STD-704F  
Normal and Abnormal Transients
- Environmental qualification
  - MIL-STD-810
  - MIL-STD-202
- Low M grade temperature rating, providing operation down to -55°C
- Output power up to 640W
- Available in chassis and PCB mount
- Small size
  - 1.76" x 1.40" x 0.36"  
(44.6mm x 35.5mm x 9.2mm)

### Typical Applications

- Defense
- Aerospace

### Compatible Products

- High input voltage DCM in a VIA Package
- High input voltage ChiP\* DCM

### Product Description

The MFM DCM Filter is a DC front-end module that provides EMI filtering and transient protection. The MFM DCM Filter enables designers using Vicor's 270V nominal input voltage VIA or ChiP\* modules to meet conducted emission/conducted susceptibility per MIL-STD-461E/F; and input transients per MIL-STD-704F. The MFM DCM Filter accepts an input voltage of 160 – 420V<sub>DC</sub> (270V nominal input) and delivers output power up to 640W.



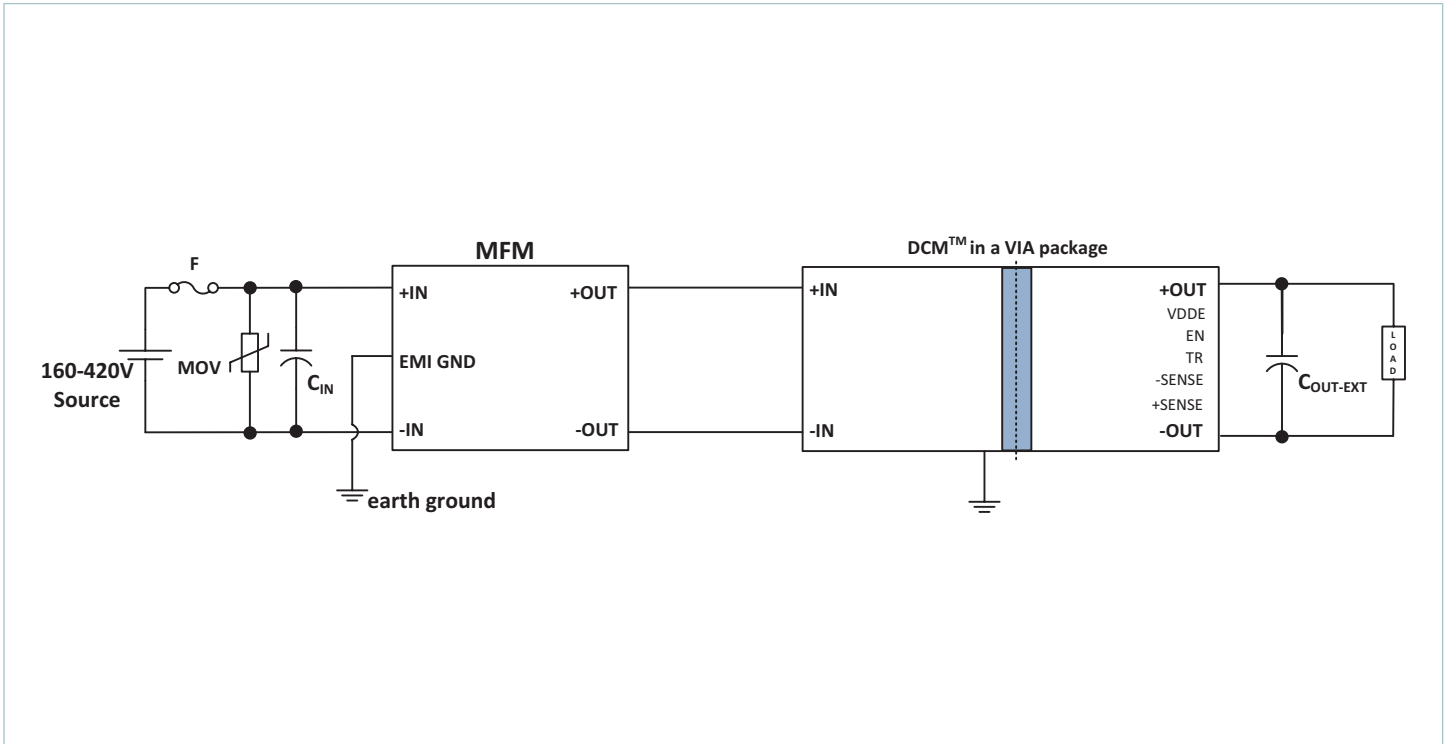
Size:  
1.76 x 1.40 x 0.36in  
44.6 x 35.5 x 9.2mm

\*Additional components are required for EMI when used with ChiP modules.

### Part Ordering Information

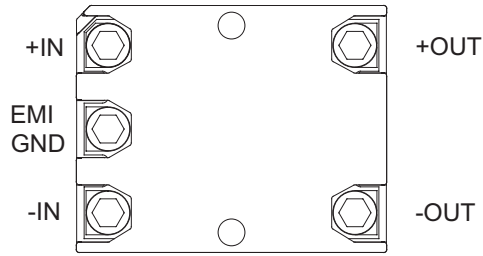
Product Function	Package Length	Package Width	Package Type	Max High Side Voltage	High Side Voltage Range Ratio	Max Low Side Voltage	Max Low Side Current	Product Grade (Case Temperature)	Option Field
MFM	17	14	x	D2	K	D2	F4	y	zz
MFM = MIL-COTS Input Filter Module	Length in Inches x 10	Width in Inches x 10	B = Board VIA V = Chassis VIA	Internal Reference			M = -55 to 100°C	00 = Chassis 04 = Short Pin 08 = Long Pin	

Typical Application

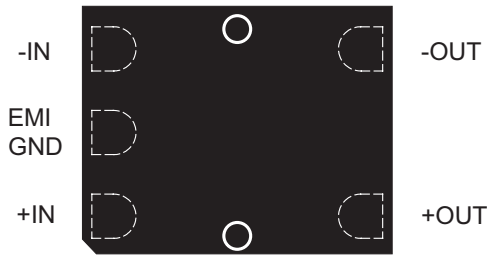


DCM in a VIA package with a MFM input filter, to meet the MIL-STD-461E/F requirements

Pin Configuration



MFM Filter in a VIA Package - Chassis (Lug) Mount - Terminals Up



MFM Filter in a VIA Package - PCB Mount - Pins Down

Note: These Pin drawings are not to scale.

Pin Descriptions

Signal Name	Type	Function
+IN	INPUT POWER	Positive input power terminal
-IN	INPUT POWER RETURN	Negative input power terminal
EMI GND	EMI GROUND	EMI ground terminal
+OUT	OUTPUT POWER	Positive output power terminal
-OUT	OUTPUT POWER RETURN	Negative output power terminal

## Absolute Maximum Ratings

The absolute maximum ratings below are stress ratings only. Operation at or beyond these maximum ratings can cause permanent damage to the device. Electrical specifications do not apply when operating beyond rated operating conditions.

Parameter	Comments	Min	Max	Unit
Input Voltage (+IN to -IN)		-0.5	460.0	V
Output Voltage (+Out to -Out)		-0.5	460.0	V
Dielectric withstand (Input/Output to EMI GND/Case)			2121	V <sub>DC</sub>
Storage Temperature	M-Grade	-65	125	°C
Internal Operating Temperature	M-Grade	-55	100	°C
Average Output Current			4	A
Input/Output pin torque and mounting torque			4 (0.45)	in-lbs (N-m)

## Electrical Specifications

Specifications apply over all line and load conditions, unless otherwise noted; **boldface** specifications apply over the temperature range of  $-55^{\circ}\text{C} \leq T_{\text{CASE}} \leq 100^{\circ}\text{C}$  (M-Grade); all other specifications are at  $T_{\text{CASE}} = 25^{\circ}\text{C}$  unless otherwise noted.

Attribute	Symbol	Conditions / Notes	Min	Typ	Max	Unit
<b>Power Input / Output Specification</b>						
Input voltage range	V <sub>IN</sub>	Continuous operation	160	270	420	V
Maximum output current*	I <sub>OUT_MAX</sub>	Continuous, at V <sub>OUT</sub> = 160V (I <sub>OUT</sub> = P <sub>OUT</sub> /V <sub>IN</sub> )			4	A
Rated output power*	P <sub>OUT</sub>	Continuous, over all line conditions			640	W
Internal voltage drop		@270V, 2.37A, 100°C baseplate			<b>0.80</b>	V <sub>DC</sub>
Efficiency	η	Full load, low line, high temperature	<b>99.4</b>	99.6	99	%
		Full load, nominal line, high temperature	<b>99.7</b>	99.8		%
		Full load, high line, high temperature	<b>99.8</b>	99.9		%

\* One MFM for each DCM even if the total power of the DCM is below P<sub>OUT</sub> maximum value.

EMI/EMC

Standard	Test Procedure	Notes
<b>MIL-STD-461E/F</b>		
Conducted Emmisions	CE101	Figure CE101-4, Navy ASW & Army Aircraft, Curve #1 (above 28V <sub>DC</sub> )
	CE102	Figure CE102-1, Basic curve + 10dB limit relaxation for all applications
Conducted Susceptibility	CS101	Figure CS101, Curve #1, for all applications (above 28V <sub>DC</sub> )
<b>MIL-HDBK-704-7</b>		
Transient Immunity	MIL-STD-704F normal transients	From table HDC105-III: Overvoltage 330V <sub>DC</sub> for 20msec duration, Undervoltage 200V <sub>DC</sub> for 50msec duration
	MIL-STD-704F abnormal transients	From table HDC302-III: Overvoltage 350V <sub>DC</sub> for 50msec duration, Undervoltage 180V <sub>DC</sub> for 50msec duration

Typical Characteristics

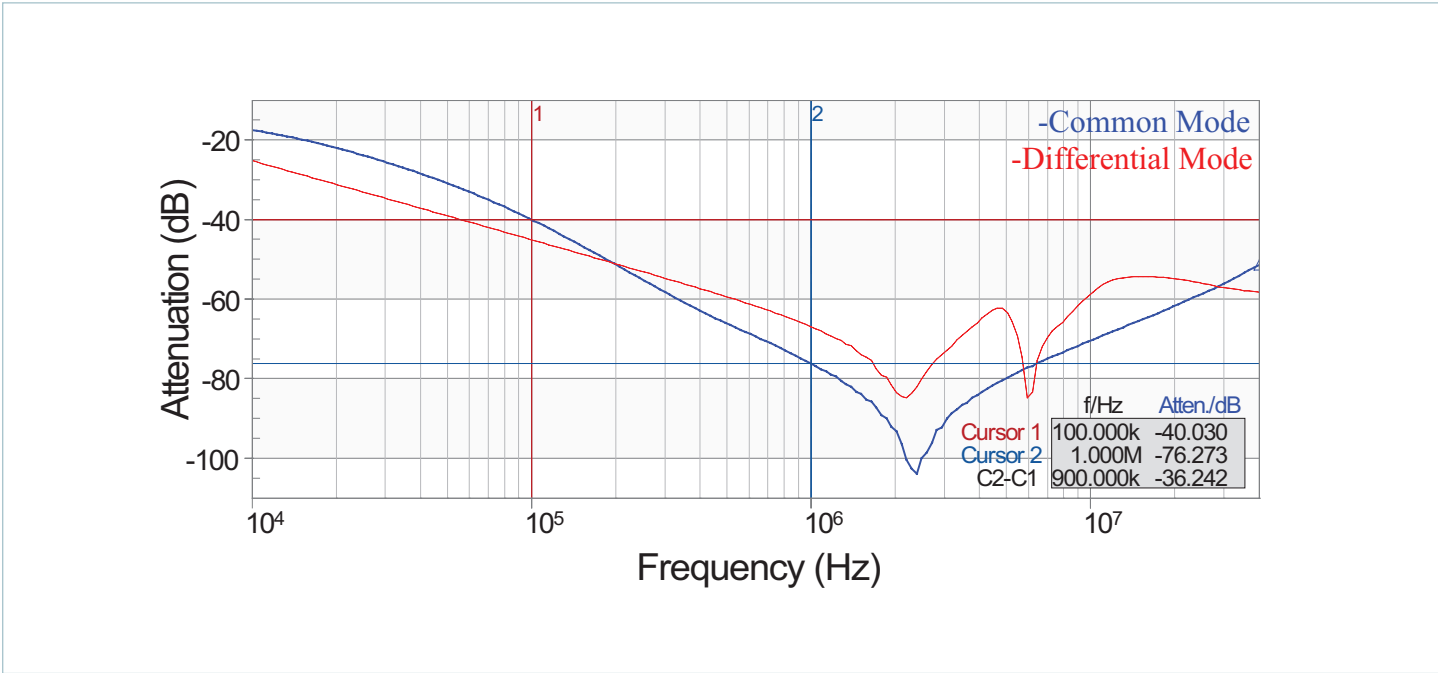


Figure 1 — Attenuation (dB) vs. Frequency (Hz), input leads are terminated with LISN impedances 25Ω for common mode, 100Ω for differential mode

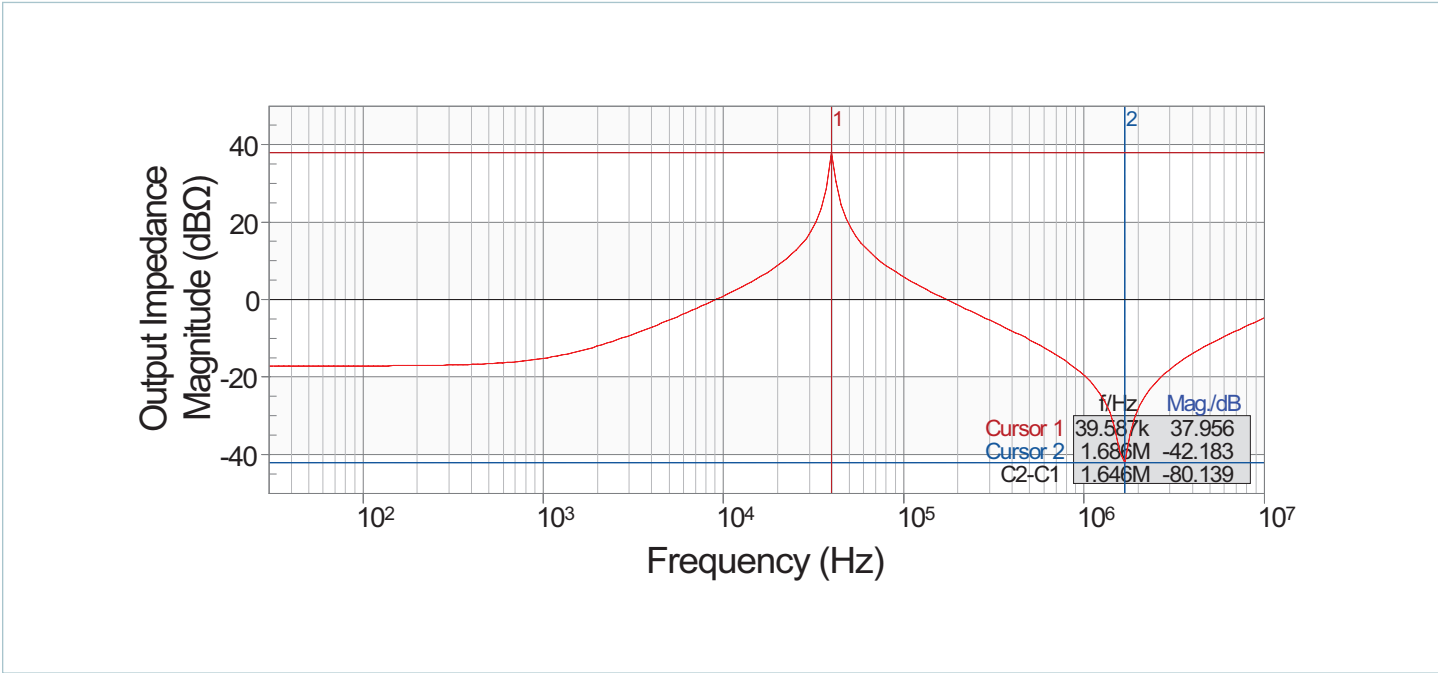


Figure 2 — Output Impedance (dBΩ) vs. Frequency (Hz) plot looking back into the output terminals of the MFM with shorted input terminals

Typical Conducted Emissions

CE101 peak scans with MFM1714VD2KD2F4M00 and DCM3714VD2K31E0T01, -OUT connected to GND

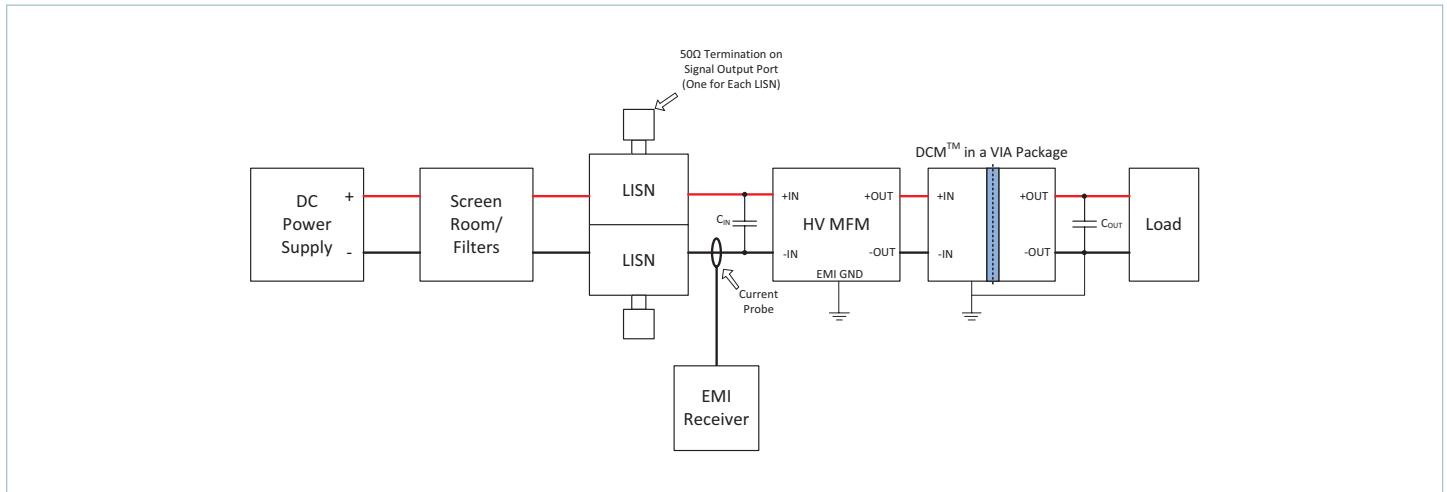


Figure 3 — A typical test setup for conducted emissions CE101 is shown above. A current probe is used to measure and plot the variations in the current through the RED and BLACK leads at various load conditions.

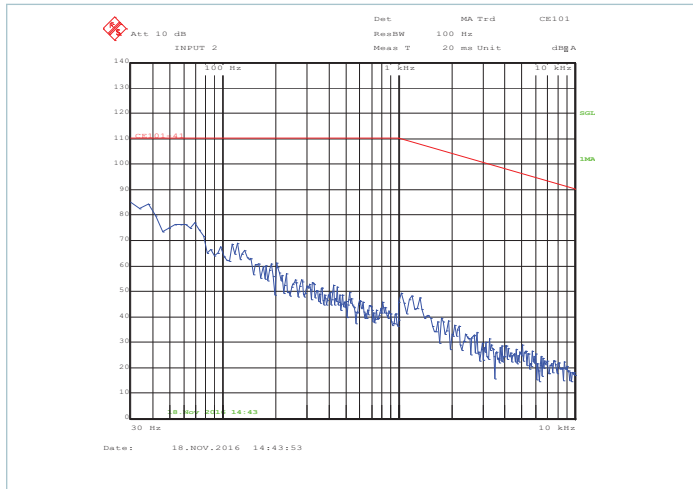


Figure 4 — Peak scan for the RED lead with  $C_{IN} = 100\mu F$ ,  $C_{OUT} = 2000\mu F$ , 0% load

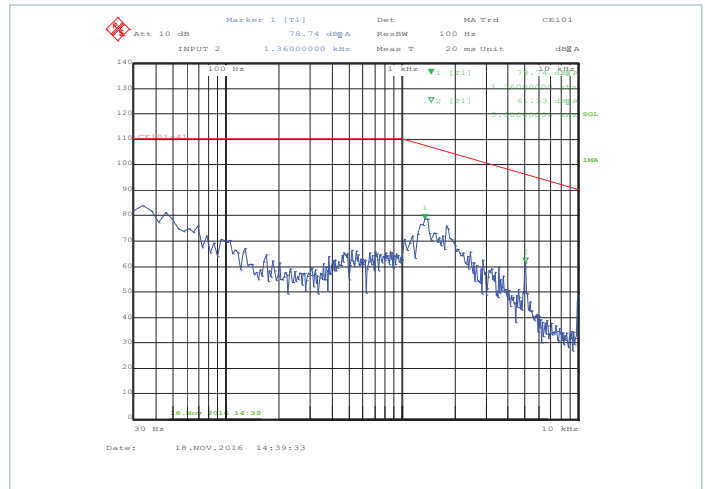


Figure 5 — Peak scan for the RED lead with  $C_{IN} = 100\mu F$ ,  $C_{OUT} = 2000\mu F$ , 100% load

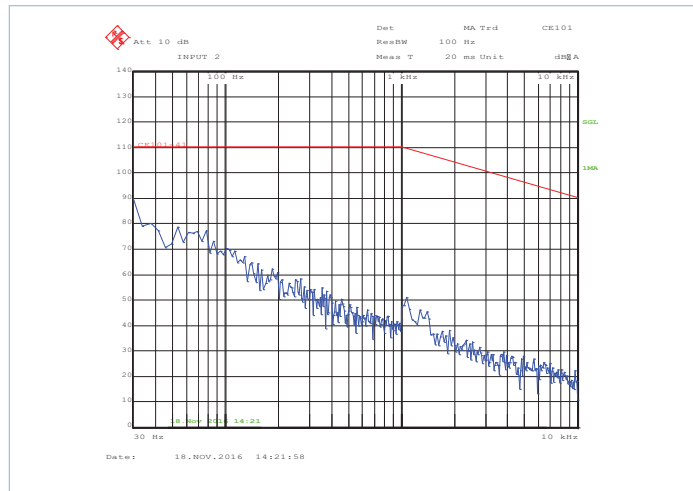


Figure 6 — Peak scan for the BLACK lead with  $C_{IN} = 1100\mu F$ ,  $C_{OUT} = 2000\mu F$ , 0% load

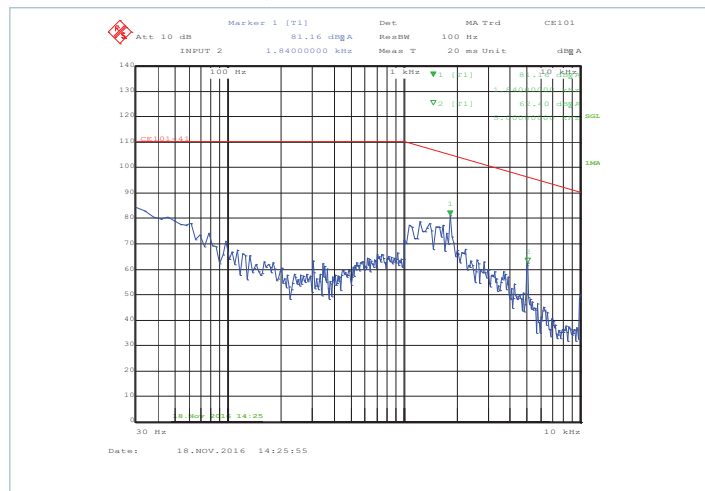


Figure 7 — Peak scan for the BLACK lead with  $C_{IN} = 100\mu F$ ,  $C_{OUT} = 2000\mu F$ , 100% load



Typical Conducted Emissions (Cont.)

CE102 peak scans with MFM1714VD2KD2F4M00 and DCM3714VD2K31E0T01, -OUT connected to GND

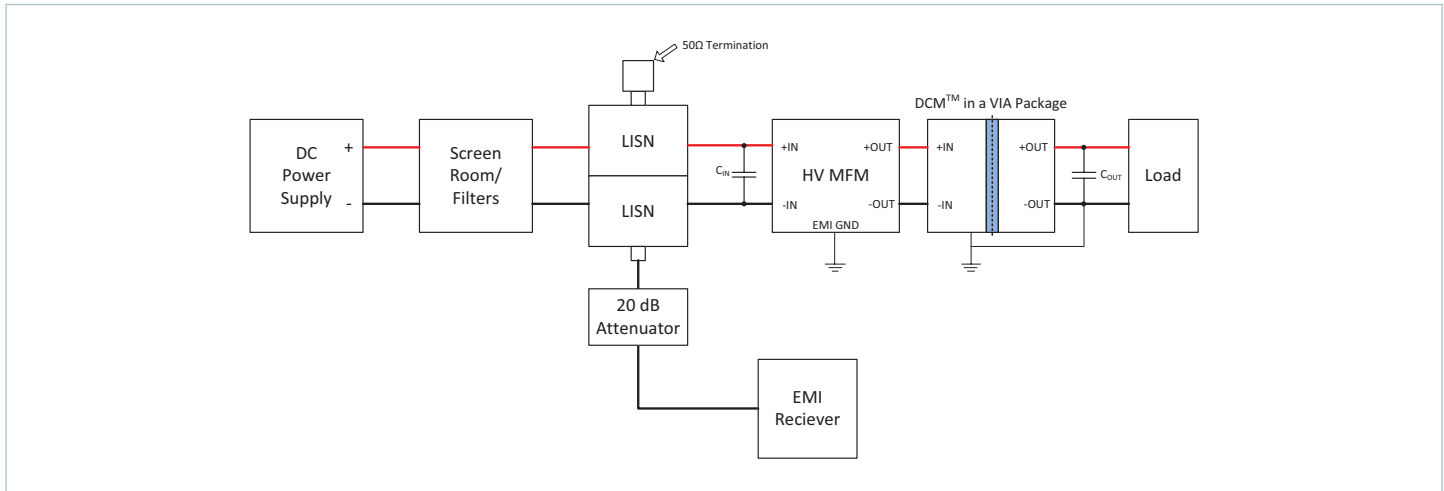


Figure 8 — A typical test setup for conducted emissions CE102 is shown above. A 50Ω termination is used for LISN and voltage across the RED and BLACK leads are measured at various load conditions.

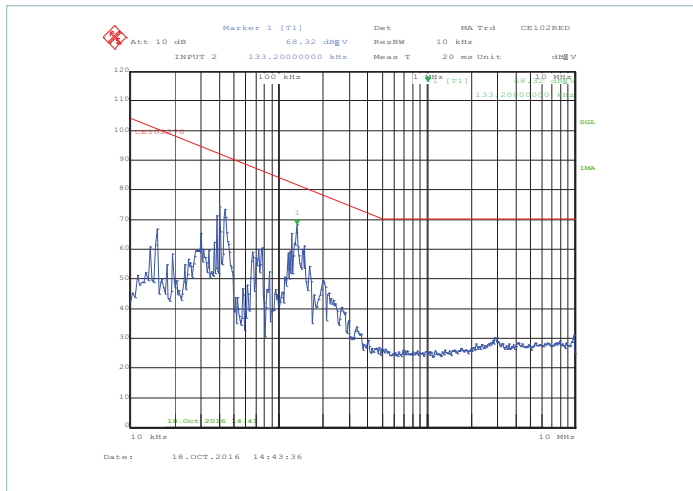


Figure 9 — Peak scan for the RED lead with  $C_{IN} = 100\mu F$ ,  $C_{OUT} = 2000\mu F$ , 0% load

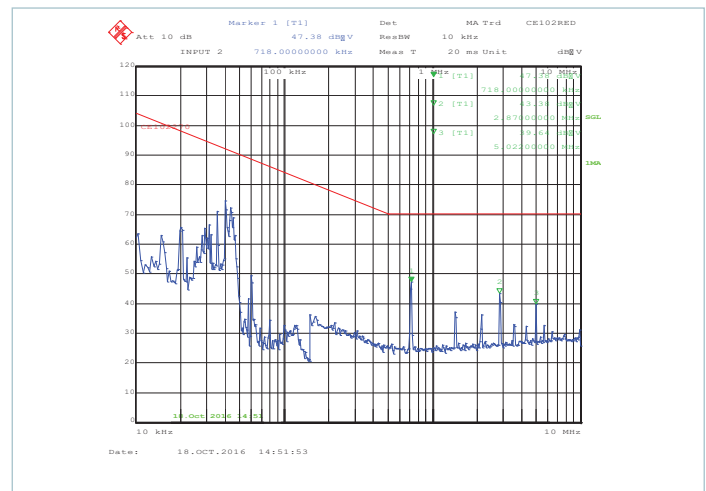


Figure 10 — Peak scan for the RED lead with  $C_{IN} = 100\mu F$ ,  $C_{OUT} = 2000\mu F$ , 100% load

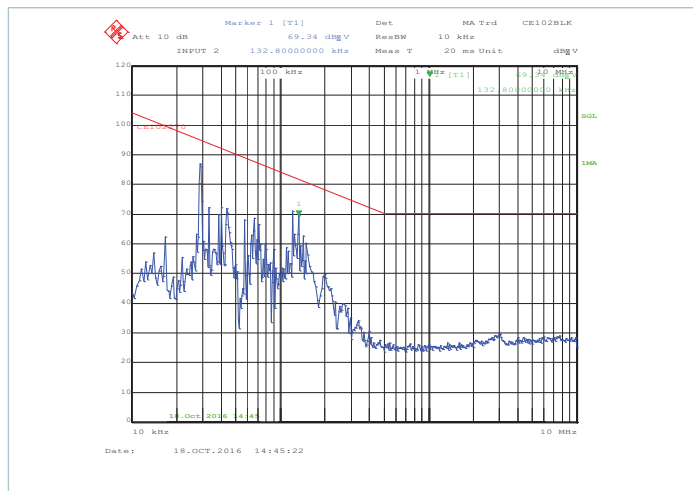


Figure 11 — Peak scan for the BLACK lead with  $C_{IN} = 1100\mu F$ ,  $C_{OUT} = 2000\mu F$ , 0% load

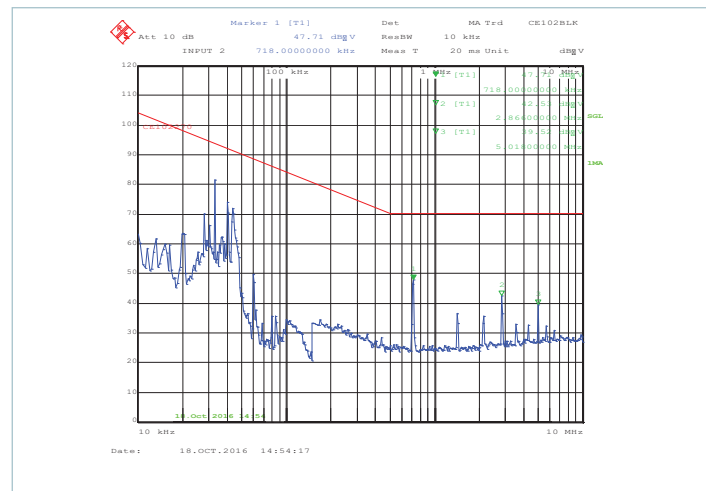


Figure 12 — Peak scan for the BLACK lead with  $C_{IN} = 100\mu F$ ,  $C_{OUT} = 2000\mu F$ , 100% load

## General Characteristics

Specifications apply over all line and load conditions,  $T_j = 25^\circ\text{C}$ , unless otherwise noted; **boldface** specifications apply over the temperature range of the specified product grade.

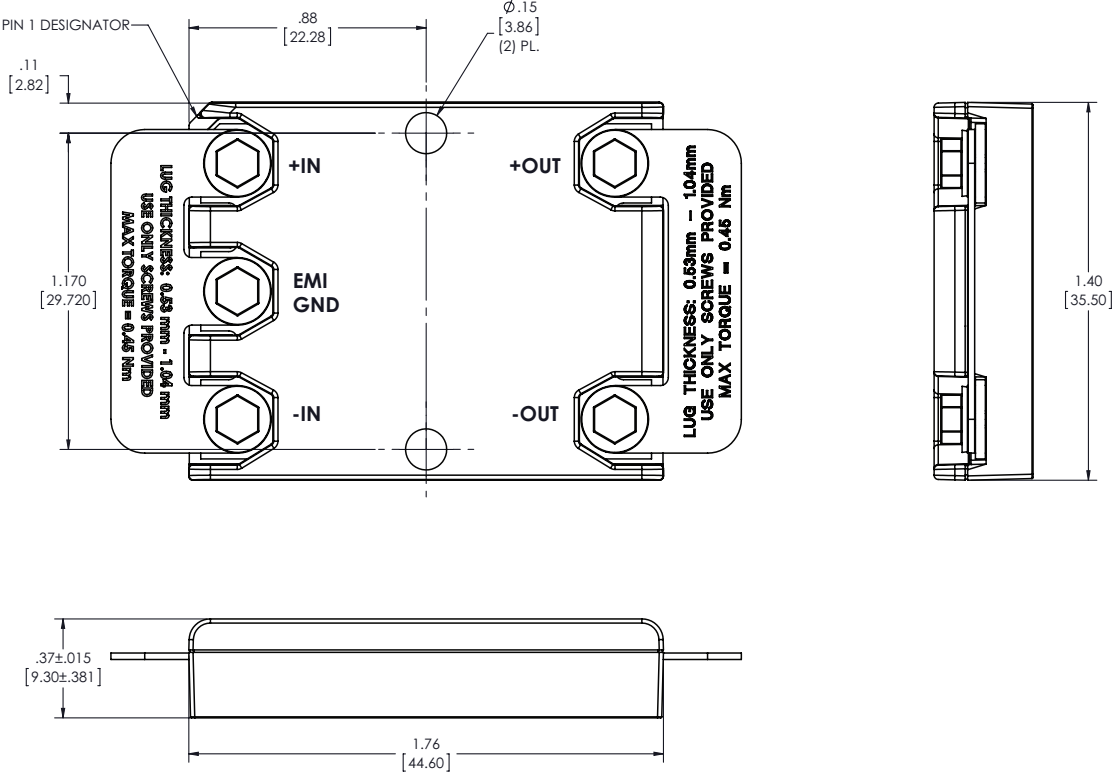
Attribute	Symbol	Conditions / Notes	Min	Typ	Max	Unit
<b>Mechanical</b>						
Length	L			44.6 / [1.76]		mm / [in]
Width	W			35.5 / [1.39]		mm / [in]
Height	H			9.22 / [0.36]		mm / [in]
Volume	Vol	Without heatsink		14.5 / [0.88]		cm <sup>3</sup> / [in <sup>3</sup> ]
Mass (Weight)	M			30 / [1.06]		g / [oz]
Pin Material		C145 copper, 1/2 hard				
Underplate		Low stress ductile Nickel	50		100	$\mu\text{in}$
Pin Finish		Palladium	0.8		6	$\mu\text{in}$
		Soft Gold	0.12		2	
Flatness					<0.25 / [0.010]	mm / [in]
<b>Thermal</b>						
Internal operating temperature*		M-Grade	-55		125	$^\circ\text{C}$
Case temperature		M-Grade	-55		100	
Thermal resistance, Junction to case bottom	$\phi_{\text{INT\_BOT}}$			6.5		$^\circ\text{C/W}$
<b>Soldering</b>						
Temperature		See: <a href="#">AN:401 PCB Mount VIA Soldering Guidelines</a>				
<b>Reliability</b>						
MTBF		MIL-HDBK-217FN2 Parts Count - 25 $^\circ\text{C}$ Ground Benign, Stationary, Indoors / Computer	2.5			MHrs
<b>Safety</b>						
Agency approvals/standards		CE marked for Low Voltage Directive (LVD) 2014/35/EU, EN60950-1				
Dielectric withstand		Input / Output to EMI GND/Case	2121			$V_{\text{DC}}$

\* Internal operating temperatures will be kept to acceptable limits if the lower housing of the unit is mounted to a metal plate (coldplate or heatsink) with thermal grease that is kept to 100 $^\circ\text{C}$  or less. If the unit is not mounted to a metal plate than a thermocouple on the bottom housing located midway between the two mounting holes needs to be kept to 100 $^\circ\text{C}$  or less.

## Environmental Qualification

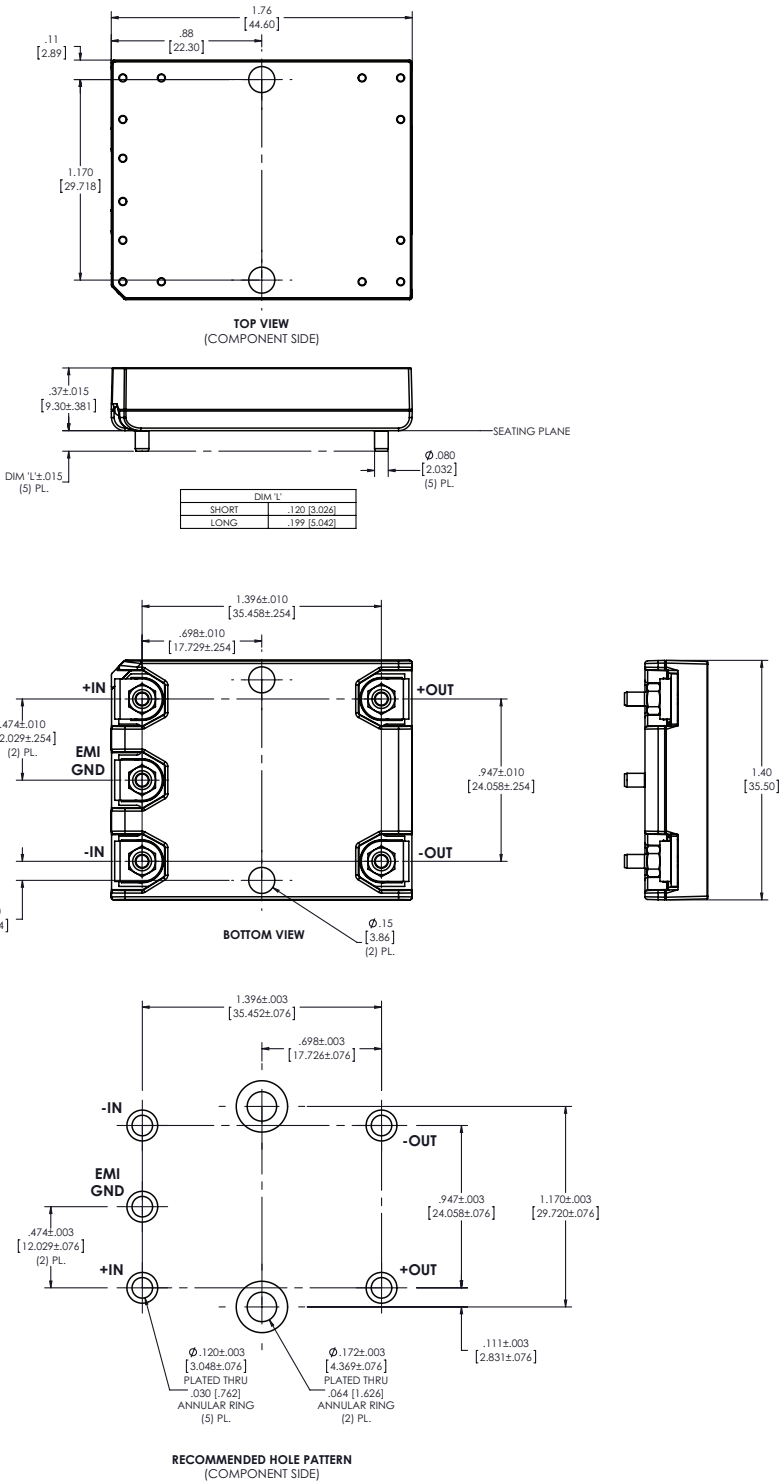
Testing Activity	Reference Standard	Test Details
HTOB-HTOL High Temperature Operating Bias/Life	JESD22-A110-B	Duration of 1000 hrs, High Line, full load, max operating temperature, Power cycled per IPC9592
TC (Temperature Cycling)	JESD22-A104D	1000 cycles -55°C to 125°C
HALT (Highly Accelerated Life Test)	DP-0266	Low Temp, High Temp, Rapid Thermal Cycling, Random Vibration Test, Combined Stress Test
THB (Temperature Humidity Bias)	JESD22-A101C	Duration of 1000 hrs, Biased, 85°C, 85%RH.
HTS (High Temperature Storage)	JESD 22-A103-D	Duration 1000 hrs , No Bias. Maximum storage temperature (125°C)
LTS (Low Temperature Storage)	JESD22-A119	Duration 1000 hrs , No Bias. Minimum storage temperature (-65°C)
Random Vibration	MIL-STD-810G	Method 514.6, Procedure I, Category 24, Mounted on QA
Mechanical Shock	MIL-STD-810G	Method 516.5, Procedure I, Environment :Functional shock 40G, Mounted on QA
Electro Static Discharge Human Body Model	JEDEC JS-001-2012	Table 2B, Class 2, ±2000V minimum
Electro Static Discharge Device Charge Model	JESD22-C101-E	Class III ±500V minimum
Free Fall	IPC9592B	IEC 60068-2-32, Freefall procedure 1
Term Strength	MIL-STD-202G	Method 211A, Test Condition A, Environment: Ambient Temperature & %Rh.
Through Hole Solderability	IPC-9592B	IPC/ECA J-STD-002 Test A (dip and look)
Salt Fog	MIL-STD-810G	Method 509.5
Fungus	MIL-STD-810G	Method 508.6
Resistance to solvents	MIL-STD-202G	Method 215K
Acceleration	MIL-STD-810G	Method 513.6 Procedure II
Altitude	MIL-STD-810G	Method 500.5 Procedure I & II
Explosive Atmosphere	MIL-STD-810G	Method 511.5 Procedure I, operational

Chassis Mount Outline Drawing



NOTE:  
 1. RoHS COMPLIANT PER CST-0001 LATEST REVISION

Board Mount Outline Drawing



Revision History

Revision	Date	Description	Page Number(s)
1.0	02/13/17	Initial release	n/a

**Vicor's comprehensive line of power solutions includes high density AC-DC and DC-DC modules and accessory components, fully configurable AC-DC and DC-DC power supplies, and complete custom power systems.**

Information furnished by Vicor is believed to be accurate and reliable. However, no responsibility is assumed by Vicor for its use. Vicor makes no representations or warranties with respect to the accuracy or completeness of the contents of this publication. Vicor reserves the right to make changes to any products, specifications, and product descriptions at any time without notice. Information published by Vicor has been checked and is believed to be accurate at the time it was printed; however, Vicor assumes no responsibility for inaccuracies. Testing and other quality controls are used to the extent Vicor deems necessary to support Vicor's product warranty. Except where mandated by government requirements, testing of all parameters of each product is not necessarily performed.

**Specifications are subject to change without notice.**

### **Vicor's Standard Terms and Conditions**

All sales are subject to Vicor's Standard Terms and Conditions of Sale, which are available on Vicor's webpage or upon request.

### **Product Warranty**

In Vicor's standard terms and conditions of sale, Vicor warrants that its products are free from non-conformity to its Standard Specifications (the "Express Limited Warranty"). This warranty is extended only to the original Buyer for the period expiring two (2) years after the date of shipment and is not transferable.

UNLESS OTHERWISE EXPRESSLY STATED IN A WRITTEN SALES AGREEMENT SIGNED BY A DULY AUTHORIZED VICOR SIGNATORY, VICOR DISCLAIMS ALL REPRESENTATIONS, LIABILITIES, AND WARRANTIES OF ANY KIND (WHETHER ARISING BY IMPLICATION OR BY OPERATION OF LAW) WITH RESPECT TO THE PRODUCTS, INCLUDING, WITHOUT LIMITATION, ANY WARRANTIES OR REPRESENTATIONS AS TO MERCHANTABILITY, FITNESS FOR PARTICULAR PURPOSE, INFRINGEMENT OF ANY PATENT, COPYRIGHT, OR OTHER INTELLECTUAL PROPERTY RIGHT, OR ANY OTHER MATTER.

This warranty does not extend to products subjected to misuse, accident, or improper application, maintenance, or storage. Vicor shall not be liable for collateral or consequential damage. Vicor disclaims any and all liability arising out of the application or use of any product or circuit and assumes no liability for applications assistance or buyer product design. Buyers are responsible for their products and applications using Vicor products and components. Prior to using or distributing any products that include Vicor components, buyers should provide adequate design, testing and operating safeguards.

Vicor will repair or replace defective products in accordance with its own best judgment. For service under this warranty, the buyer must contact Vicor to obtain a Return Material Authorization (RMA) number and shipping instructions. Products returned without prior authorization will be returned to the buyer. The buyer will pay all charges incurred in returning the product to the factory. Vicor will pay all reshipment charges if the product was defective within the terms of this warranty.

### **Life Support Policy**

VICOR'S PRODUCTS ARE NOT AUTHORIZED FOR USE AS CRITICAL COMPONENTS IN LIFE SUPPORT DEVICES OR SYSTEMS WITHOUT THE EXPRESS PRIOR WRITTEN APPROVAL OF THE CHIEF EXECUTIVE OFFICER AND GENERAL COUNSEL OF VICOR CORPORATION. As used herein, life support devices or systems are devices which (a) are intended for surgical implant into the body, or (b) support or sustain life and whose failure to perform when properly used in accordance with instructions for use provided in the labeling can be reasonably expected to result in a significant injury to the user. A critical component is any component in a life support device or system whose failure to perform can be reasonably expected to cause the failure of the life support device or system or to affect its safety or effectiveness. Per Vicor Terms and Conditions of Sale, the user of Vicor products and components in life support applications assumes all risks of such use and indemnifies Vicor against all liability and damages.

### **Intellectual Property Notice**

Vicor and its subsidiaries own Intellectual Property (including issued U.S. and Foreign Patents and pending patent applications) relating to the products described in this data sheet. No license, whether express, implied, or arising by estoppel or otherwise, to any intellectual property rights is granted by this document. Interested parties should contact Vicor's Intellectual Property Department.

The products described on this data sheet are protected by the following U.S. Patents Pending.

#### **Vicor Corporation**

25 Frontage Road  
Andover, MA, USA 01810  
Tel: 800-735-6200  
Fax: 978-475-6715

#### **email**

Customer Service: [custserv@vicorpower.com](mailto:custserv@vicorpower.com)  
Technical Support: [apps@vicorpower.com](mailto:apps@vicorpower.com)