



Chipsmall Limited consists of a professional team with an average of over 10 year of expertise in the distribution of electronic components. Based in Hongkong, we have already established firm and mutual-benefit business relationships with customers from,Europe,America and south Asia,supplying obsolete and hard-to-find components to meet their specific needs.

With the principle of “Quality Parts,Customers Priority,Honest Operation,and Considerate Service”,our business mainly focus on the distribution of electronic components. Line cards we deal with include Microchip,ALPS,ROHM,Xilinx,Pulse,ON,Everlight and Freescale. Main products comprise IC,Modules,Potentiometer,IC Socket,Relay,Connector.Our parts cover such applications as commercial,industrial, and automotives areas.

We are looking forward to setting up business relationship with you and hope to provide you with the best service and solution. Let us make a better world for our industry!



Contact us

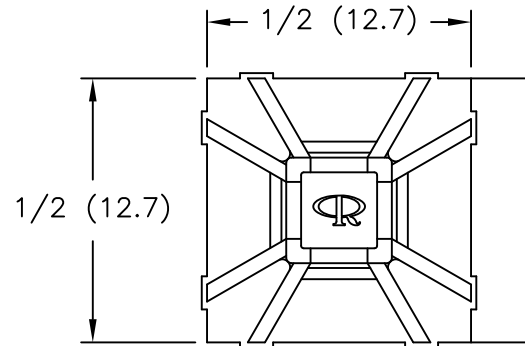
Tel: +86-755-8981 8866 Fax: +86-755-8427 6832

Email & Skype: info@chipsmall.com Web: www.chipsmall.com

Address: A1208, Overseas Decoration Building, #122 Zhenhua RD., Futian, Shenzhen, China



PART NO.	MATERIAL	COLOR	ADHESIVE
MFTH-2-01A-RT	NYLON 6/6 (RMS-01)	NATURAL	ACRYLIC TAPE (RMS-15), WHITE LINER
MFTH-2-01A1			RUBBER TAPE (RMS-102), BLUE LINER



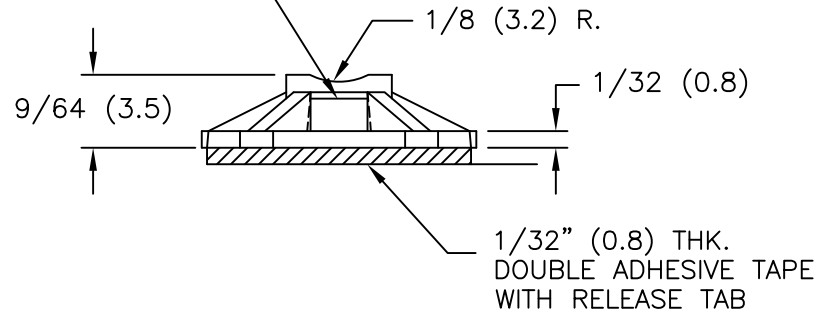
NOTES:

1. NYLON 6/6 (RMS-01),
 COLOR: NATURAL, WITHOUT TAPE,
 AVAILABLE BY SPECIAL ORDER ONLY;
 TO ORDER USE P/N: MFTH-2-01.

FLAME RETARDANT NYLON (RMS-19),
 COLOR: NATURAL,
 ACRYLIC ADHESIVE TAPE (RMS-15), WHITE LINER,
 AVAILABLE BY SPECIAL ORDER ONLY;
 TO ORDER USE P/N MFTH-2-19A-RT
 OR MFTH-2-19 (WITHOUT TAPE).

UV STABILIZED NYLON 6/6 (RMS-46),
 COLOR: BLACK,
 ACRYLIC ADHESIVE TAPE (RMS-15), WHITE LINER,
 AVAILABLE BY SPECIAL ORDER ONLY;
 RUBBER ADHESIVE TAPE (RMS-102), BLUE LINER,
 AVAILABLE BY SPECIAL ORDER ONLY;

ACCOMMODATES WIT-18 AND QTE-18 TIES



REV			TITLE: MINI-FLAT TIE HOLDER				DWG IN IN (MM)		FINAL		PRINT TYPE	
F	SEE CO 200773 FOR CHANGES	SK 04.30.12	TOLERANCES UNLESS NOTED .XX=±.010 .XXX=±.005 FRAC=±1/64 ANG=±1'	FILE #	MFTH-2	DWN:	P.B.	APP:	PART #		PRINT TYPE	
E	SEE ECN #1124 FOR CHANGES	SK 01.24.06		MAT'L:	SEE TABLE	DT:	10-19-94	DT:				SEE TABLE
D	ADDED RUBBER TAPE TO UV MAT'L NOTE	SM 12.13.01		RE:	RICHCO, INC.	RICHCO INC.		PO BOX 804238, CHICAGO, 60680 (773) 539-4060				
C	COMPLETELY RE-DRAWN & CHANGED FILE#	SM 10.18.01										
B	RUBBER TAPE (RMS-102) ADDED	JL 8.22.00										
A	MAT'L AND CABLE TIE NOTES UPDATED	J.L. 01.10.00										
REV	DESCRIPTION	ENGR DATE										