



Chipsmall Limited consists of a professional team with an average of over 10 year of expertise in the distribution of electronic components. Based in Hongkong, we have already established firm and mutual-benefit business relationships with customers from,Europe,America and south Asia,supplying obsolete and hard-to-find components to meet their specific needs.

With the principle of “Quality Parts,Customers Priority,Honest Operation,and Considerate Service”,our business mainly focus on the distribution of electronic components. Line cards we deal with include Microchip,ALPS,ROHM,Xilinx,Pulse,ON,Everlight and Freescale. Main products comprise IC,Modules,Potentiometer,IC Socket,Relay,Connector.Our parts cover such applications as commercial,industrial, and automotives areas.

We are looking forward to setting up business relationship with you and hope to provide you with the best service and solution. Let us make a better world for our industry!



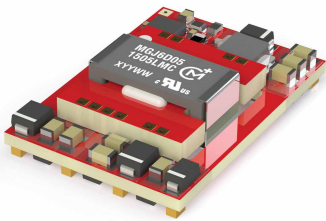
Contact us

Tel: +86-755-8981 8866 Fax: +86-755-8427 6832

Email & Skype: info@chipsmall.com Web: www.chipsmall.com

Address: A1208, Overseas Decoration Building, #122 Zhenhua RD., Futian, Shenzhen, China





FEATURES

- Patent protected
- No opto feedback
- Optimised bipolar output voltages for IGBT/ SiC & MOSFET gate drives
- Configurable dual outputs for all gate drive applications:
+15V/-5V, +15V/-10V & +20V/-5V outputs
- Reinforced insulation to UL60950 recognised
- ANSI/AAMI ES60601-1 recognition pending
- Characterised dv/dt immunity 80kV/μs at 1.6kV
- Characterised partial discharge performance
- 5.7kVDC isolation test voltage 'Hi Pot Test'
- Ultra low coupling capacitance 15pF
- DC link voltage 3kVDC
- 5V, 12V & 24V input voltages
- 105°C operating temperature

PRODUCT OVERVIEW

Offering configurable dual output voltages of +15V/-10V, +20V/-5V and +15V/-5V, the MGJ6 series of DC-DC converters is ideal for powering 'high side' and 'low side' gate drive circuits for IGBTs, Silicon and Silicon Carbide MOSFETs in bridge circuits. A choice of asymmetric output voltages allows optimum drive levels for best system efficiency and EMI. The MGJ6 series is characterised for high isolation and dv/dt requirements commonly seen in bridge circuits used in motor drives and inverters. A disable/frequency synchronisation pin simplifies EMC filter design. The MGJ6 protection features include short circuit protection and overload protection.



For full details go to
www.murata-ps.com/rohs



SELECTION GUIDE

| Order Code ¹ | Input Voltage Range | Typical Application | Output 1 | | | Output 2 | | |
|-------------------------|---------------------|---------------------|----------------------|----------------------|--------------|----------------------|----------------------|--------------|
| | | | Rated Output Voltage | Rated Output Current | Output Power | Rated Output Voltage | Rated Output Current | Output Power |
| | | | V | mA | W | V | mA | W |
| MGJ6D051510LMC | 4.5 - 9 | IGBT | +15 | 240 | 3.6 | -10 | 240 | 2.4 |
| MGJ6D121510LMC | 9 - 18 | IGBT | +15 | 240 | 3.6 | -10 | 240 | 2.4 |
| MGJ6D241510LMC | 18 - 36 | IGBT | +15 | 240 | 3.6 | -10 | 240 | 2.4 |
| MGJ6D052005LMC | 4.5 - 9 | SiC | +20 | 240 | 4.8 | -5 | 240 | 1.2 |
| MGJ6D122005LMC | 9 - 18 | SiC | +20 | 240 | 4.8 | -5 | 240 | 1.2 |
| MGJ6D242005LMC | 18 - 36 | SiC | +20 | 240 | 4.8 | -5 | 240 | 1.2 |
| MGJ6D051505LMC | 4.5 - 9 | MOSFET | +15 | 300 | 4.5 | -5 | 300 | 1.5 |
| MGJ6D121505LMC | 9 - 18 | MOSFET | +15 | 300 | 4.5 | -5 | 300 | 1.5 |
| MGJ6D241505LMC | 18 - 36 | MOSFET | +15 | 300 | 4.5 | -5 | 300 | 1.5 |

SELECTION GUIDE (Continued)

| Order Code ¹ | Input Voltage Range | Typical Application | Output 1 | | | | Output 2 | | | |
|-------------------------|---------------------|---------------------|-----------------------|-----------------------|-----------------------------------|-----------------------------------|-----------------------|-----------------------|-----------------------------------|-----------------------------------|
| | | | Load Regulation (Typ) | Load Regulation (Max) | Ripple & Noise (Typ) ² | Ripple & Noise (Max) ² | Load Regulation (Typ) | Load Regulation (Max) | Ripple & Noise (Typ) ² | Ripple & Noise (Max) ² |
| | | | % | % | mVp-p | mVp-p | % | % | mVp-p | mVp-p |
| MGJ6D051510LMC | 4.5 - 9 | IGBT | 5 | 10 | 100 | 150 | 5 | 10 | 80 | 120 |
| MGJ6D121510LMC | 9 - 18 | IGBT | 5 | 10 | 100 | 150 | 5 | 10 | 80 | 120 |
| MGJ6D241510LMC | 18 - 36 | IGBT | 5 | 10 | 100 | 150 | 5 | 10 | 80 | 120 |
| MGJ6D052005LMC | 4.5 - 9 | SiC | 5 | 10 | 100 | 150 | 5 | 10 | 80 | 120 |
| MGJ6D122005LMC | 9 - 18 | SiC | 5 | 10 | 100 | 150 | 5 | 10 | 80 | 120 |
| MGJ6D242005LMC | 18 - 36 | SiC | 5 | 10 | 100 | 150 | 5 | 10 | 80 | 120 |
| MGJ6D051505LMC | 4.5 - 9 | MOSFET | 5 | 10 | 100 | 150 | 5 | 10 | 80 | 120 |
| MGJ6D121505LMC | 9 - 18 | MOSFET | 5 | 10 | 100 | 150 | 5 | 10 | 80 | 120 |
| MGJ6D241505LMC | 18 - 36 | MOSFET | 5 | 10 | 100 | 150 | 5 | 10 | 80 | 120 |

1. Components are supplied in tape and reel packaging, please refer to package specification section. Orderable part numbers are MGJ6D051510LMC-R7 (23 pieces per reel), or MGJ6D051510LMC-R13 (92 pieces per reel).

2. See ripple & noise test method.

All specifications typical at T_a=25°C, nominal input voltage and rated output current unless otherwise specified.

SELECTION GUIDE (Continued)

| Order Code | Nominal Input Voltage | Input Current at Rated Load | Efficiency (Min) | Efficiency (Typ) | Isolation Capacitance | MTTF ¹ | |
|----------------|-----------------------|-----------------------------|------------------|------------------|-----------------------|-------------------|-----------|
| | | | | | | MIL-217 | Telcordia |
| | | | | | | kHrs | |
| V | mA | % | pF | | | | |
| MGJ6D051510LMC | 5 | 1500 | 76 | 79 | 15 | 606 | 19,029 |
| MGJ6D121510LMC | 12 | 630 | 76 | 79 | 15 | 789 | 19,546 |
| MGJ6D241510LMC | 24 | 310 | 78 | 81 | 15 | 784 | 19,570 |
| MGJ6D052005LMC | 5 | 1500 | 76 | 79 | 15 | 606 | 19,029 |
| MGJ6D122005LMC | 12 | 630 | 76 | 79 | 15 | 789 | 19,546 |
| MGJ6D242005LMC | 24 | 310 | 78 | 81 | 15 | 784 | 19,570 |
| MGJ6D051505LMC | 5 | 1500 | 76 | 79 | 15 | 606 | 19,029 |
| MGJ6D121505LMC | 12 | 630 | 76 | 79 | 15 | 789 | 19,546 |
| MGJ6D241505LMC | 24 | 310 | 78 | 81 | 15 | 784 | 19,570 |

INPUT CHARACTERISTICS

| Parameter | Conditions | Min. | Typ. | Max. | Units |
|------------------------|----------------------------|------|------|------|--------|
| Voltage range | 5V input types | 4.5 | 5 | 9 | V |
| | 12V input types | 9 | 12 | 18 | |
| | 24V input types | 18 | 24 | 36 | |
| Under voltage lock out | Turn on threshold MGJ6D05 | | 4.1 | | V |
| | Turn off threshold MGJ6D05 | | 3.0 | | |
| | Turn on threshold MGJ6D12 | | 8.1 | | |
| | Turn off threshold MGJ6D12 | | 7.5 | | |
| | Turn on threshold MGJ6D24 | | 16.7 | | |
| | Turn off threshold MGJ6D24 | | 16.3 | | |
| Input ripple current | 5V input types | | 20 | | mA p-p |
| | 12V input types | | 50 | | |
| | 24V input types | | 38 | | |

OUTPUT CHARACTERISTICS

| Parameter | Conditions | Min. | Typ. | Max. | Units |
|----------------------------|---|------|------|------|-------------------|
| Minimum load | Below 10% load, 5V and 15V outputs are clamped to 6V and 17V respectively | 10 | | | % |
| Voltage set point accuracy | Output 1 | | ±3 | | % |
| | Output 2 | | ±5 | | % |
| Line regulation | Low line to high line | | | 2 | % |
| Total Regulation | | | | 15 | % |
| Transient response | Peak deviation (50-100% & 100-50% load swing) | | 0.4 | | %V _{out} |
| | Settling time | | 0.1 | | ms |


GENERAL CHARACTERISTICS

| Parameter | Conditions | Min. | Typ. | Max. | Units |
|---------------------|------------|------|------|------|-------|
| Switching frequency | | | 100 | | kHz |

| TEMPERATURE CHARACTERISTICS | | | | | |
|--|-------------------------------------|------|------|------|-------|
| Parameter | Conditions | Min. | Typ. | Max. | Units |
| Operation | See derating graphs | -40 | | 105 | °C |
| Storage | | -50 | | 125 | |
| Product temperature rise above ambient | 100% Load, Nom V_{IN} , Still Air | | 25 | | |

| ISOLATION CHARACTERISTICS | | | | | |
|--------------------------------------|-----------------------------------|------|------|------|-------|
| Parameter | Conditions | Min. | Typ. | Max. | Units |
| Isolation test voltage | Flash tested for 1 second | 5700 | | | VDC |
| | Qualification tested for 1 minute | 5700 | | | |
| Resistance | Viso = 1kVDC | 100 | | | GΩ |
| Continuous barrier withstand voltage | Non-safety barrier application | | | 3000 | VDC |

| ABSOLUTE MAXIMUM RATINGS | |
|-------------------------------------|------------|
| Short-circuit protection | Continuous |
| Input voltage, MGJ6 5V input types | 12V |
| Input voltage, MGJ6 12V input types | 20V |
| Input voltage, MGJ6 24V input types | 40V |

| RoHS COMPLIANCE, MSL AND PSL INFORMATION | |
|--|--|
|  | <p>This series is compatible with RoHS soldering systems with a peak reflow solder temperature of 245°C and Time Above Liquidus for 90 seconds. as per J-STD-020D.1. The pin termination finish on this product series is Gold with Nickel Pre-plate. The series is backward compatible with Sn/Pb soldering systems. The series has a Moisture Sensitivity Level (MSL) 2. Samples of the product series were tested in accordance with the conditioning described for MSL level 2 in IPS/J-STD-020D.1. The product series passed electrical tests, co-planarity and visual inspection criteria.</p> |

APPLICATION NOTES

Start-up times

Typical start up times for this series, with no additional output capacitance are:

Output capacitance must not exceed:

| Part No. | Start-up times |
|----------------|----------------|
| | ms |
| MGJ6D051510LMC | 30 |
| MGJ6D121510LMC | 30 |
| MGJ6D241510LMC | 30 |
| MGJ6D052005LMC | 30 |
| MGJ6D122005LMC | 30 |
| MGJ6D242005LMC | 30 |
| MGJ6D051505LMC | 30 |
| MGJ6D121505LMC | 30 |
| MGJ6D241505LMC | 30 |

| Output Voltage | Maximum output capacitance |
|----------------|----------------------------|
| V | µF |
| -5 | 470 |
| -10 | 220 |
| 15 | 220 |
| 20 | 150 |

Disable/Frequency synchronisation

Please refer to application notes for further information.

| | | Min | Typ | Max | Units |
|----------------------------|-------------------|-----|-----|-----|-------|
| Disable/Synch ¹ | Pull Down Current | | 0.5 | | mA |
| | Input High | 2 | | 5 | V |
| | Input Low | 0 | | 0.8 | V |
| Synchronisation | Frequency Range | 90 | 100 | 110 | kHz |
| | Duty Cycle | 25 | | 75 | % |

The Disable/Synchronization pin has three modes:

1. When a dc logic low voltage is applied to this pin the MGJ6 is disabled and enters a low quiescent current sleep mode.
2. When this pin is left floating or a dc logic high (CMOS/TTL compatible) voltage is applied the MGJ6 is enabled and operates at the programmed frequency of 100kHz.
3. When a square wave of between 90kHz and 110kHz is applied to this pin, the switcher operates at the same frequency as the square wave. The falling edge of the square wave corresponds to the start of the switching cycle. If the signal is slower than 25Hz, it will be interpreted as enabling and disabling the part. If the MGJ6 is disabled, it must be disabled for 7 clock cycles before being re-enabled.

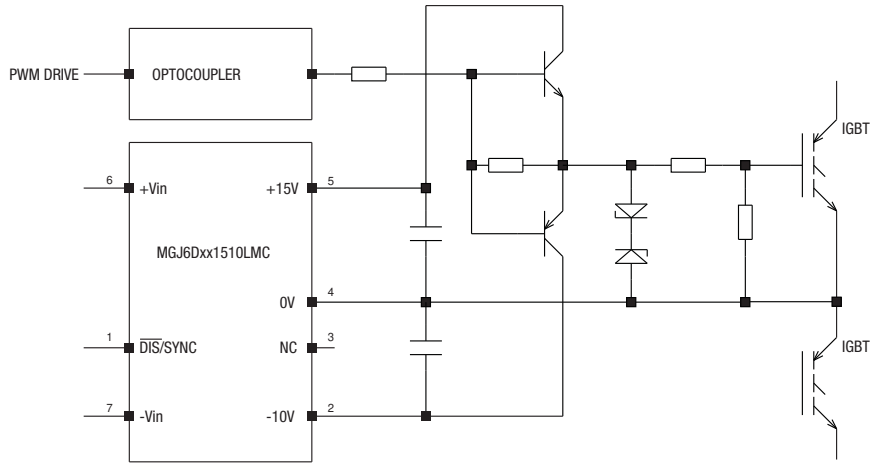
Output configurations for power switches

| Terminal | IGBT | SIC | MOSFET |
|----------------------------------|---------------|---------------|---------------|
| (P5) 15V Output | +15V 0.24A | +20V 0.24A | +15V 0.3A |
| (P4) 15V Return 5VA Output | 0V | No connection | 0V |
| (P3) 5VA Return 5VB Output | No connection | 0V | -5V 0.3A |
| (P2) 5VB Return | -10V 0.24A | -5V 0.24A | No connection |

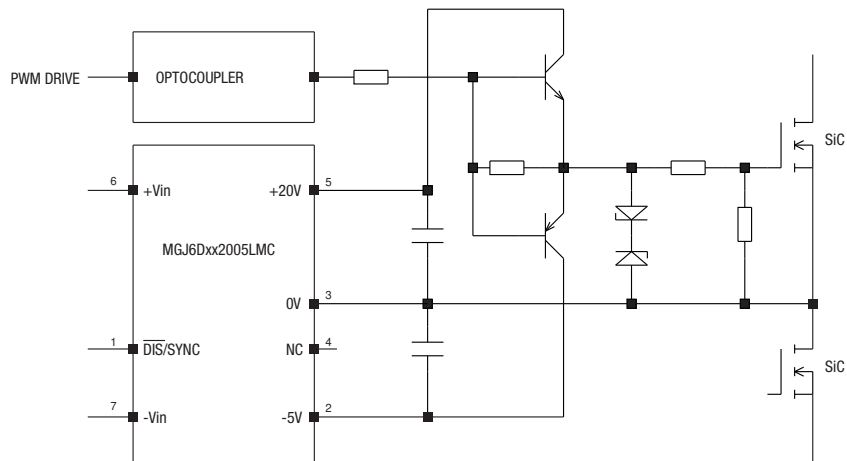
APPLICATION NOTES (Continued)

Schematic for driving IGBT, SiC & MOSFET

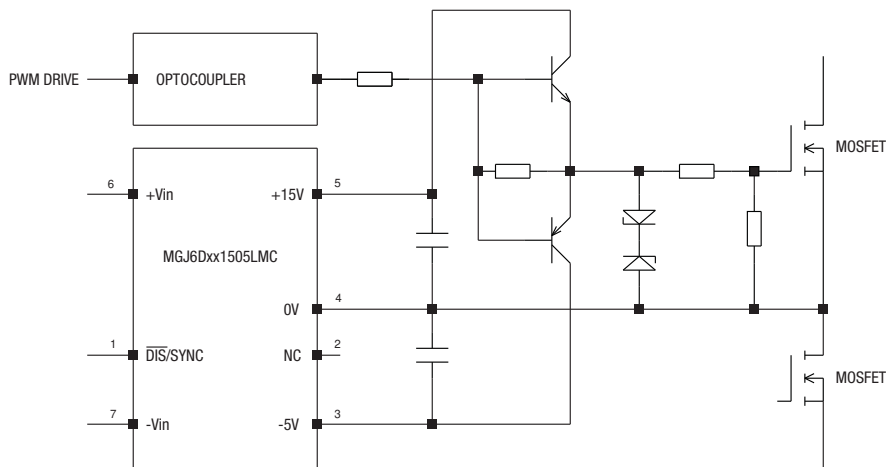
MGJ DC-DC CONNECTIONS FOR DRIVING IGBT DEVICES



MGJ DC-DC CONNECTIONS FOR DRIVING SiC DEVICES



MGJ DC-DC CONNECTIONS FOR DRIVING MOSFET DEVICES



TECHNICAL NOTES

ISOLATION VOLTAGE

'Hi Pot Test', 'Flash Tested', 'Withstand Voltage', 'Proof Voltage', 'Dielectric Withstand Voltage' & 'Isolation Test Voltage' are all terms that relate to the same thing, a test voltage, applied for a specified time, across a component designed to provide electrical isolation, to verify the integrity of that isolation.

Murata Power Solutions MGJ6 series of DC/DC converters are all 100% production tested at 5.7kVDC for 1 second and have been qualification tested at 5.7kVDC for 1 minute.

A question commonly asked is, "What is the continuous voltage that can be applied across the part in normal operation?"

When the insulation in the MGJ6 series is not used as a safety barrier, i.e. provides functional isolation only, continuous or switched voltages across the barrier up to 3kV are sustainable. Long term reliability testing at these voltages continues. Peak inception voltages measured were in excess of 3.5kV when testing for partial discharge in accordance with IEC 60270. Please contact Murata for further information.

The MGJ6 series has been recognised by Underwriters Laboratory to 250 Vrms Reinforced Insulation, please see safety approval section below.

REPEATED HIGH-VOLTAGE ISOLATION TESTING

It is well known that repeated high-voltage isolation testing of a barrier component can actually degrade isolation capability, to a lesser or greater degree depending on materials, construction and environment. We therefore strongly advise against repeated high voltage isolation testing, but if it is absolutely required, that the voltage be reduced by 20% from specified test voltage.

SAFETY APPROVAL

ANSI/AAMI ES60601-1

The MGJ6 series is pending recognition ANSI/AAMI ES60601-1 and provides 2 MOPP (Means Of Patient Protection) based upon a working voltage of 250 Vrms max., between Primary and Secondary.

UL 60950

The MGJ6 series has been recognised by Underwriters Laboratory (UL) to UL 60950 for reinforced insulation to a working voltage of 250Vrms with a maximum measured product operating temperature of 130°C.

Creepage and clearance 8mm.

FUSING

The MGJ6 series of converters are not internally fused so to meet the requirements of UL an anti-surge input line fuse should always be used with ratings as defined below.

Input Voltage, 5V 4A

Input Voltage, 12V 2A

Input Voltage, 24V 1A

All fuses should be UL recognized, 125V rated.

CHARACTERISATION TEST METHODS

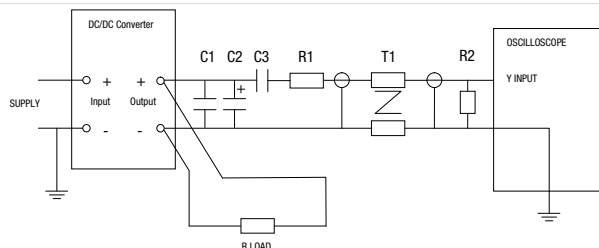
Ripple & Noise Characterisation Method

Ripple and noise measurements are performed with the following test configuration.

| | |
|-------|--|
| C1 | 1µF X7R multilayer ceramic capacitor, voltage rating to be a minimum of 3 times the output voltage of the DC/DC converter |
| C2 | 10µF tantalum capacitor, voltage rating to be a minimum of 1.5 times the output voltage of the DC/DC converter with an ESR of less than 100mΩ at 100 kHz |
| C3 | 100nF multilayer ceramic capacitor, general purpose |
| R1 | 450Ω resistor, carbon film, ±1% tolerance |
| R2 | 50Ω BNC termination |
| T1 | 3T of the coax cable through a ferrite toroid |
| RLOAD | Resistive load to the maximum power rating of the DC/DC converter. Connections should be made via twisted wires |

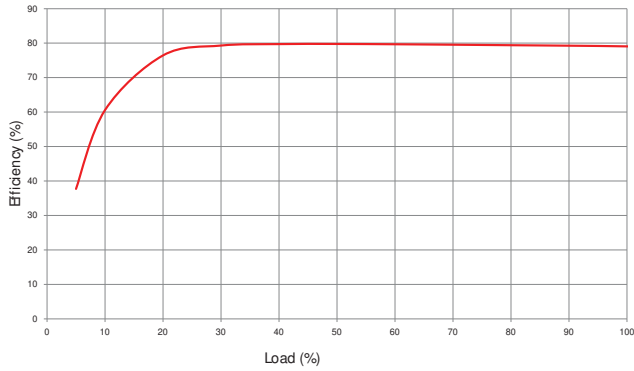
Measured values are multiplied by 10 to obtain the specified values.

Differential Mode Noise Test Schematic

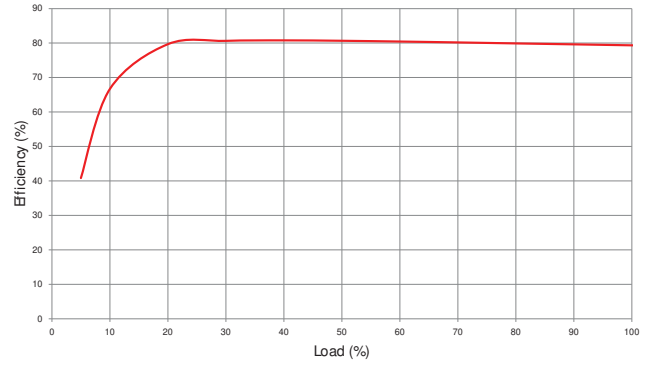


EFFICIENCY VS LOAD

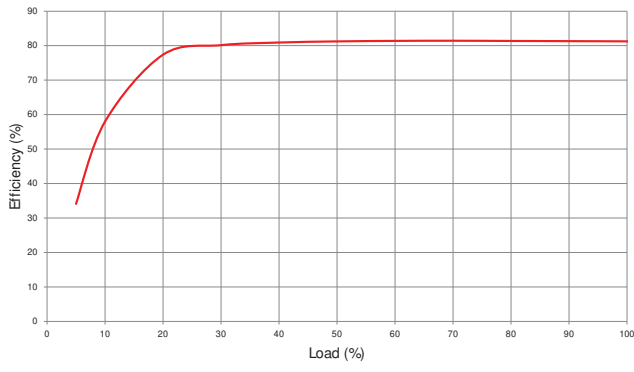
MGJ6D05XXXLMC



MGJ6D12XXXLMC

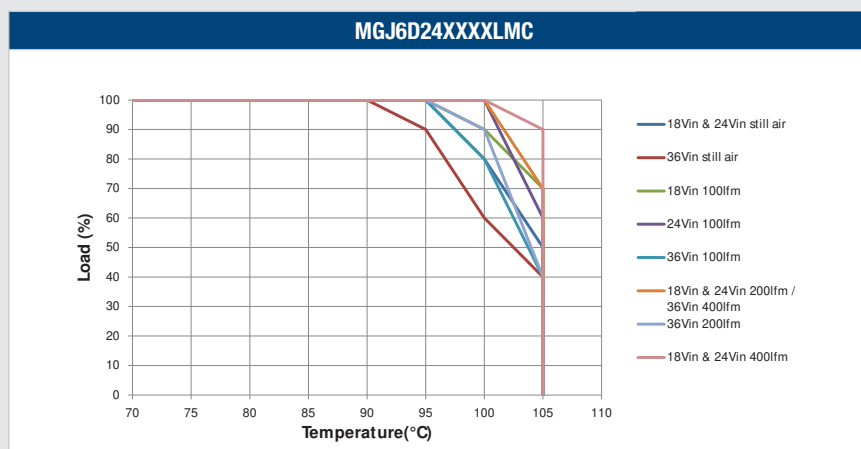
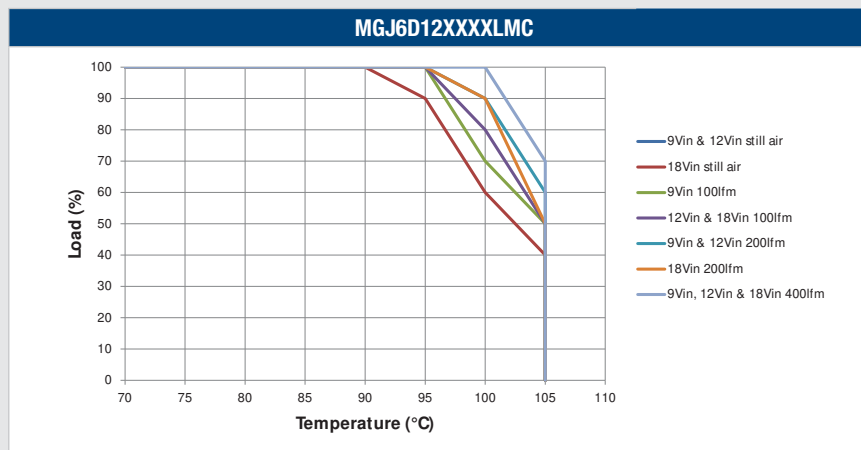
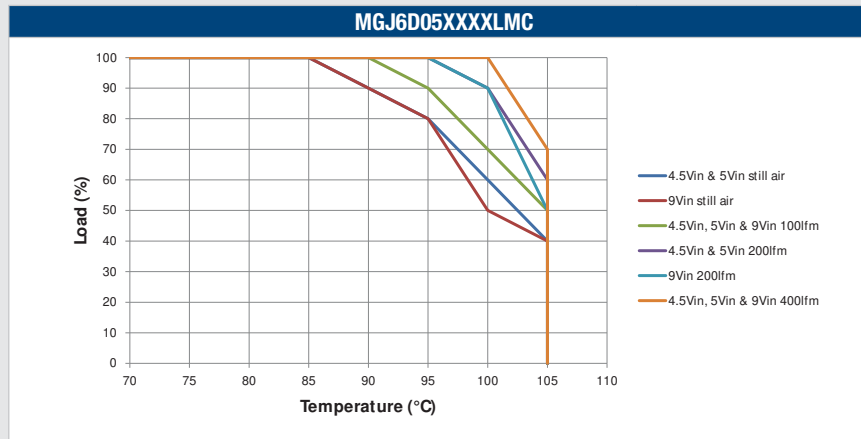


MGJ6D24XXXLMC



DERATING GRAPHS

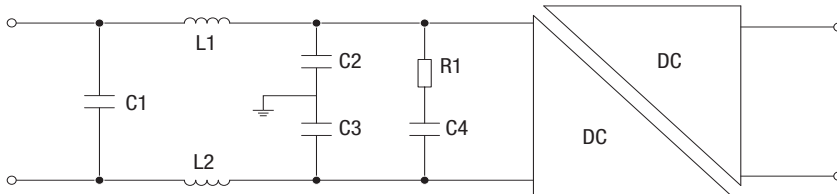
Derating curves are based on IPC-9592. With no derating some components may be operating at the manufacturers maximum temperature ratings.



EMC FILTERING AND SPECTRA

FILTERING

The following filter circuit and filter table shows the input filters typically required to meet EN 55022 Curve B, Quasi-Peak EMC limit, as shown in the following plots. The following plots show positive and negative quasi peak and CISPR22 Average Limit B (green line) and Quasi Peak Limit B (pink line) adherence limits.



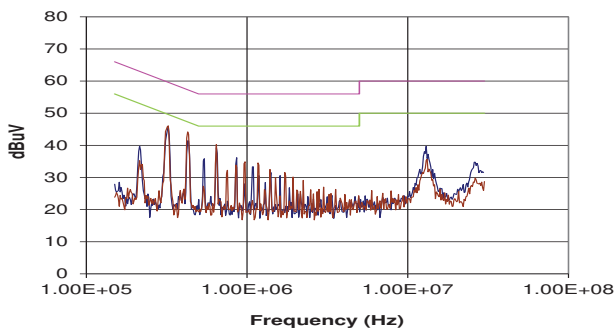
C1, C2 & C3 Polyester or ceramic capacitor

C4 Electrolytic capacitor (note R1 could be omitted if C4 has ESR \geq R1)

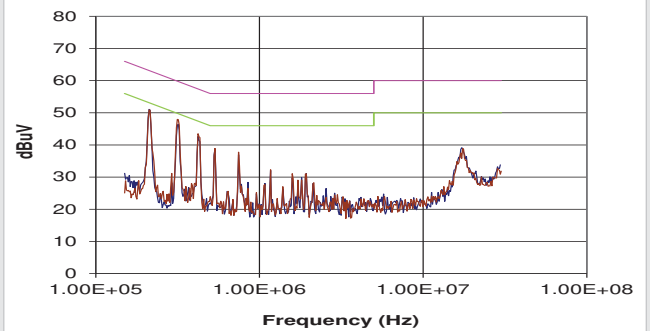
TO MEET CURVE B

| Part Number | C1 | L1&2 | Through Hole | C2&3 | R1 | C4 |
|-----------------------|-------|------|--------------|-------|-------|-------|
| MGJ6D05XXXXLMC | 3.3uF | 10uH | 47100SC | 10 nF | 500mΩ | 470uF |
| MGJ6D12XXXXLMC | 3.3uF | 10uH | 47100SC | 10 nF | 500mΩ | 470uF |
| MGJ6D24XXXXLMC | 3.3uF | 10uH | 47100SC | 10 nF | 500mΩ | 470uF |

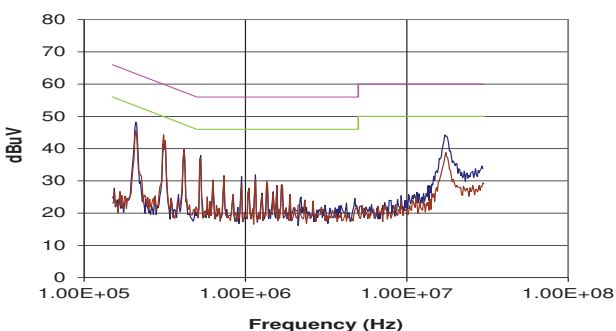
MGJ6D05XXXXLMC



MGJ6D12XXXXLMC

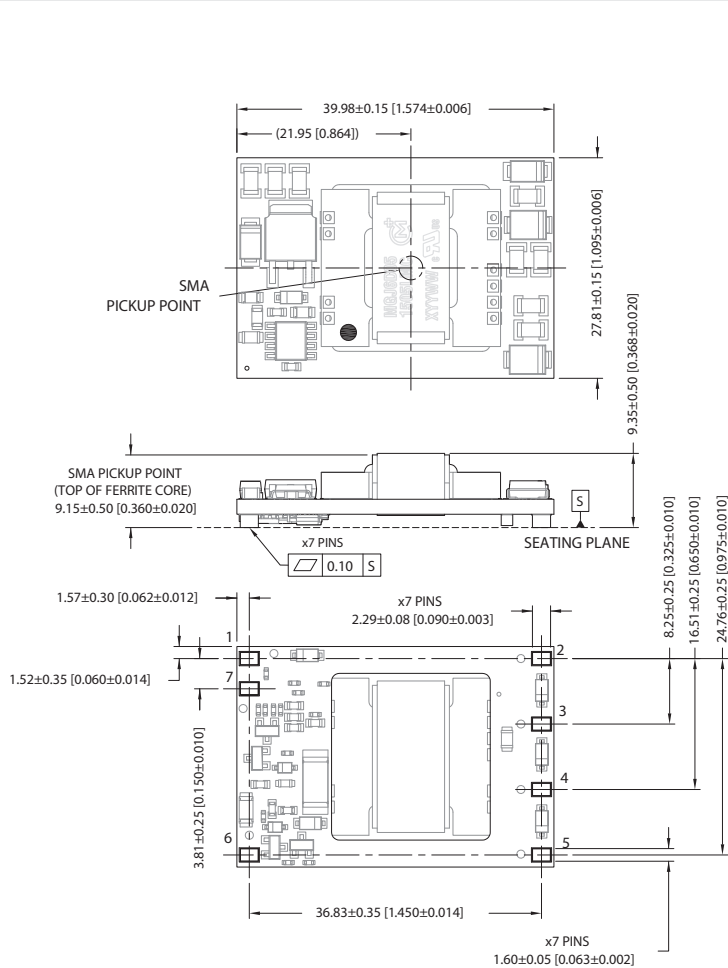


MGJ6D24XXXXLMC



PACKAGE SPECIFICATIONS

MECHANICAL DIMENSIONS



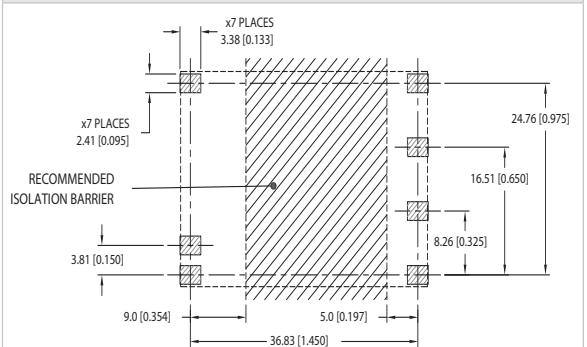
All dimensions in mm (inches). Controlling dimensions is mm.
 Tolerance (unless otherwise stated) ± 0.25 (0.010).
 Components shown for reference only.

Weight: 12g

PIN CONNECTIONS

| Pin | Function |
|-----|----------|
| 1 | DIS/SYNC |
| 2 | 5VB RTN |
| 3 | 5VA RTN |
| | 5VB |
| 4 | 15V RTN |
| | 5VA |
| 5 | 15VOUT |
| 6 | +Vin |
| 7 | -Vin |

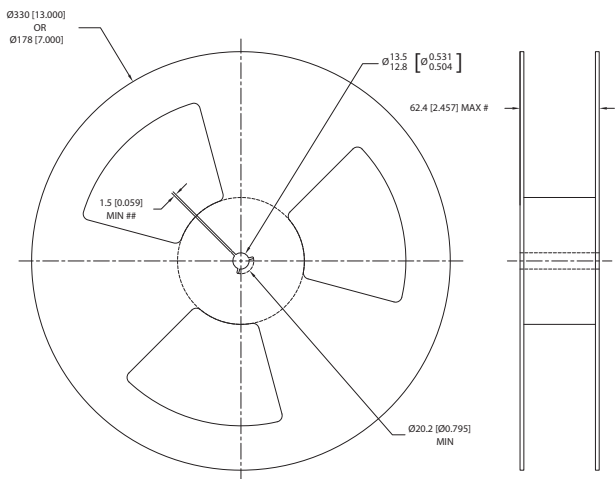
RECOMMENDED FOOTPRINT DETAILS



All dimensions in mm (inches), Controlling dimensions is mm.

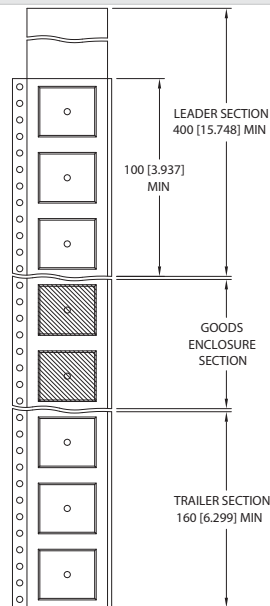
TAPE & REEL SPECIFICATIONS

REEL OUTLINE DIMENSIONS



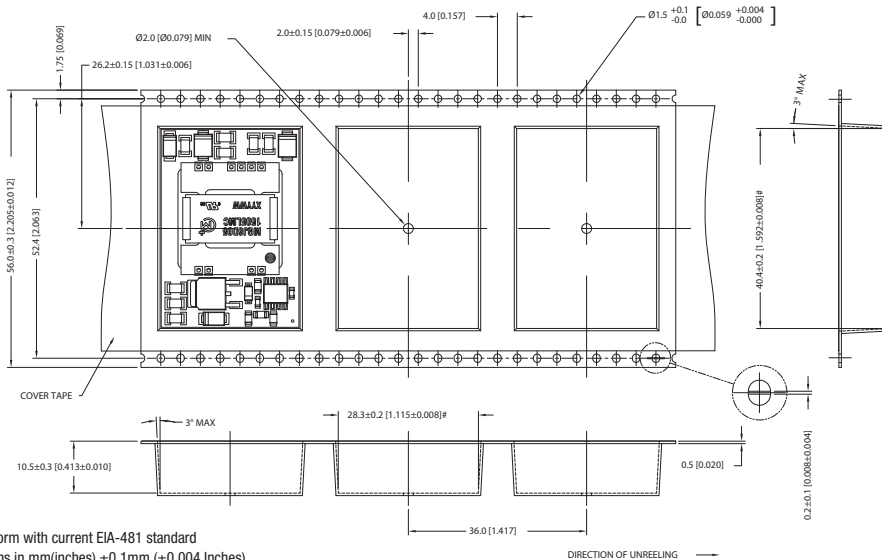
Tape & Reel specifications shall conform with current EIA-481 standard
 Unless otherwise stated all dimensions in mm(inches)
 Controlling dimension is mm
 # Measured at hub
 ## Six equi-spaced slots on 180mm/7" reel

REEL PACKAGING DETAILS



Reel Quantity: 7" - 23 or 13" - 92
 Carrier tape pockets shown are illustrative only - Refer to carrier tape diagram for actual pocket details

TAPE OUTLINE DIMENSIONS



Tape & Reel specifications shall conform with current EIA-481 standard
 Unless otherwise stated all dimensions in mm(inches) ±0.1mm (±0.004 Inches)
 Controlling dimension is mm
 Components shall be orientated within the carrier tape as indicated
 # Measured on a plane 0.3mm above the bottom pocket

Murata Power Solutions, Inc.
 11 Cabot Boulevard, Mansfield, MA 02048-1151 U.S.A.
 ISO 9001 and 14001 REGISTERED



This product is subject to the following **operating requirements** and the **Life and Safety Critical Application Sales Policy**:
 Refer to: <http://www.murata-ps.com/requirements/>

Murata Power Solutions, Inc. makes no representation that the use of its products in the circuits described herein, or the use of other technical information contained herein, will not infringe upon existing or future patent rights. The descriptions contained herein do not imply the granting of licenses to make, use, or sell equipment constructed in accordance therewith. Specifications are subject to change without notice. © 2017 Murata Power Solutions, Inc.