



Chipsmall Limited consists of a professional team with an average of over 10 year of expertise in the distribution of electronic components. Based in Hongkong, we have already established firm and mutual-benefit business relationships with customers from,Europe,America and south Asia,supplying obsolete and hard-to-find components to meet their specific needs.

With the principle of “Quality Parts,Customers Priority,Honest Operation,and Considerate Service”,our business mainly focus on the distribution of electronic components. Line cards we deal with include Microchip,ALPS,ROHM,Xilinx,Pulse,ON,Everlight and Freescale. Main products comprise IC,Modules,Potentiometer,IC Socket,Relay,Connector.Our parts cover such applications as commercial,industrial, and automotives areas.

We are looking forward to setting up business relationship with you and hope to provide you with the best service and solution. Let us make a better world for our industry!



Contact us

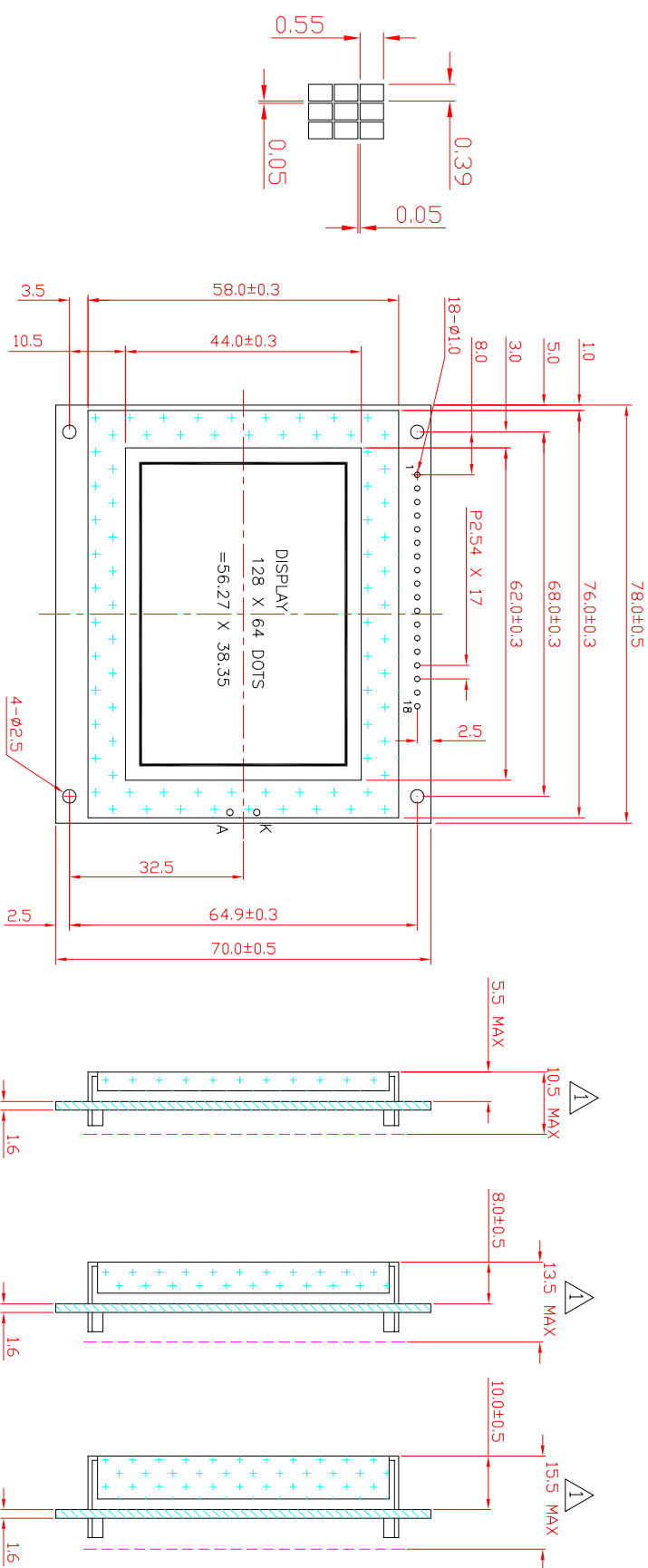
Tel: +86-755-8981 8866 Fax: +86-755-8427 6832

Email & Skype: info@chipsmall.com Web: www.chipsmall.com

Address: A1208, Overseas Decoration Building, #122 Zhenhua RD., Futian, Shenzhen, China

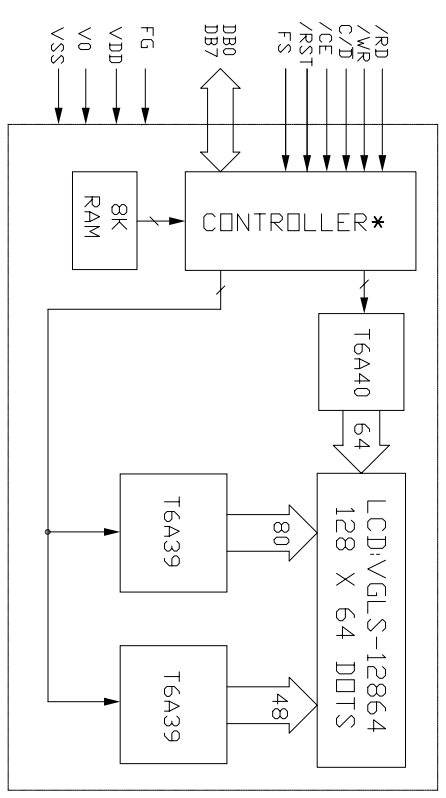


ISSUE	AMENDMENT	DATE
①	ADD NOTES UPDATE DIMENSION	02.01.22
②	ADD LED05	03.07.21



1	2	3	4	5	6	7	8	9	10	11	12	13	14	15	16	17	18
FG	VSS	VDD	V0	/WR	/RD	/CE	C/D	/RST	DB0	DB1	DB2	DB3	DB4	DB5	DB6	DB7	FS

NOTES:
 ⚠ SPECIAL CHARACTERISTIC
 ⚡ SAFETY CHARACTERISTIC
 ⚡ REFERENCE ONLY
 ⚠ CRITICAL DIMENSION

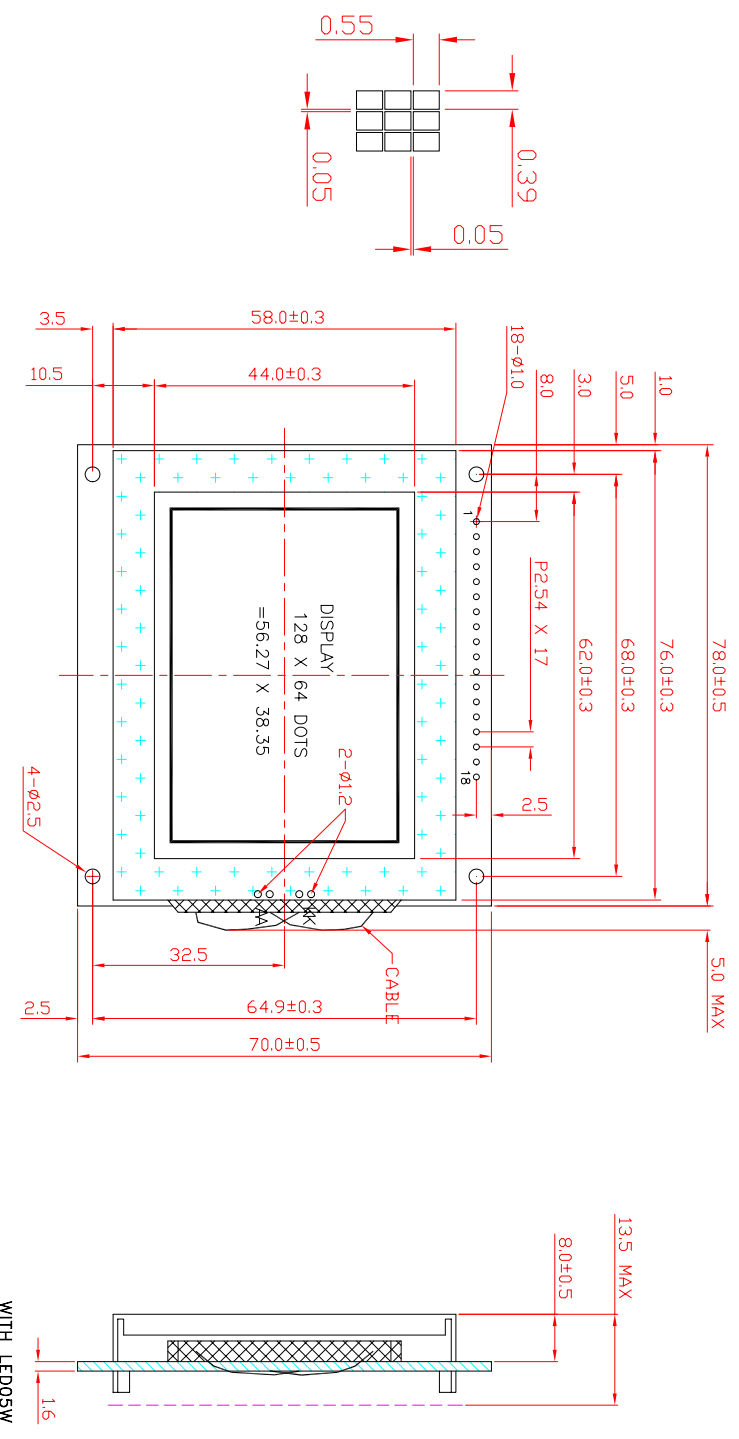


* T6963C OR EQUIVALENT

VE VARRITRONIX LIMITED

TITLE: SPECIFICATION OF MODULE			
PROJECT NO: MGLS-12864T			
TOLERANCE UNLESS OTHERWISE SPECIFIED:		X.X ±0.3	
DIMENSIONS IN MM		X.XX ±0.1	
MATERIAL:		FINISH:	
SCALE: DO NOT ON SCALE THICKNESS:			
THIRD ANGLE PROJECTION			
DRAWN	NAME	SIGN	DATE
CHECKED	LUO XIAN GANG		03.07.21
APPROVED	ZHOU CHUN HUA		
	CHARM		
ITEM NO. MGLS12864T-XX			
DESCRIPTION: MGLS-12864T			
FILE NO: MGLS-12864T-XX R2.DWG/REV 2			
SHEET 1 OF 2			

ISSUE	AMENDMENT	DATE
1	ADD NOTES UPDATE DIMENSION	02.01.22
2	ADD LED05	03.07.21



1	2	3	4	5	6	7	8	9	10	11	12	13	14	15	16	17	18
FG	VSS	VDD	V0	/WR	/RD	/CE	C/D	/RST	DB0	DB1	DB2	DB3	DB4	DB5	DB6	DB7	FS

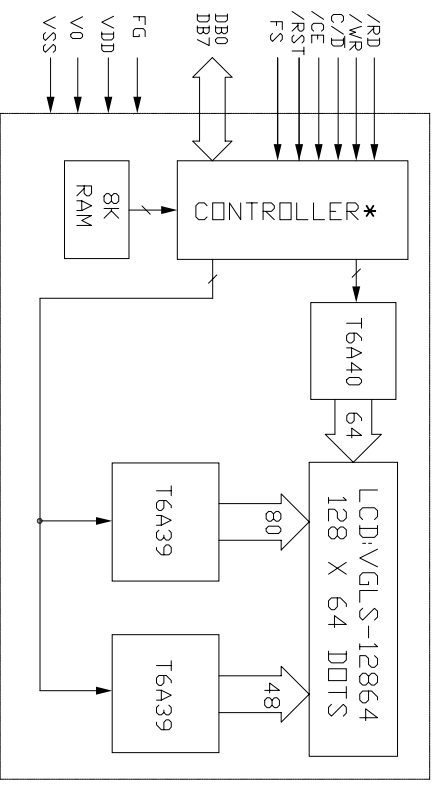
NOTES:

1. SPECIAL CHARACTERISTIC

2. SAFETY CHARACTERISTIC

3. REFERENCE ONLY

4. CRITICAL DIMENSION



* T6963C OR EQUIVALENT

VE VARRITRONIX LIMITED

TITLE: SPECIFICATION OF MODULE			
PROJECT NO: MGLS-12864T			
TOLERANCE UNLESS OTHERWISE SPECIFIED:		X.X ±0.3	
DIMENSIONS IN MM		X.XX ±0.1	
MATERIAL:		FINISH:	
SCALE: DO NOT ON SCALE			
THIRD ANGLE PROJECTION			
DRAWN	NAME	SIGN	DATE
CHECKED	LUO XIAN GANG		03.07.21
APPROVED	ZHOU CHUN HUA		
	CHARM		
ITEM NO. MGLS12864T-XX			
DESCRIPTION: MGLS-12864T			
FILE NO: MGLS-12864T-XX R2.DWG/REV 2			
SHEET 2 OF 2			