



Chipsmall Limited consists of a professional team with an average of over 10 year of expertise in the distribution of electronic components. Based in Hongkong, we have already established firm and mutual-benefit business relationships with customers from,Europe,America and south Asia,supplying obsolete and hard-to-find components to meet their specific needs.

With the principle of “Quality Parts,Customers Priority,Honest Operation,and Considerate Service”,our business mainly focus on the distribution of electronic components. Line cards we deal with include Microchip,ALPS,ROHM,Xilinx,Pulse,ON,Everlight and Freescale. Main products comprise IC,Modules,Potentiometer,IC Socket,Relay,Connector.Our parts cover such applications as commercial,industrial, and automotives areas.

We are looking forward to setting up business relationship with you and hope to provide you with the best service and solution. Let us make a better world for our industry!



Contact us

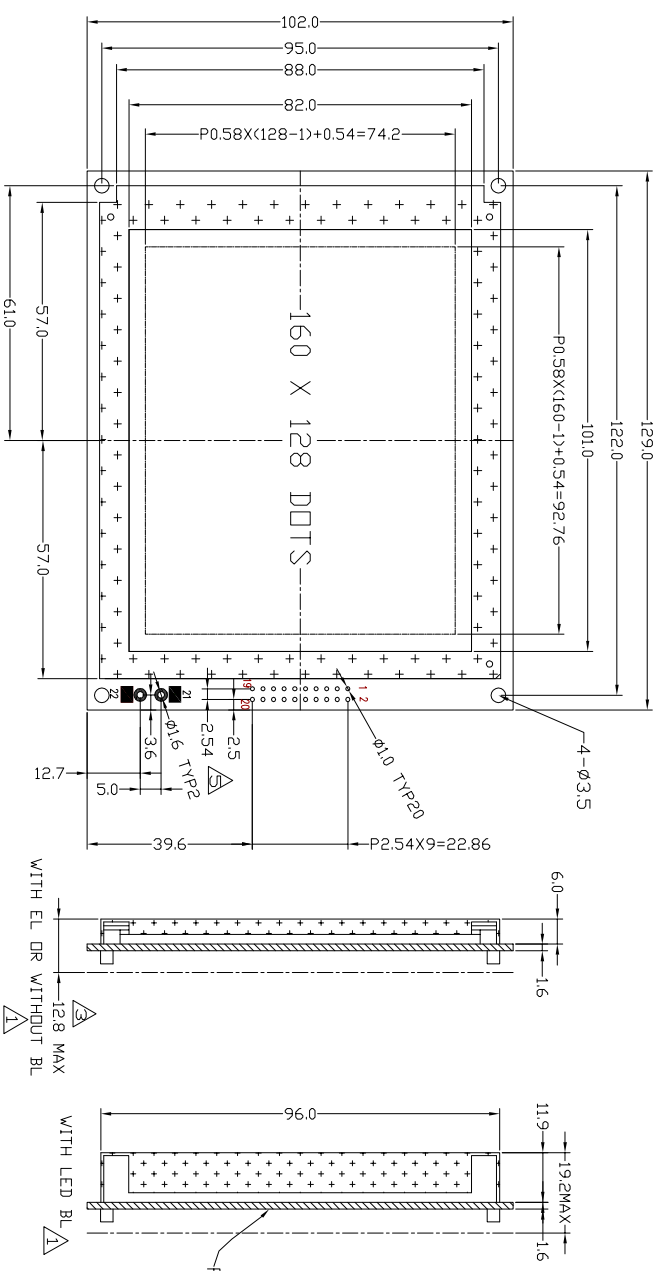
Tel: +86-755-8981 8866 Fax: +86-755-8427 6832

Email & Skype: info@chipsmall.com Web: www.chipsmall.com

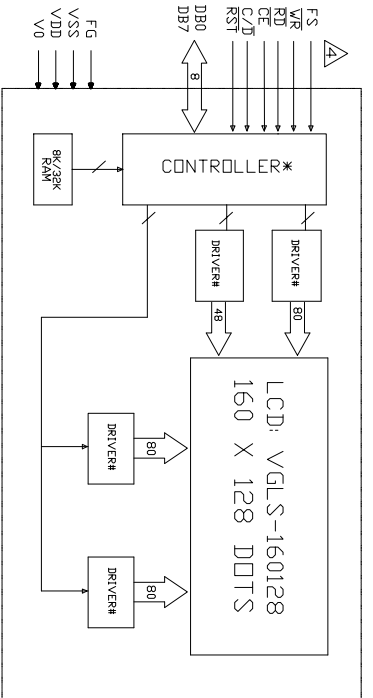
Address: A1208, Overseas Decoration Building, #122 Zhenhua RD., Futian, Shenzhen, China



THE DRAWING ON THIS PRINT AND INFORMATION THEREON ARE PROPRIETARY TO VARRITRONIX AND SHALL NOT BE USED IN WHOLE OR IN PART WITHOUT WRITTEN PERMISSION OF VARRITRONIX.



1	FG	V	S	V	C	D	V	A	D	V	J	V	E	E	W	R	R	D	C	E	C	/	D	H	A	L	T	R	E	S	E	T	I	D	2	D	3	D	4	D	S	D	6	D	Z	N	C	L	E	D	+	L	E	D	-	2	2
---	----	---	---	---	---	---	---	---	---	---	---	---	---	---	---	---	---	---	---	---	---	---	---	---	---	---	---	---	---	---	---	---	---	---	---	---	---	---	---	---	---	---	---	---	---	---	---	---	---	---	---	---	---	---	---	---	---



NOTES:
 ▲ "◇" SPECIAL CHARACTERISTIC
 ▲ "+" SAFETY CHARACTERISTIC
 ▲ "◇" REFERENCE ONLY
 ▲ "Δ" CRITICAL DIMENSION

ISSUE	AMENDMENT	DATE
▲1	UPDATE DRAWING	02.05.24
▲2	UPDATE DRAWING	02.05.29
▲3	REDRAW MODIFY DIMENSION ADD THE SIZES	03.04.29
▲4	UPDATE TABLE INFORMATION	09.11.11
▲5	UPDATE DIMENSION AND DRAWING	10.06.03

TITLE: JCM Module Specification	
PROJECT NO.: MGLS160128	
CUSTOMER REF: IN	
TOLERANCE UNLESS OTHERWISE SPECIFIED:	XX ±0.3 XXX ±0.1 ANGULAR ±1°
DIMENSIONS IN MM	
MATERIAL: N/A	FINISH: N/A
SCALE: DO NOT DR SCALE OVERALL THK: N/A	
THIRD ANGLE PROJECTION	
DRAWN:	HU FANG LIANG
CHECKED:	HU ZHONG LIN
APPROVED:	VONG MAN CHAM
ITEM NO.:	MGLS160128-XX
DESCRIPTION:	MGLS160128
FILE NO.:	MGLS160128-XX R5 REV: 5
SHEET	1 OF 1



VARRITRONIX LIMITED