



Chipsmall Limited consists of a professional team with an average of over 10 year of expertise in the distribution of electronic components. Based in Hongkong, we have already established firm and mutual-benefit business relationships with customers from,Europe,America and south Asia,supplying obsolete and hard-to-find components to meet their specific needs.

With the principle of “Quality Parts,Customers Priority,Honest Operation,and Considerate Service”,our business mainly focus on the distribution of electronic components. Line cards we deal with include Microchip,ALPS,ROHM,Xilinx,Pulse,ON,Everlight and Freescale. Main products comprise IC,Modules,Potentiometer,IC Socket,Relay,Connector.Our parts cover such applications as commercial,industrial, and automotives areas.

We are looking forward to setting up business relationship with you and hope to provide you with the best service and solution. Let us make a better world for our industry!



Contact us

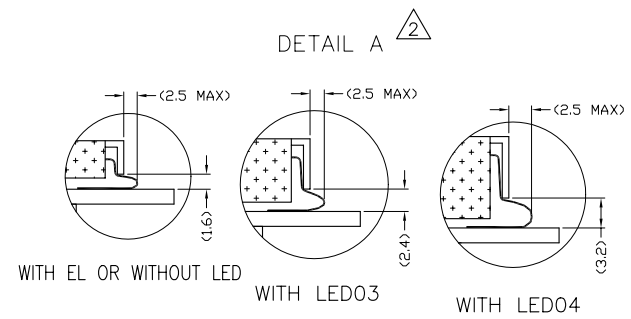
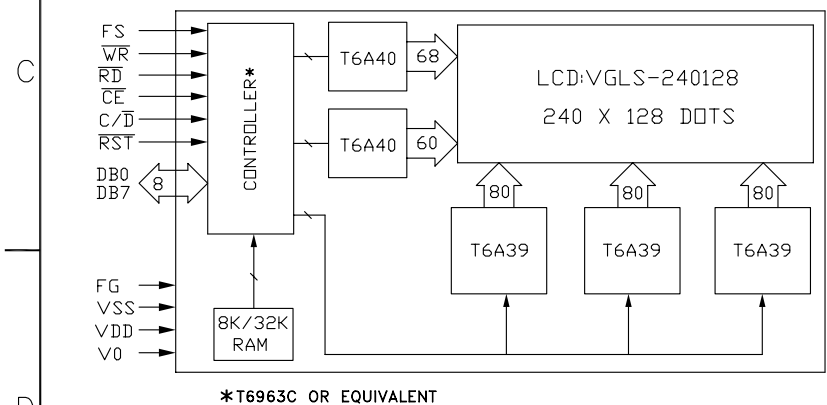
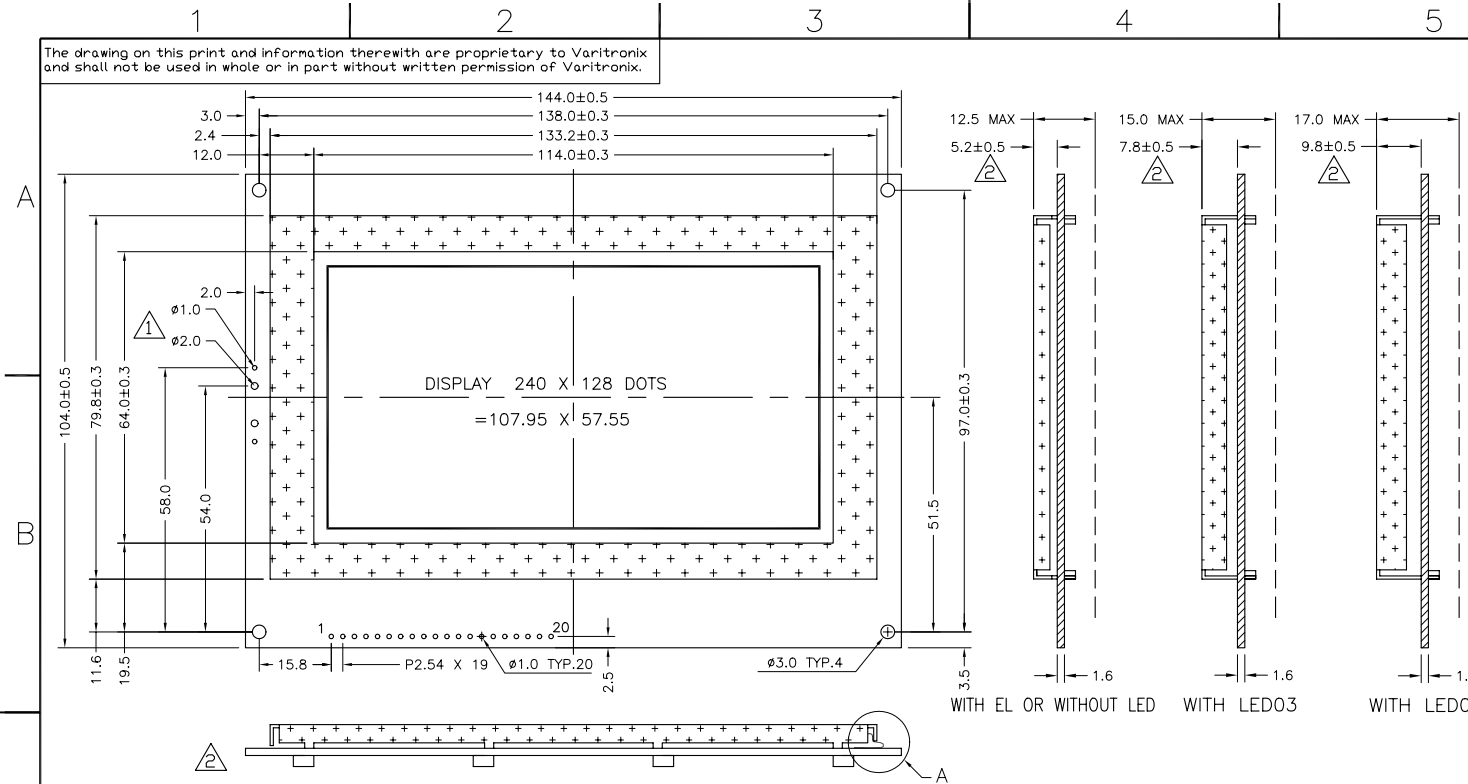
Tel: +86-755-8981 8866 Fax: +86-755-8427 6832

Email & Skype: info@chipsmall.com Web: www.chipsmall.com

Address: A1208, Overseas Decoration Building, #122 Zhenhua RD., Futian, Shenzhen, China



The drawing on this print and information therewith are proprietary to Varitronix and shall not be used in whole or in part without written permission of Varitronix.



ISSUE	AMENDMENT	DATE
1	UPDATE DIMENSION ADD THE NOTES	03.03.25
6	ADD BOTTOM VIEW AND DETAIL DRAWING A UPDATE DIMENSION ADD LEDO5	05.08.23

TITLE: LCM Module Specification			
PROJECT NO: MGLS240128TA			
TOLERANCE UNLESS OTHERWISE SPECIFIED:	X.X ±0.3		
DIMENSIONS IN MM	X.XX ±0.1	ANGULAR: ± 1°	
MATERIAL: N/A	FINISH: N/A		
SCALE: DO NOT ON SCALE	OVERALL THK: N/A		
THIRD ANGLE PROJECTION			
	NAME	SIGN	DATE
DRAWN:	XB LONG		
CHECKED:	ZB TANG		
APPROVED:	CHARM		
ITEM NO.: MGLS240128TA-XX			
DESCRIPTION: MGLS240128TA			
FILE NO: MGLS240128TA-XX R2 REV: 2			
SHEET 1 OF 2			

- NOTES:
 1. ◇ : SPECIAL CHARACTERISTIC
 2. + : SAFETY CHARACTERISTIC
 3. ▽ : CRITICAL DIMENSION
 4. (...) : REFERENCE DIMENSION



1	2	3	4	5	6	7	8	9	10	11	12	13	14	15	16	17	18	19	20
FG	VSS	VDD	V0	/WR	/RD	/CE	C/D	/RST	DB0	DB1	DB2	DB3	DB4	DB5	DB6	DB7	FS	LED(+)	LED(-)

The drawing on this print and information therewith are proprietary to Varitronix and shall not be used in whole or in part without written permission of Varitronix.

ISSUE	AMENDMENT	DATE
1	UPDATE DIMENSION ADD THE NOTES	03.03.25
2 ⁶	ADD BOTTOM VIEW AND DETAIL DRAWING A UPDATE DIMENSION ADD LED05	05.08.23

A

B

C

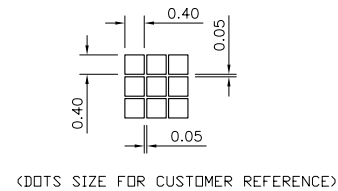
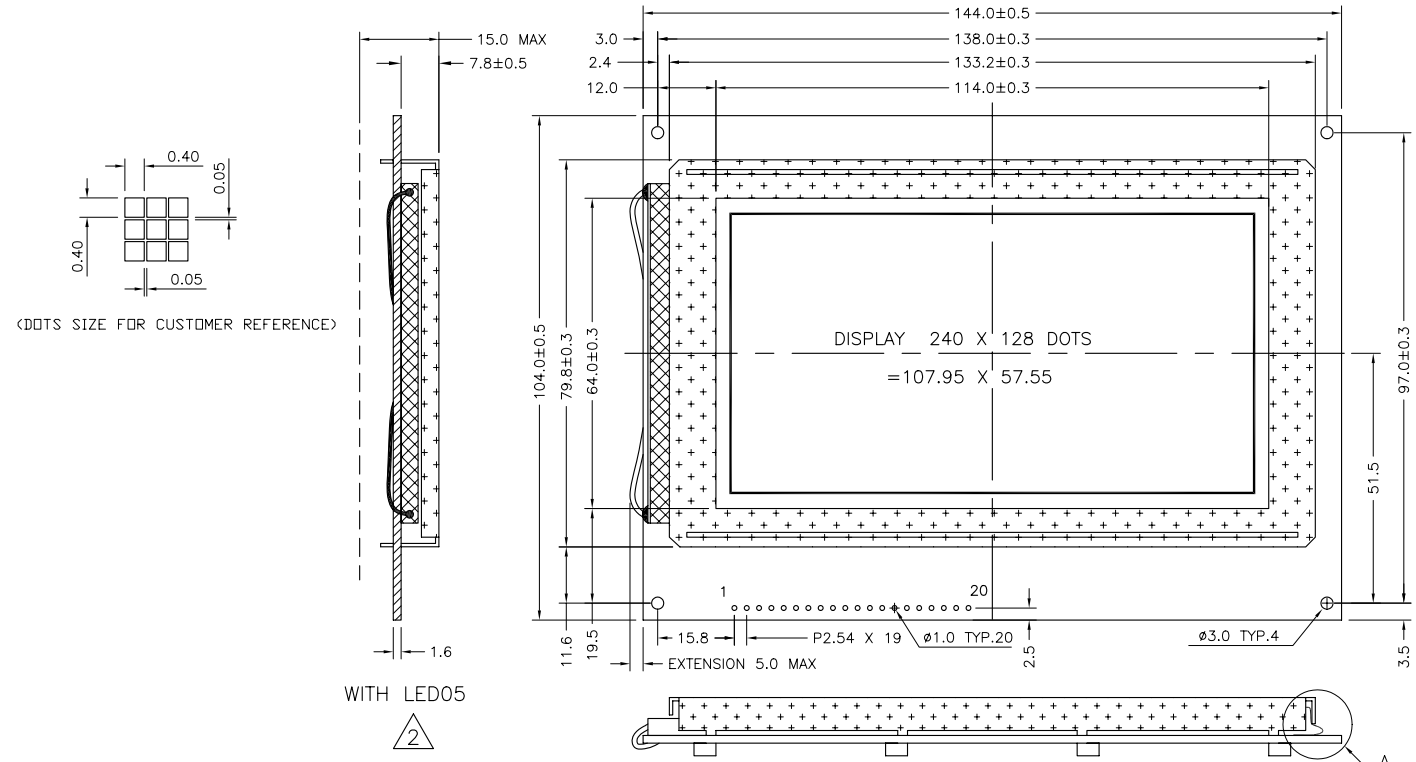
D

A

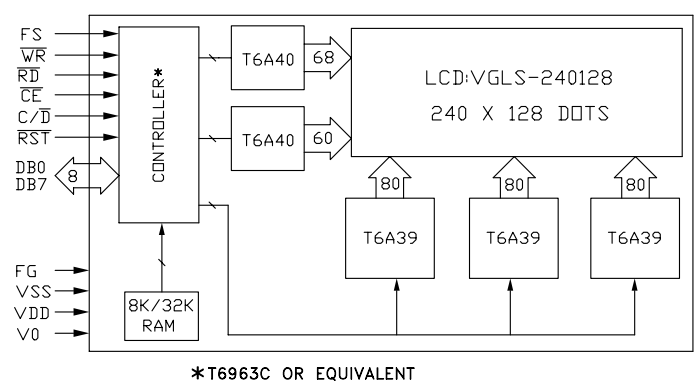
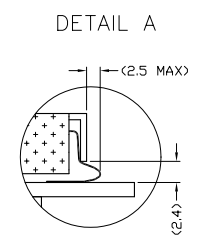
B

C

D



WITH LED05
2



TITLE: LCM Module Specification
 PROJECT NO: MGLS240128TA

TOLERANCE UNLESS OTHERWISE SPECIFIED:	X.X ±0.3 X.XX ±0.1
DIMENSIONS IN MM	ANGULAR: ± 1°
MATERIAL: N/A	FINISH: N/A
SCALE: DD NOT ON SCALE	OVERALL THK: N/A

THIRD ANGLE PROJECTION			
NAME	SIGN	DATE	
DRAWN: XB LONG			
CHECKED: ZB TANG			
APPROVED: CHARM			

1	2	3	4	5	6	7	8	9	10	11	12	13	14	15	16	17	18	19	20
FG	VSS	VDD	V0	/WR	/RD	/CE	C/D	/RST	DB0	DB1	DB2	DB3	DB4	DB5	DB6	DB7	FS	LED(+)	LED(-)

NOTES:
 1. ◇ : SPECIAL CHARACTERISTIC
 2. + : SAFETY CHARACTERISTIC
 3. ▽ : CRITICAL DIMENSION
 4. (...): REFERENCE DIMENSION

VE VARITRONIX LIMITED

ITEM NO.: MGLS240128TA-XX
 DESCRIPTION: MGLS240128TA
 FILE NO: MGLS240128TA-XX R2 REV: 2
 SHEET 2 OF 2

1

2

3

4

5

6