



Chipsmall Limited consists of a professional team with an average of over 10 year of expertise in the distribution of electronic components. Based in Hongkong, we have already established firm and mutual-benefit business relationships with customers from,Europe,America and south Asia,supplying obsolete and hard-to-find components to meet their specific needs.

With the principle of “Quality Parts,Customers Priority,Honest Operation,and Considerate Service”,our business mainly focus on the distribution of electronic components. Line cards we deal with include Microchip,ALPS,ROHM,Xilinx,Pulse,ON,Everlight and Freescale. Main products comprise IC,Modules,Potentiometer,IC Socket,Relay,Connector.Our parts cover such applications as commercial,industrial, and automotives areas.

We are looking forward to setting up business relationship with you and hope to provide you with the best service and solution. Let us make a better world for our industry!



Contact us

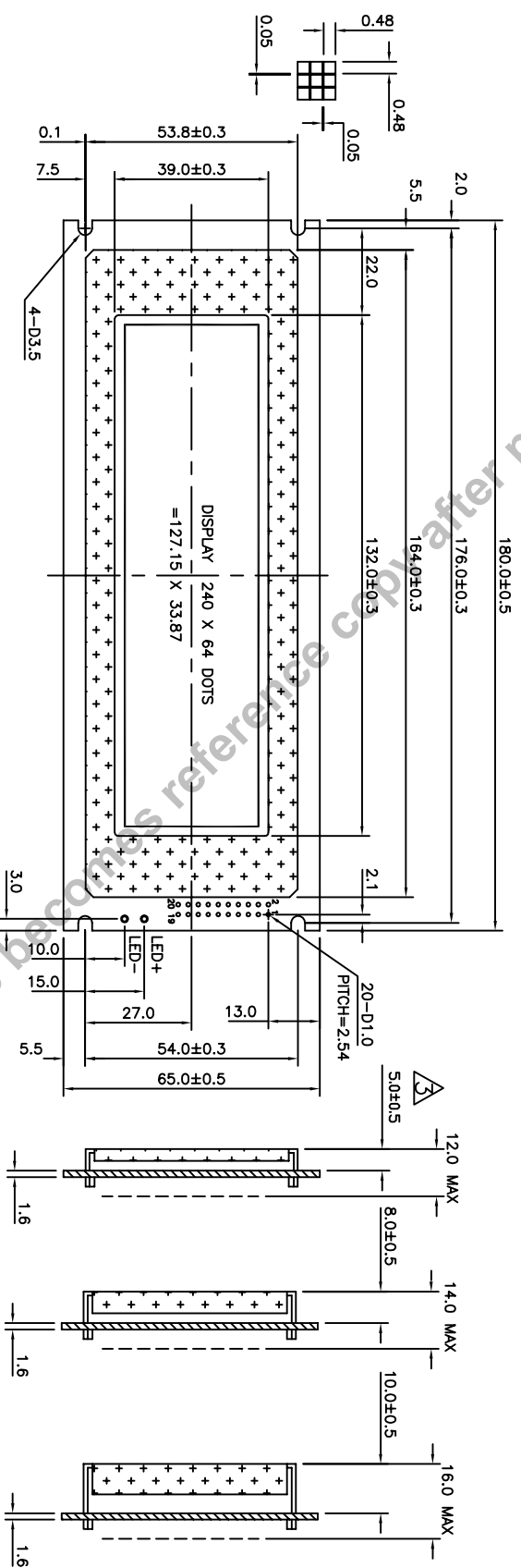
Tel: +86-755-8981 8866 Fax: +86-755-8427 6832

Email & Skype: info@chipsmall.com Web: www.chipsmall.com

Address: A1208, Overseas Decoration Building, #122 Zhenhua RD., Futian, Shenzhen, China



ISSUE	AMENDMENT	DATE
1	ADD 32K RAM	99.10.14
2	UPDATE DRAWING	02.05.24
3	MODIFY DIMENSION ADD NOTES	02.12.16



1	2	3	4	5	6	7	8	9	10	11	12	13	14	15	16	17	18	19	20
FG	VSS	VDD	VO	/WR	/RD	/CE	C/D	NC	/RST	DB0	DB1	DB2	DB3	DB4	DB5	DB6	DB7	FS	NC

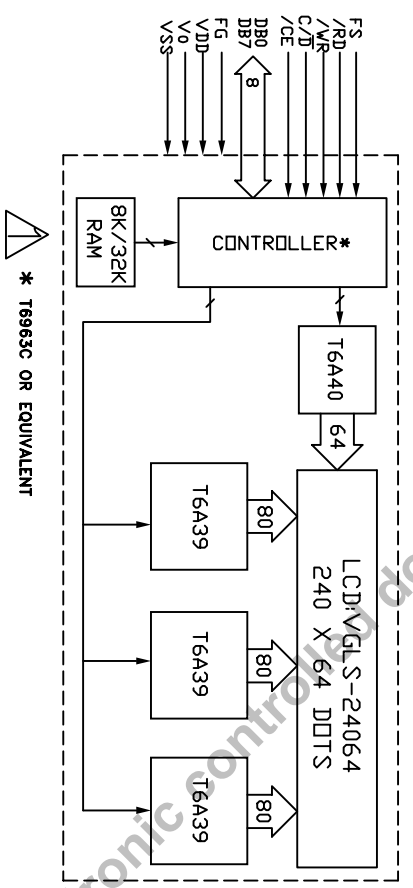
NOTES:

△ SPECIAL CHARACTERISTIC

+ SAFETY CHARACTERISTIC

○ REFERENCE ONLY

▽ CRITICAL DIMENSION



* T6963C OR EQUIVALENT

V VARRITRONIX LIMITED

TITLE: SPECIFICATION OF MODULE			
PROJECT NO: MGL(S)-24064			
TOLERANCE UNLESS OTHERWISE SPECIFIED:	X.X ±0.3 X.XX ±0.1		
DIMENSIONS IN MM			
MATERIAL:	FINISH:		
SCALE: DO NOT ON SCALE	THICKNESS:		
THIRD ANGLE PROJECTION			
DRAWN	NAME	SIZE	DATE
CHECKED	LUO XIAN GANG		02.12.16
APPROVED	HE JIAN WEN		
	DERRICK TAM		
ITEM NO. MGLS24064-XX			
DESCRIPTION: MGLS24064			
FILE NO: MGLS24064-XX R3.DWG/REV 3			
SHEET 1 OF 1			