



Chipsmall Limited consists of a professional team with an average of over 10 year of expertise in the distribution of electronic components. Based in Hongkong, we have already established firm and mutual-benefit business relationships with customers from,Europe,America and south Asia,supplying obsolete and hard-to-find components to meet their specific needs.

With the principle of “Quality Parts,Customers Priority,Honest Operation,and Considerate Service”,our business mainly focus on the distribution of electronic components. Line cards we deal with include Microchip,ALPS,ROHM,Xilinx,Pulse,ON,Everlight and Freescale. Main products comprise IC,Modules,Potentiometer,IC Socket,Relay,Connector.Our parts cover such applications as commercial,industrial, and automotives areas.

We are looking forward to setting up business relationship with you and hope to provide you with the best service and solution. Let us make a better world for our industry!



Contact us

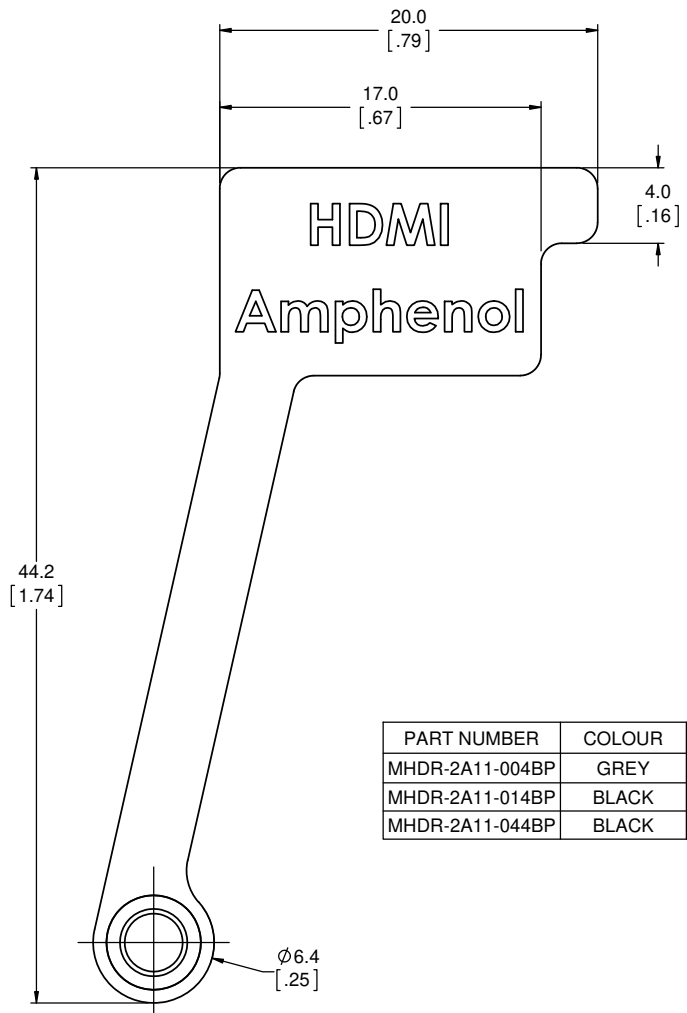
Tel: +86-755-8981 8866 Fax: +86-755-8427 6832

Email & Skype: info@chipsmall.com Web: www.chipsmall.com

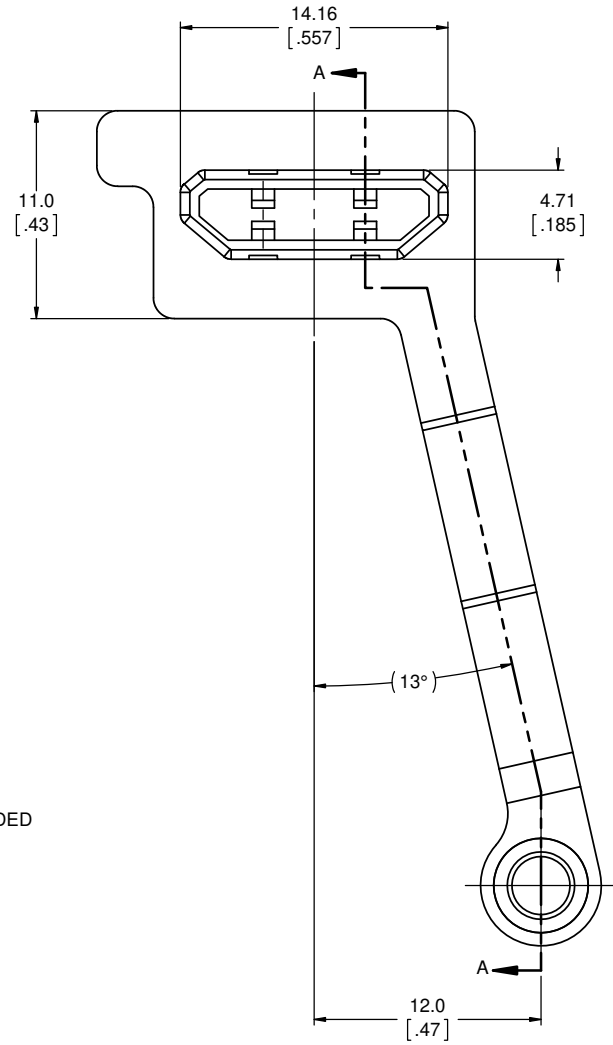
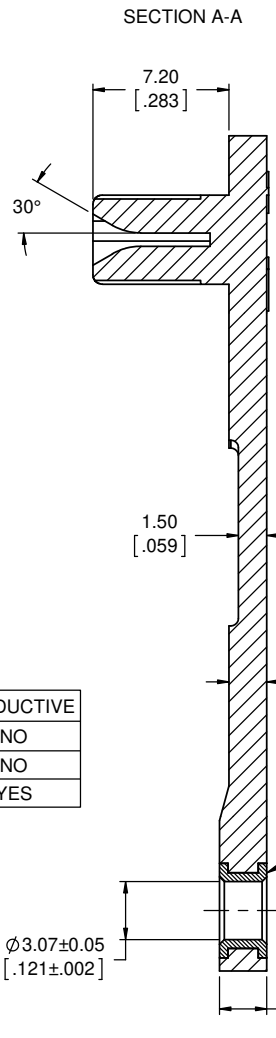
Address: A1208, Overseas Decoration Building, #122 Zhenhua RD., Futian, Shenzhen, China



REVISIONS			
REV	DESCRIPTION, ECN, EAR NO.	DATE	APP'D
C	PROPOSAL DRAWING (EAR 14387)	SEP24/15	K.L.
D	PRODUCT DRAWING (EAR 14387)	MAY20/16	K.L.

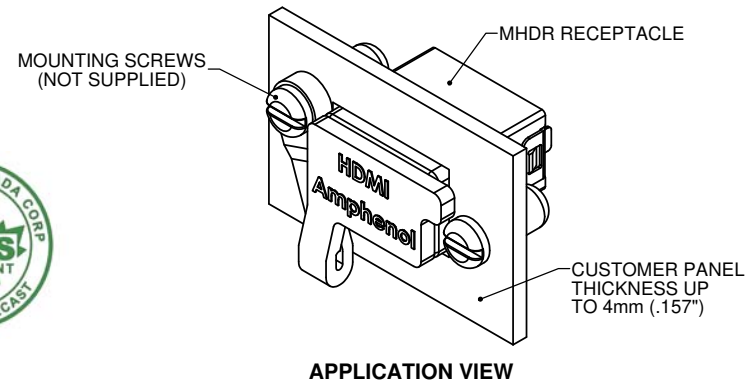


PART NUMBER	COLOUR	CONDUCTIVE
MHDR-2A11-004BP	GREY	NO
MHDR-2A11-014BP	BLACK	NO
MHDR-2A11-044BP	BLACK	YES



NOTES:

- MATERIALS: SEE ALSO PART NUMBER CHART
 - NON-CONDUCTIVE SILICONE RUBBER, 70 SHORE A DUROMETER, UL94V-0 FLAMMABILITY RATING OR
 - CONDUCTIVE SILICONE RUBBER, 75 SHORE A DUROMETER, 2.00 Ohm-cm VOLUME RESISTIVITY.
 - BUSHING - BRASS, NICKEL PLATED
- OPERATING TEMPERATURE: -40°C TO +105°C
- PART IS RoHS COMPLIANT PER EU DIRECTIVE 2011/65/EU AND AMENDMENTS.



UNLESS SPECIFIED OTHERWISE	DRAWN	B.COPPING	AUG13/15
PRIMARY UNITS MILLIMETERS	CHECKED	K.LAMBIE	AUG13/15
SECONDARY INCHES	M.E. APP'D		
REFERENCE IN PARENTHESES	Q.A. APP'D		
GENERAL TOLERANCES	DWG APPR.		
1 DECIMAL PLACE ±0.3	ENG. REL. NO.	EAR 14387	
2 DECIMAL PLACES ±0.15	REF.		
3 DECIMAL PLACES	THIRD ANGLE PROJECTION		
ANGULAR DEGREES	DO NOT SCALE DRAWING		

Amphenol Canada Corp.
www.amphenolcanada.com

MHDR SERIES DUST COVER,
COLOUR OPTIONS, RoHS COMPLIANT

DWG. NO. **P-MHDR-2A11-0X4BP** REV **D**

CODE ID NO. 03554 DWG SIZE: X SCALE: 5:1 SHEET 1 OF 1