



Chipsmall Limited consists of a professional team with an average of over 10 year of expertise in the distribution of electronic components. Based in Hongkong, we have already established firm and mutual-benefit business relationships with customers from,Europe,America and south Asia,supplying obsolete and hard-to-find components to meet their specific needs.

With the principle of "Quality Parts,Customers Priority,Honest Operation,and Considerate Service",our business mainly focus on the distribution of electronic components. Line cards we deal with include Microchip,ALPS,ROHM,Xilinx,Pulse,ON,Everlight and Freescale. Main products comprise IC,Modules,Potentiometer,IC Socket,Relay,Connector.Our parts cover such applications as commercial,industrial, and automotives areas.

We are looking forward to setting up business relationship with you and hope to provide you with the best service and solution. Let us make a better world for our industry!



Contact us

Tel: +86-755-8981 8866 Fax: +86-755-8427 6832

Email & Skype: info@chipsmall.com Web: www.chipsmall.com

Address: A1208, Overseas Decoration Building, #122 Zhenhua RD., Futian, Shenzhen, China


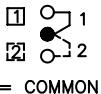
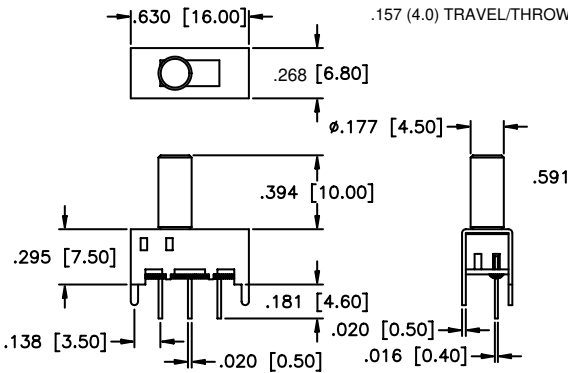
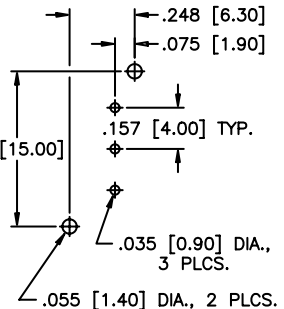

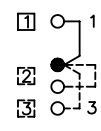
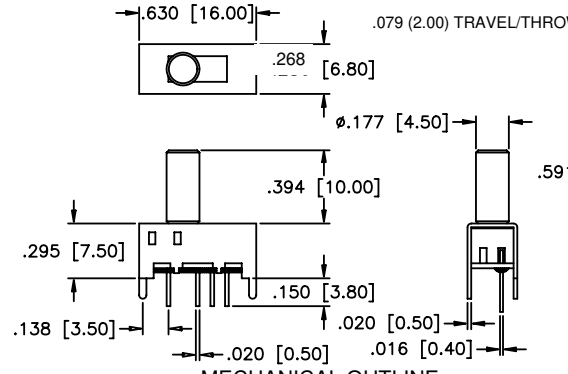
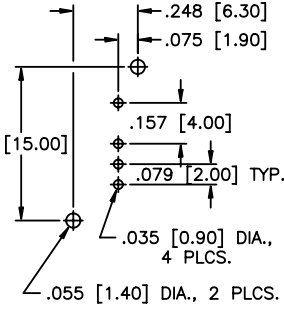


MHS Series

Miniature Slide Switches

with aluminum actuator

SPECIFICATIONS	FEATURES
<p>Contact rating: 300 mA at 30 VDC</p> <p>Initial contact resistance: 20 milliohms max.</p> <p>Insulation resistance: 100 megohms min. at 500 VDC</p> <p>Dielectric strength: 500 VAC for 1 minute</p> <p>Electrical life: 10,000 cycles min.</p> <p>Operating temperature range: -20°C to +85°C</p> <p>Solder heat resistance: 260°C max. for 3 seconds</p> <p>Actuation force: 250 ±150 grams</p> <p>Solvent washing permissible</p>	<ul style="list-style-type: none"> ● Miniature compact size. ● Wash-through open frame construction. ● Positive spring loaded ball detent mechanism. ● Epoxy sealed terminals.
MATERIALS	
<p>Contacts & terminals: Silver plated brass</p> <p>Housing: Tin plated steel</p> <p>Actuator: Aluminum alloy</p> <p>Base: Phenolic laminated sheet</p>	<p>Terminal seal: Epoxy</p>

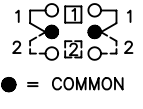
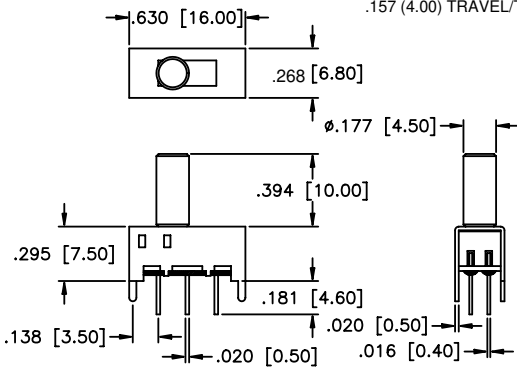
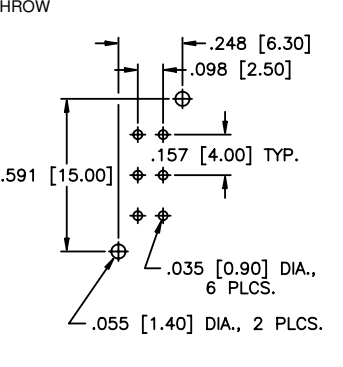
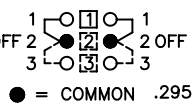
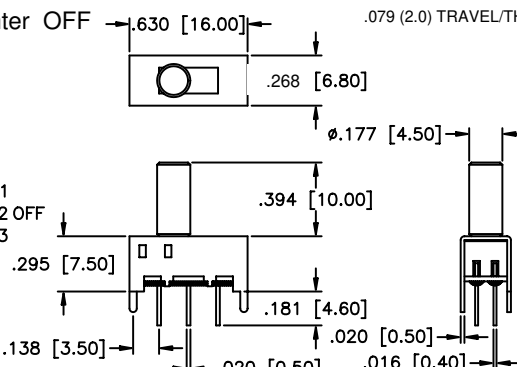
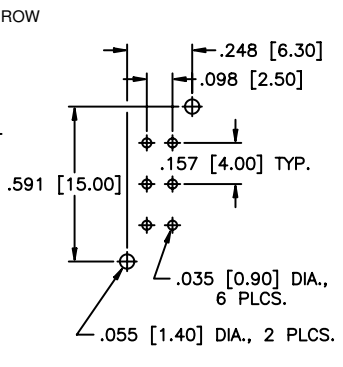
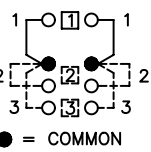
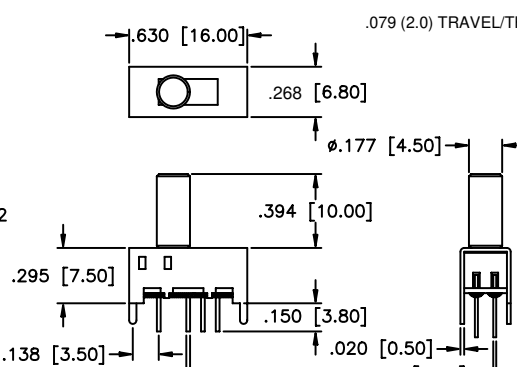
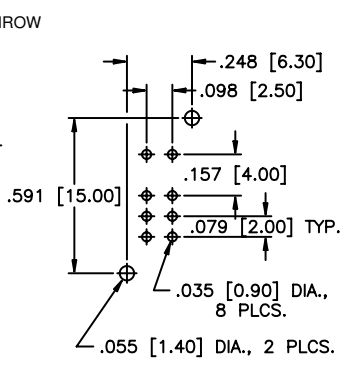
MODEL NO.			
MHS122K			
 <p>VERTICAL ACTUATOR</p>	<p>1P2T</p>  <p>● = COMMON</p>	 <p>MECHANICAL OUTLINE</p>	 <p>P.C. BOARD LAYOUT</p>
MODEL NO.			
MHS133K			
 <p>VERTICAL ACTUATOR</p>	<p>1P3T</p>  <p>● = COMMON</p>	 <p>MECHANICAL OUTLINE</p>	 <p>P.C. BOARD LAYOUT</p>

SPECIFICATIONS SUBJECT TO CHANGE WITHOUT NOTICE

MHS Series Miniature Slide Switches

with aluminum actuator

SPECIFICATIONS SUBJECT TO CHANGE WITHOUT NOTICE

<p>MODEL NO.</p> <p>MHS222K</p>	<p>2P2T</p>  <p>● = COMMON</p>	 <p style="text-align: center;">MECHANICAL OUTLINE</p>	 <p style="text-align: center;">P.C. BOARD LAYOUT</p>	
<p>VERTICAL ACTUATOR</p>	<p>MODEL NO.</p> <p>MHS223K</p>	<p>2P2T w/center OFF</p>  <p>● = COMMON</p>	 <p style="text-align: center;">MECHANICAL OUTLINE</p>	 <p style="text-align: center;">P.C. BOARD LAYOUT</p>
<p>VERTICAL ACTUATOR</p>	<p>MODEL NO.</p> <p>MHS233K</p>	<p>2P3T</p>  <p>● = COMMON</p>	 <p style="text-align: center;">MECHANICAL OUTLINE</p>	 <p style="text-align: center;">P.C. BOARD LAYOUT</p>
<p>VERTICAL ACTUATOR</p>	<p>SCHMATIC</p>	<p>SCHMATIC</p>	<p>SCHMATIC</p>	


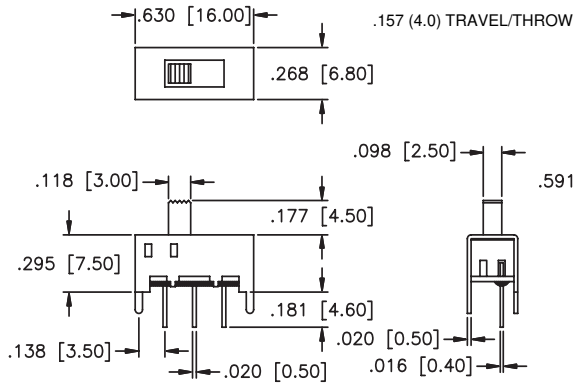
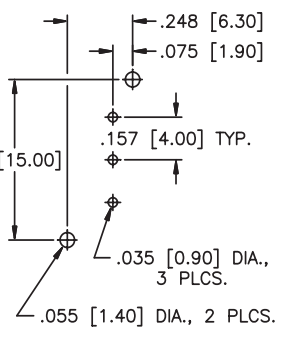

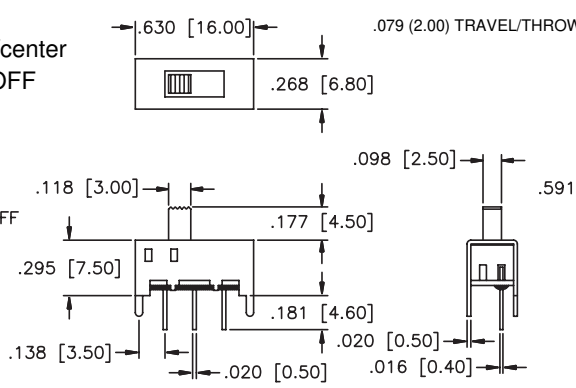
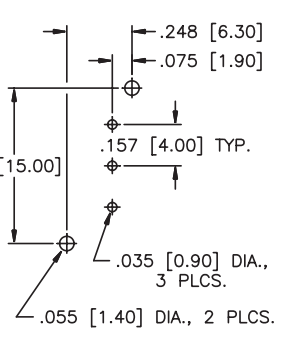

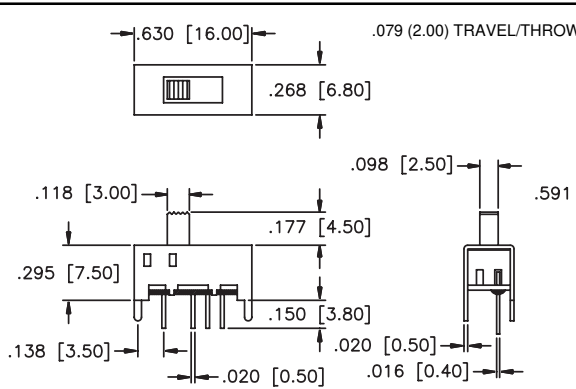
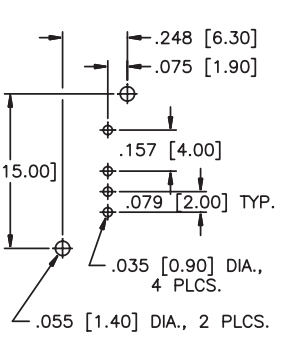
New!

MHS Series

Miniature Slide Switches

SPECIFICATIONS	FEATURES
<p>Contact rating: 300 mA at 30 VDC</p> <p>Initial contact resistance: 20 milliohms max.</p> <p>Insulation resistance: 100 megohms min. at 500 VDC</p> <p>Dielectric strength: 500 VAC for 1 minute</p> <p>Electrical life: 10,000 cycles min.</p> <p>Operating temperature range: -20°C to +85°C</p> <p>Solder heat resistance: 260°C max. for 3 seconds</p> <p>Actuation force: 250 ±150 grams</p> <p>Solvent washing permissible</p>	<ul style="list-style-type: none"> ● Miniature compact size. ● Wash-through open frame construction. ● Positive spring loaded ball detent mechanism. ● Epoxy sealed terminals.
	MATERIALS
	<p>Contacts & terminals: Silver plated brass</p> <p>Housing: Tin plated steel</p> <p>Actuator: Polyacetal</p> <p>Base: Phenolic laminated sheet</p> <p style="text-align: right;">Terminal seal: Epoxy</p>

SPECIFICATIONS SUBJECT TO CHANGE WITHOUT NOTICE


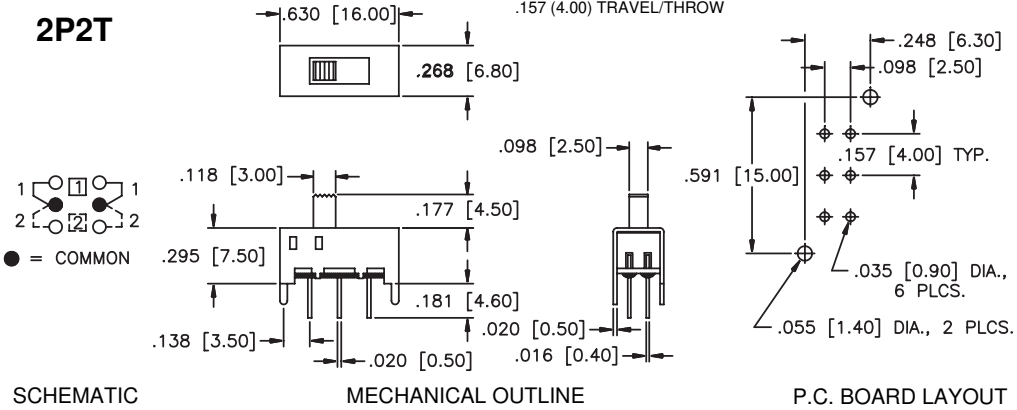

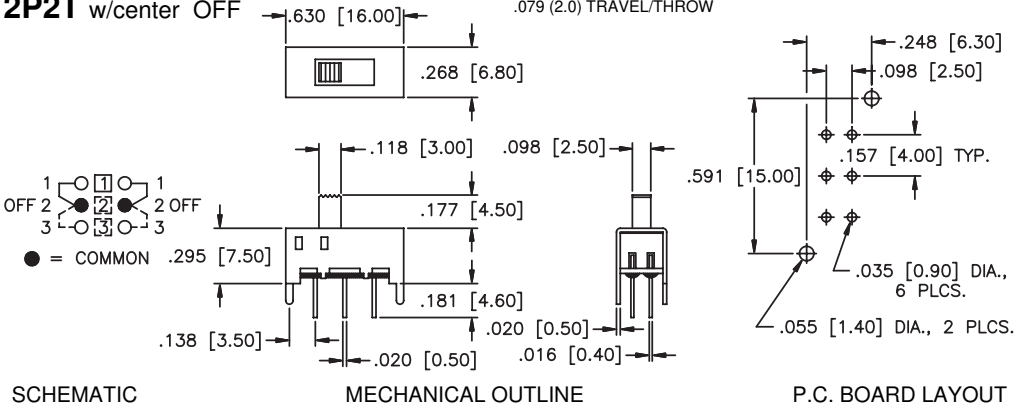

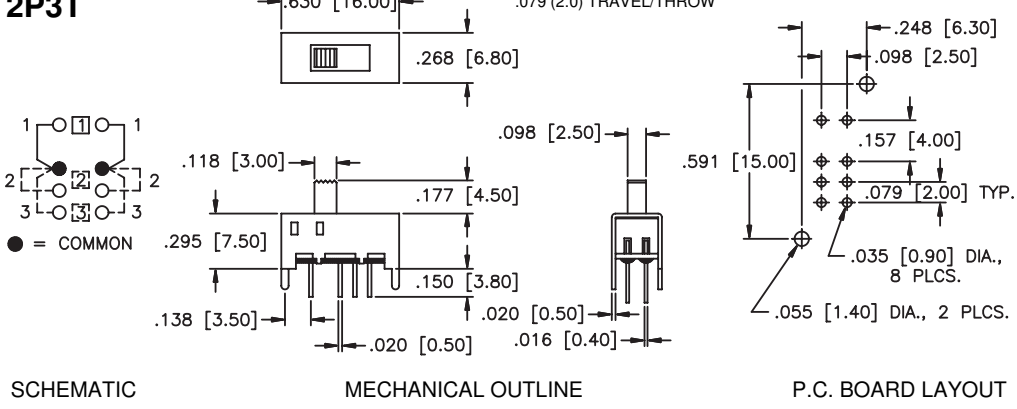
MODEL NO.			
MHS122			
	1P2T		
VERTICAL ACTUATOR	SCHEMATIC	MECHANICAL OUTLINE	P.C. BOARD LAYOUT
MODEL NO.			
MHS123			
	1P2T w/center OFF		
VERTICAL ACTUATOR	SCHEMATIC	MECHANICAL OUTLINE	P.C. BOARD LAYOUT
MODEL NO.			
MHS133			
	1P3T		
VERTICAL ACTUATOR	SCHEMATIC	MECHANICAL OUTLINE	P.C. BOARD LAYOUT

MHS Series

Miniature Slide Switches

New!

SPECIFICATIONS SUBJECT TO CHANGE WITHOUT NOTICE

<p>MODEL NO.</p> <p>MHS222</p>  <p>VERTICAL ACTUATOR</p>	<p>2P2T</p>  <p>SCHMATIC MECHANICAL OUTLINE P.C. BOARD LAYOUT</p>
<p>MODEL NO.</p> <p>MHS223</p>  <p>VERTICAL ACTUATOR</p>	<p>2P2T w/center OFF</p>  <p>SCHMATIC MECHANICAL OUTLINE P.C. BOARD LAYOUT</p>
<p>MODEL NO.</p> <p>MHS233</p>  <p>VERTICAL ACTUATOR</p>	<p>2P3T</p>  <p>SCHMATIC MECHANICAL OUTLINE P.C. BOARD LAYOUT</p>