



Chipsmall Limited consists of a professional team with an average of over 10 year of expertise in the distribution of electronic components. Based in Hongkong, we have already established firm and mutual-benefit business relationships with customers from,Europe,America and south Asia,supplying obsolete and hard-to-find components to meet their specific needs.

With the principle of "Quality Parts,Customers Priority,Honest Operation,and Considerate Service",our business mainly focus on the distribution of electronic components. Line cards we deal with include Microchip,ALPS,ROHM,Xilinx,Pulse,ON,Everlight and Freescale. Main products comprise IC,Modules,Potentiometer,IC Socket,Relay,Connector.Our parts cover such applications as commercial,industrial, and automotives areas.

We are looking forward to setting up business relationship with you and hope to provide you with the best service and solution. Let us make a better world for our industry!



## Contact us

Tel: +86-755-8981 8866 Fax: +86-755-8427 6832

Email & Skype: info@chipsmall.com Web: www.chipsmall.com

Address: A1208, Overseas Decoration Building, #122 Zhenhua RD., Futian, Shenzhen, China

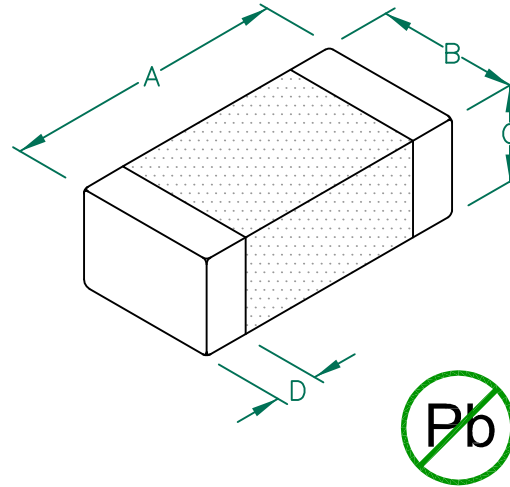


# MI1206K601R-10

**UNCONTROLLED DOCUMENT**

**PHYSICAL DIMENSIONS:**

A	3.20 [.126]	+ 0.20 [.008]
B	1.60 [.063]	+ 0.20 [.008]
C	1.10 [.043]	+ 0.20 [.008]
D	0.51 [.020]	+ 0.25 [.010]

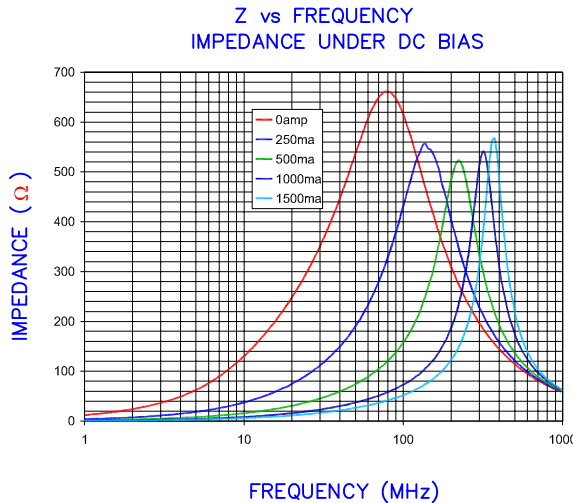


**ELECTRICAL CHARACTERISTICS:**

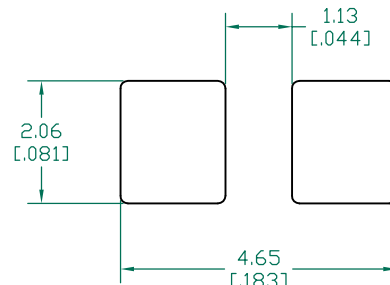
	Z @ 100MHz ( Ω )	DCR ( Ω )	Rated Current
Nominal	600		
Minimum	450		
Maximum	750	0.080	1500 mA

NOTES: UNLESS OTHERWISE SPECIFIED

1. TAPED AND REELED per CURRENT EIA SPECIFICATIONS 7" REELS, 3000 PCS/REEL.
2. TERMINATION FINISH IS 100% TIN.
3. COMPONENTS SHOULD BE ADEQUATELY PREHEATED BEFORE SOLDERING.
4. OPERATING TEMP. RANGE: -40°C~+125°C. (INCLUDING SELF-HEATING)

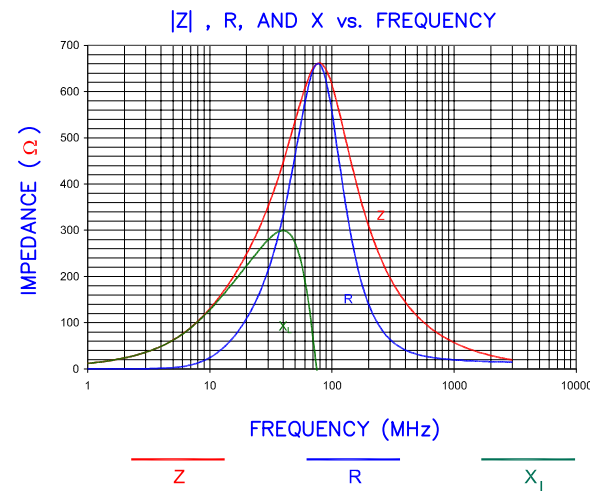
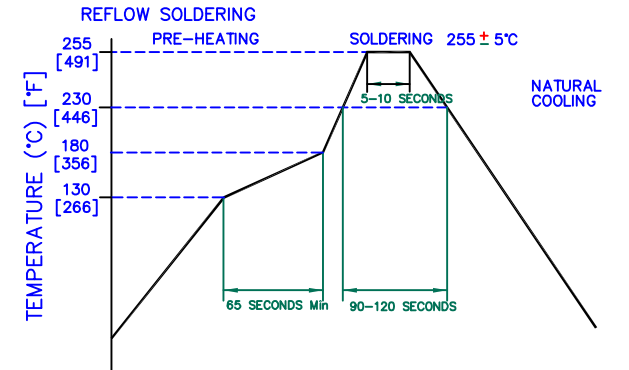


**LAND PATTERNS FOR REFLOW SOLDERING**



(For wave soldering, add 0.762 (.030) to this dimension)

**RECOMMENDED SOLDERING CONDITIONS**



AGILENT E4991A RF Impedance/Material Analyzer  
HP 16194A Test Fixture. TEST REF. 3227



DIMENSIONS ARE IN mm [INCHES].				This print is the property of Laird Tech. and is loaned in confidence subject to return upon request and with the understanding that no copies shall be made without the written consent of Laird Tech. All rights to design or invention are reserved.			<b>Laird</b>	
E	ADD OPERATING TEMPERATURE UPDATE LAIRD LOGO AND REFLOW CURVE	08/05/13	QU	PROJECT/PART NUMBER:	MI1206K601R-10	REV	PART TYPE:	DRAWN BY:
D	CHANGE SOLDERING TEMPERATURE FROM 250	07/12/10	JUN			E	CO-FIRE	TMB
C	UPDATE COMPANY LOGO	08/22/08	JRK					
B	ADD ROHS SYMBOL CHANGE CURRENT RATING	06/24/05	JRK	DATE:	03/26/04	SCALE:	NTS	SHEET:
A	ORIGINAL DRAFT	03/26/04	TMB	CAD #	MI1206K601R-10-E	TOOL #	-	2 of 2
REV	DESCRIPTION	DATE	INT					