



Chipsmall Limited consists of a professional team with an average of over 10 year of expertise in the distribution of electronic components. Based in Hongkong, we have already established firm and mutual-benefit business relationships with customers from,Europe,America and south Asia,supplying obsolete and hard-to-find components to meet their specific needs.

With the principle of “Quality Parts,Customers Priority,Honest Operation,and Considerate Service”,our business mainly focus on the distribution of electronic components. Line cards we deal with include Microchip,ALPS,ROHM,Xilinx,Pulse,ON,Everlight and Freescale. Main products comprise IC,Modules,Potentiometer,IC Socket,Relay,Connector.Our parts cover such applications as commercial,industrial, and automotives areas.

We are looking forward to setting up business relationship with you and hope to provide you with the best service and solution. Let us make a better world for our industry!



Contact us

Tel: +86-755-8981 8866 Fax: +86-755-8427 6832

Email & Skype: info@chipsmall.com Web: www.chipsmall.com

Address: A1208, Overseas Decoration Building, #122 Zhenhua RD., Futian, Shenzhen, China

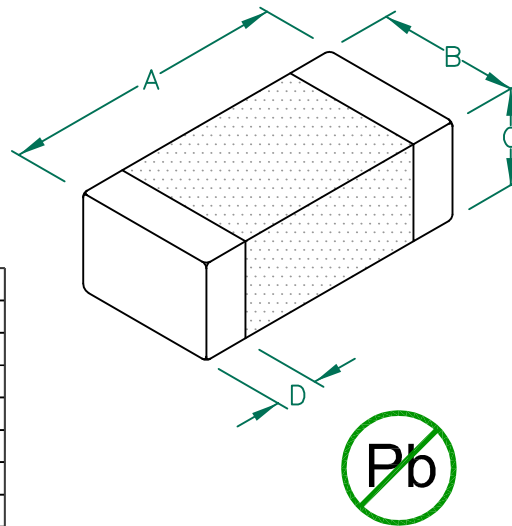


MI1206L391R-10

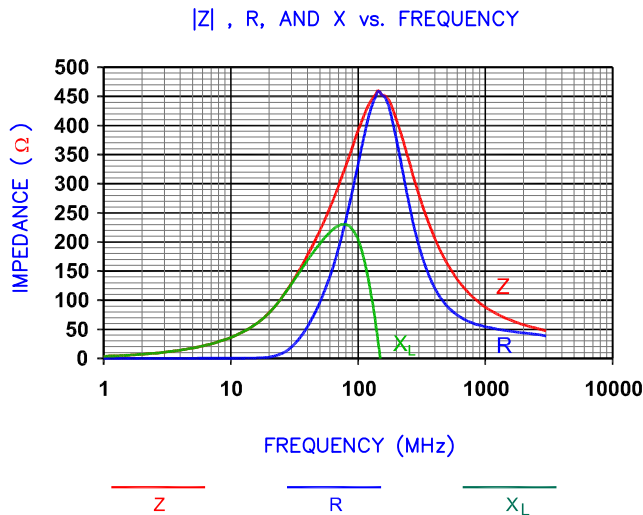
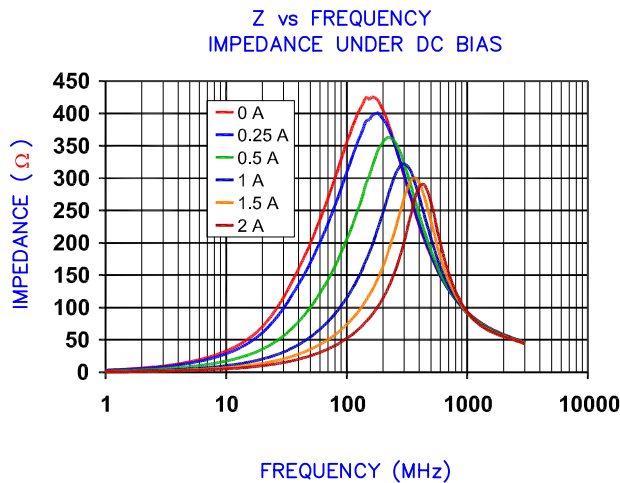
UNCONTROLLED DOCUMENT

PHYSICAL DIMENSIONS:

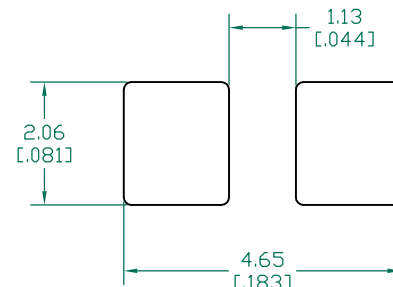
A	3.20 [.126]	+ 0.20 [.008]
B	1.60 [.063]	+ 0.20 [.008]
C	1.10 [.043]	+ 0.20 [.008]
D	0.51 [.020]	+ 0.25 [.010]



ELECTRICAL CHARACTERISTICS:			
Z @ 100MHz (Ω)	DCR (Ω)	Rated Current	
Nominal	390		
Minimum	293		
Maximum	488	0.050	2000 mA

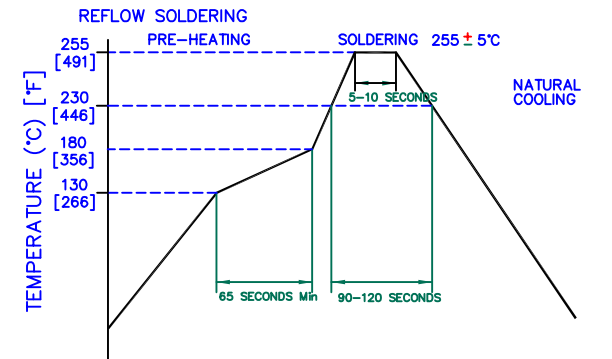


LAND PATTERNS FOR REFLOW SOLDERING



(For wave soldering, add 0.762 (.030) to this dimension)

RECOMMENDED SOLDERING CONDITIONS



DIMENSIONS ARE IN mm [INCHES].				This print is the property of Laird Tech. and is loaned in confidence subject to return upon request and with the understanding that no copies shall be made without the written consent of Laird Tech. All rights to design or invention are reserved.			
E	UPDATE LAIRD LOGO AND NOTES 4	08/05/13	QU				
D	UPDATE SOLDERING CONDITIONS, AND ADD OPERATION TEMPERATURE	08/05/11	WEI				
C	UPDATE COMPANY LOGO	08/25/08	JRK				
B	ADD DC BIAS AND Z R X CURVES	11/10/06	TMB				
A	ORIGINAL DRAFT	11/07/06	JRK				
REV	DESCRIPTION	DATE	INT	PROJECT/PART NUMBER: MI1206L391R-10	REV: E	PART TYPE: CO-FIRE	DRAWN BY: JRK
				DATE: 08/05/11	SCALE: NTS	SHEET: 2 of 2	
				CAD # MI1206L391R-10-E	TOOL # -		

