



Chipsmall Limited consists of a professional team with an average of over 10 year of expertise in the distribution of electronic components. Based in Hongkong, we have already established firm and mutual-benefit business relationships with customers from,Europe,America and south Asia,supplying obsolete and hard-to-find components to meet their specific needs.

With the principle of “Quality Parts,Customers Priority,Honest Operation,and Considerate Service”,our business mainly focus on the distribution of electronic components. Line cards we deal with include Microchip,ALPS,ROHM,Xilinx,Pulse,ON,Everlight and Freescale. Main products comprise IC,Modules,Potentiometer,IC Socket,Relay,Connector.Our parts cover such applications as commercial,industrial, and automotives areas.

We are looking forward to setting up business relationship with you and hope to provide you with the best service and solution. Let us make a better world for our industry!



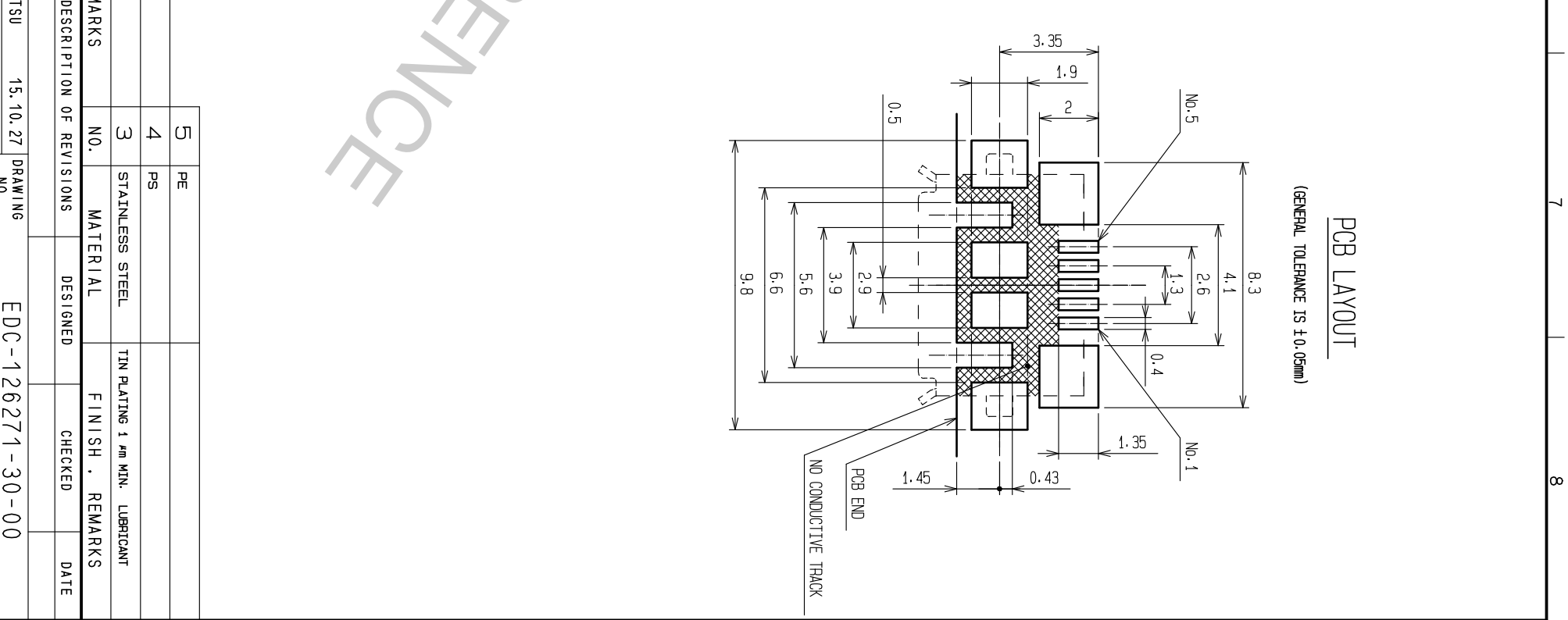
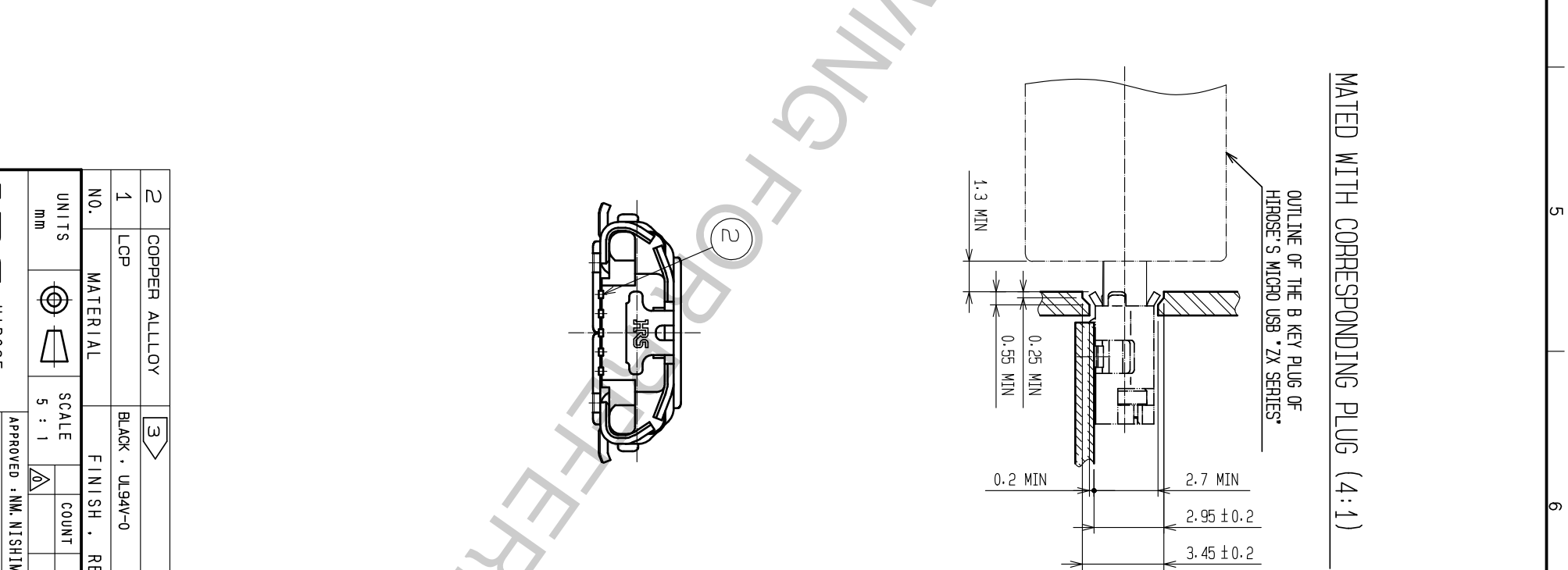
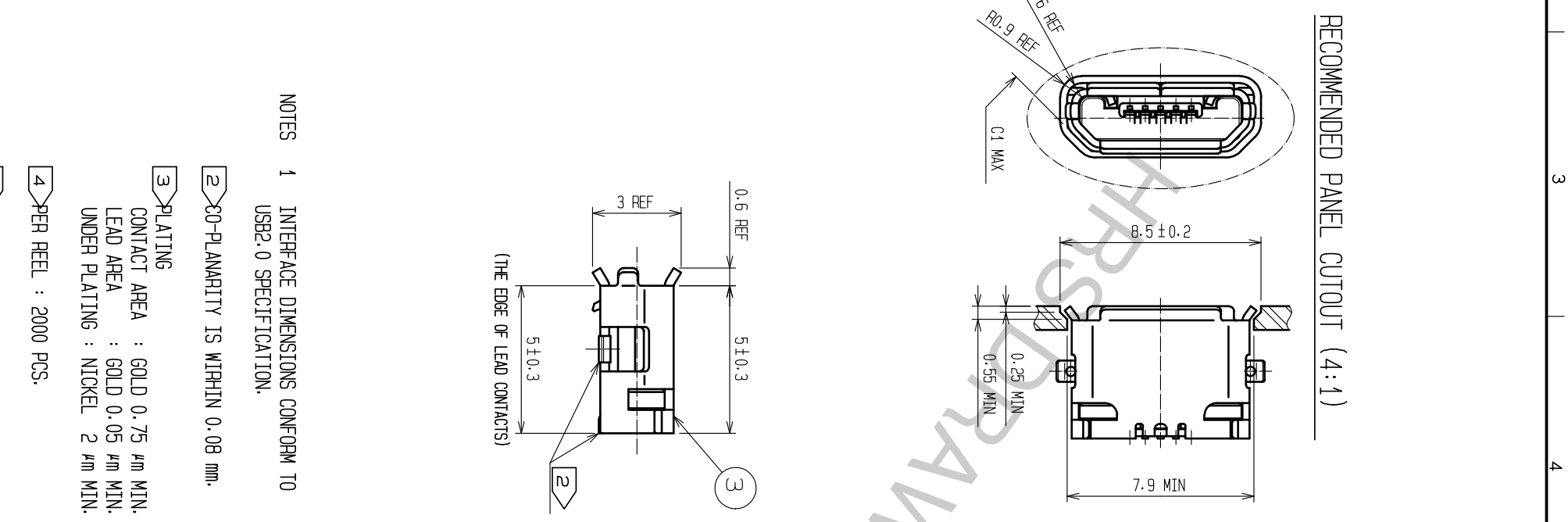
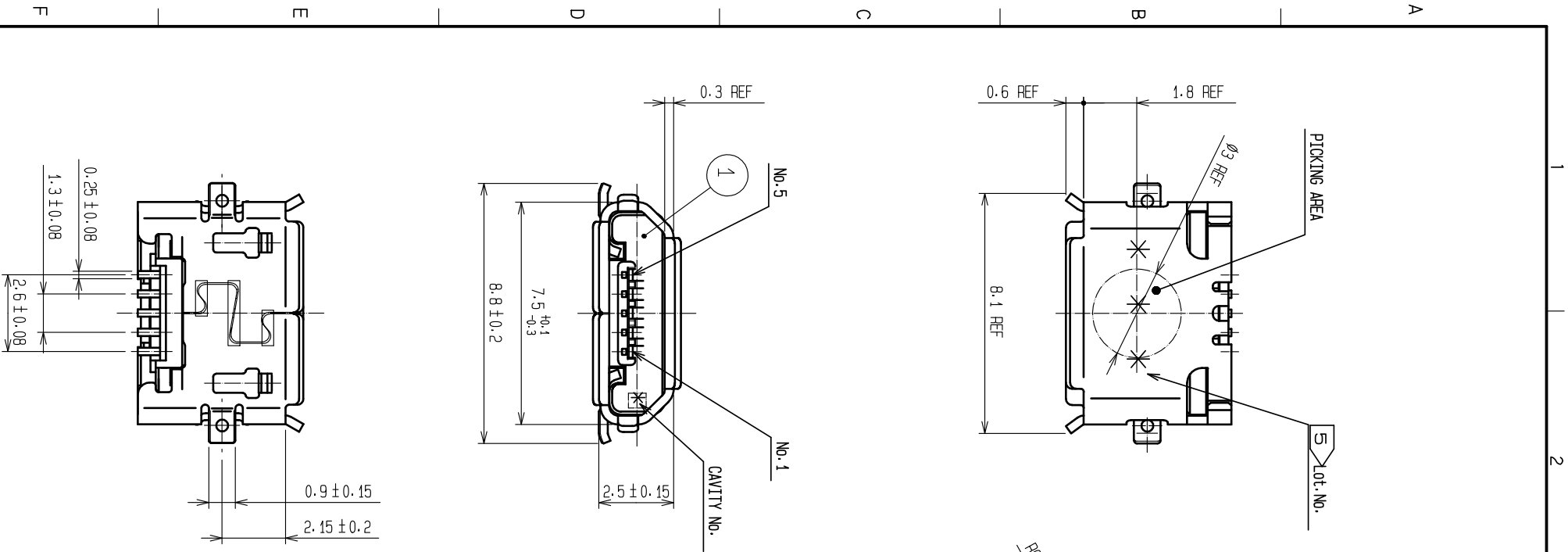
Contact us

Tel: +86-755-8981 8866 Fax: +86-755-8427 6832

Email & Skype: info@chipsmall.com Web: www.chipsmall.com

Address: A1208, Overseas Decoration Building, #122 Zhenhua RD., Futian, Shenzhen, China

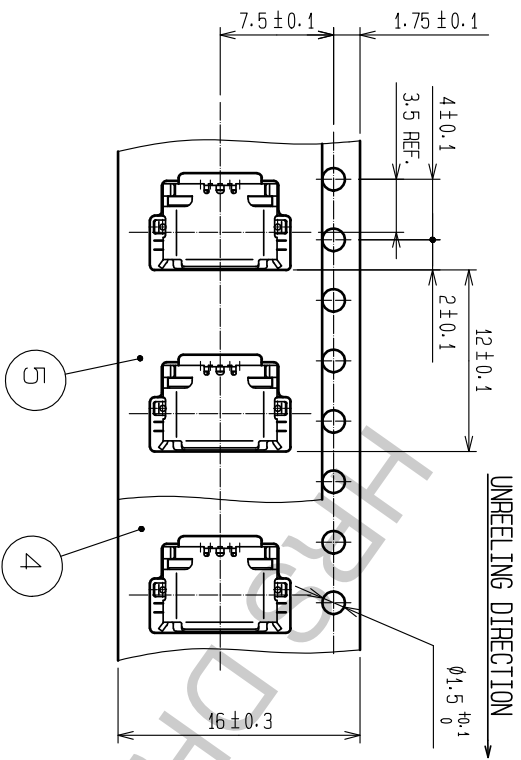




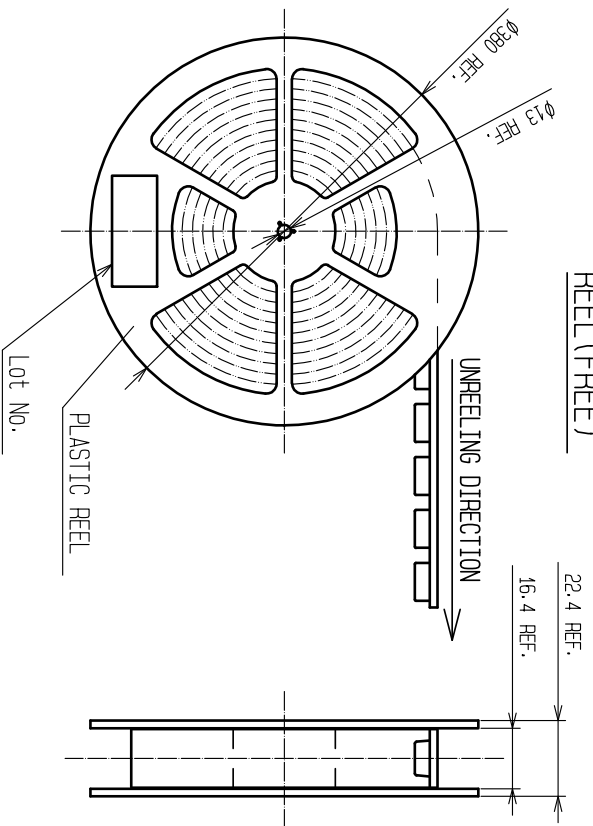
NOTES
 1 INTERFACE DIMENSIONS CONFORM TO USB2.0 SPECIFICATION.
 2 30-PLANARITY IS WITHIN 0.08 mm.
 3 PLATING
 CONTACT AREA : GOLD 0.75 μm MIN.
 LEAD AREA : GOLD 0.05 μm MIN.
 UNDER PLATING : NICKEL 2 μm MIN.
 4 PER REEL : 2000 PCS.
 5 CODE CONFIGURATION IS SHOWN IN FIG. 1

2	COPPER ALLOY	3	PE			
1	LCP	4	PS			
NO.	MATERIAL	FINISH . REMARKS	NO.	MATERIAL	FINISH . REMARKS	
UNITS	SCALE	COUNT	DESCRIPTION OF REVISIONS	DESIGNED	CHECKED	DATE
mm	5 : 1					
APPROVED : NM. NISHIMATSU		15.10.27		DRAWING NO.		
CHECKED : KN. ICHIKAWA		15.10.27		PART NO.		
DESIGNED : TS. ITO		15.10.27		CODE NO.		
DRAWN : AK. AKIYAMA		15.10.27		NO.		
HRS		HIROSE ELECTRIC CO., LTD.		EDC-126271-30-00		
Z62R-B-5P(30)		CL242-0028-8-30		1/2		

4 DRAWING FOR PACKING (2:1)



REEL (FREE)



5 Fig. 1 LOT CODE CONFIGURATION FOR 3 DIGITS

YEAR	YEAR CODE	MONTH			DAY						
		MONTH CODE	DAY CODE	DAY CODE	DAY CODE	DAY CODE	DAY CODE	DAY CODE	DAY CODE	DAY CODE	
2007	7	Jan.	A	1	1	11	B	21	M		
2008	8	Feb.	B	2	2	12	C	22	N		
2009	9	Mar.	C	3	3	13	D	23	P		
2010	0	Apr.	D	4	4	14	E	24	Q		
2011	1	May.	E	5	5	15	F	25	R		
		Jun.	F	6	6	16	G	26	S		
		JUL.	G	7	7	17	H	27	T		
		AUG.	H	8	8	18	J	28	U		
		Sep.	I	9	9	19	K	29	V		
		Oct.	J	10	A	20	L	30	W		
		NOV.	K					31	X		
		Dec.	L								