



Chipsmall Limited consists of a professional team with an average of over 10 year of expertise in the distribution of electronic components. Based in Hongkong, we have already established firm and mutual-benefit business relationships with customers from,Europe,America and south Asia,supplying obsolete and hard-to-find components to meet their specific needs.

With the principle of “Quality Parts,Customers Priority,Honest Operation,and Considerate Service”,our business mainly focus on the distribution of electronic components. Line cards we deal with include Microchip,ALPS,ROHM,Xilinx,Pulse,ON,Everlight and Freescale. Main products comprise IC,Modules,Potentiometer,IC Socket,Relay,Connector.Our parts cover such applications as commercial,industrial, and automotives areas.

We are looking forward to setting up business relationship with you and hope to provide you with the best service and solution. Let us make a better world for our industry!



## Contact us

Tel: +86-755-8981 8866 Fax: +86-755-8427 6832

Email & Skype: info@chipsmall.com Web: www.chipsmall.com

Address: A1208, Overseas Decoration Building, #122 Zhenhua RD., Futian, Shenzhen, China





# MIC38300 Evaluation Board

## 3A HELDO™ High Efficiency Low Dropout Regulator

### General Description

The MIC38300 is a 3A peak, 2.2A continuous current step down converter and the first device in a new generation of HELDO™ (High Efficiency Low Dropout) regulators providing the benefits of LDOs in respect to ease of use, fast transient performance, high PSRR and low noise while offering the efficiency of a switching regulator.

### Requirements

The MIC38300 Evaluation board requires an input power supply able to provide greater than 3A at 3V.

### Precautions

The evaluation board does not have reverse polarity protection. Applying a negative voltage to the  $V_{IN}$  (J1) terminal may damage the device.

The MIC38300 evaluation board is tailored for a low voltage input supply range. It should not exceed 5.5V on the input.

### Getting Started

Connect an external supply to  $V_{IN}$ . Apply desired input voltage to the  $V_{IN}$  (J1) and ground (J2 and J6) terminals of the evaluation board, paying careful attention to polarity and supply voltage ( $3.0V \leq V_{IN} \leq 5.5V$ ). An ammeter may be placed between the input supply and the  $V_{IN}$  terminal to the evaluation board. Ensure that the supply voltage is monitored at the  $V_{IN}$  terminal. The ammeter and/or power lead resistance can reduce the voltage supplied to the input.

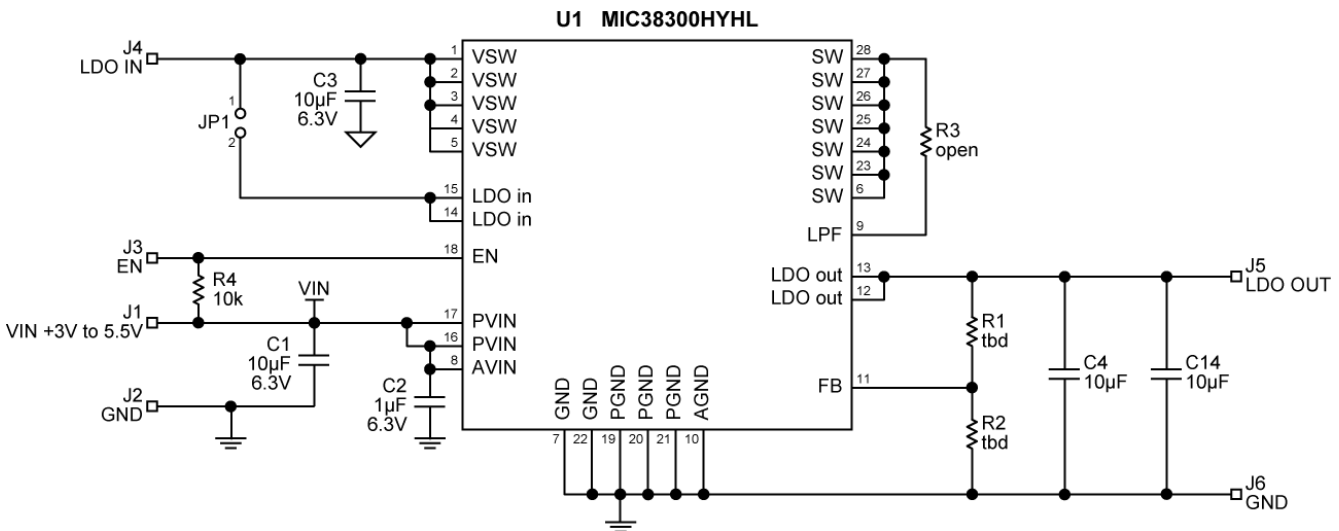
### Revisions

There are two revisions of the MIC38300 Evaluation Board. The new, second revision, of the MIC38300 evaluation board has the label "BD#070507" on the lower left hand corner of the back side. The first revision has the label "040507 MAJ" located at the same corner.

### Ordering Information

Part Number	Description
MIC38300HYHL EV	Evaluation board with MIC38300HYHL adjustable device.

### Evaluation Board Schematic Revision 2 (BD#070507)



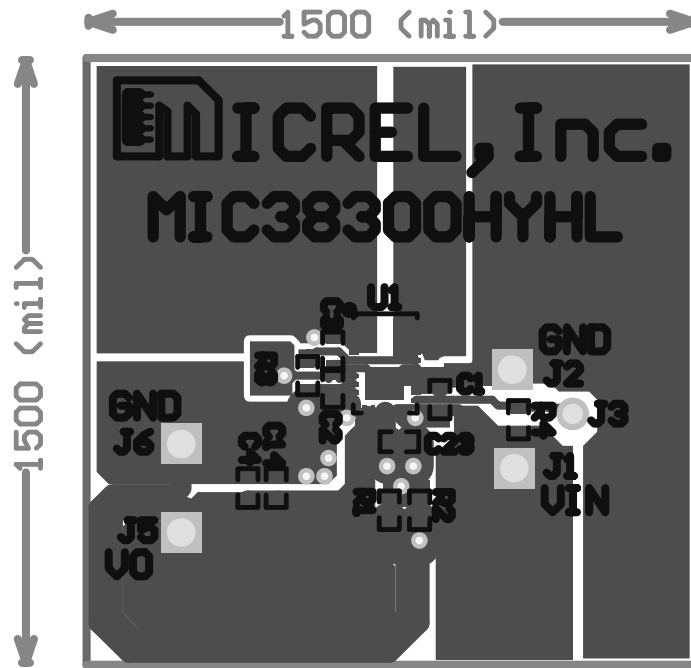
**Bill of Materials Revision 2 (BD#070507)**

Item	Part Number	Manufacturer	Description	Qty.
C1, C3, C4, C14, C23	06036D106KMAT2A	AVX <sup>(1)</sup>	10uF, 6.3V X5R Ceramic Capacitor	1
	JMK107BJ106MA-T	Taiyo Yuden <sup>(5)</sup>		
	C1608X5R0J106K	TDK <sup>(3)</sup>		
	GRM188R60J106M	Murata <sup>(2)</sup>		
C2	C1608X5R0J105K	TDK <sup>(3)</sup>	10uF, 6.3V X5R Ceramic Capacitor	1
	06036D105KAT2A	AVX <sup>(1)</sup>		
	GRM188R60J105KE19D	Murata <sup>(2)</sup>		
	VJ0603G105KXYAT	Vishay <sup>(4)</sup>		
R1	CRCW06038061FRT1	Vishay <sup>(4)</sup>	8k, 1%, 1/10W, 0603	1
R2, R4	CRCW06031002KEYE3	Vishay <sup>(4)</sup>	10k, 1%, 1/10W, 0603	2
R3	CRCW06032492FRT1	Vishay <sup>(4)</sup>	24.9k, 1%, 1/10W, 0603	1
<b>U1</b>	<b>MIC38300-HYHL</b>	<b>Micrel, Inc.<sup>(6)</sup></b>	<b>28-Pin 4mm x 6mm MLF<sup>®</sup></b>	<b>1</b>

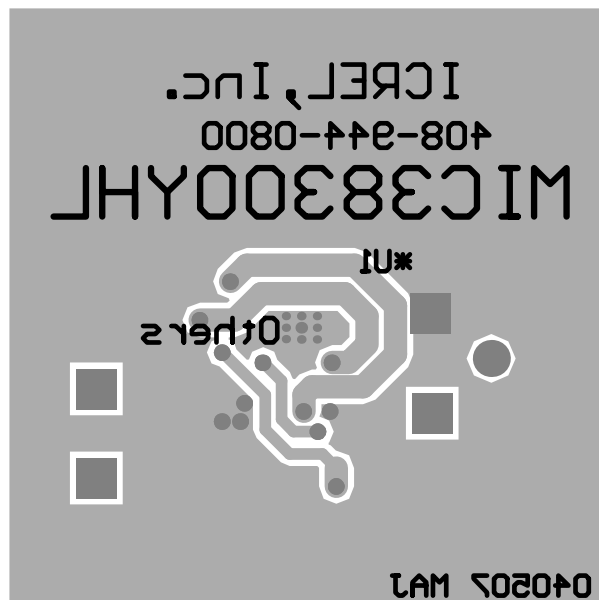
**Notes:**

1. AVX: [www.avx.com](http://www.avx.com)
2. Murata: [www.murata.com](http://www.murata.com)
3. TDK: [www.tdk.com](http://www.tdk.com)
4. Vishay: [www.vishay.com](http://www.vishay.com)
5. Taiyo Yuden: [www.t-yuden.com](http://www.t-yuden.com)
6. **Micrel, Inc.:** [www.micrel.com](http://www.micrel.com)

PCB Layout Revision 2 (BD#070507)

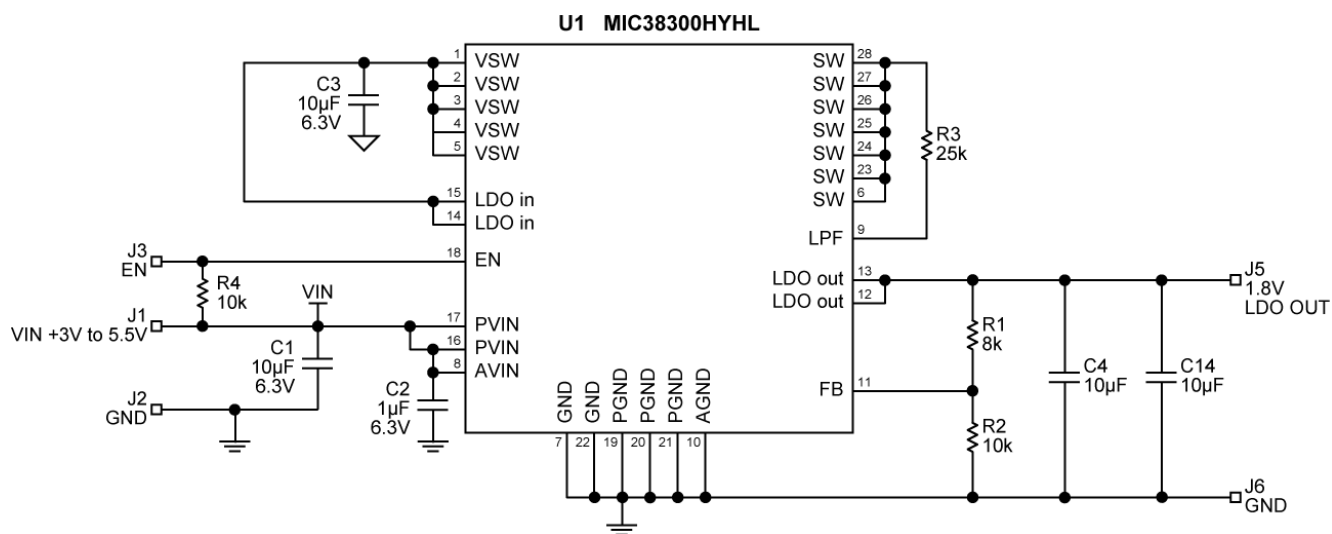


Top



Bottom

### Evaluation Board Revision 1 (040507 MAJ) Schematic



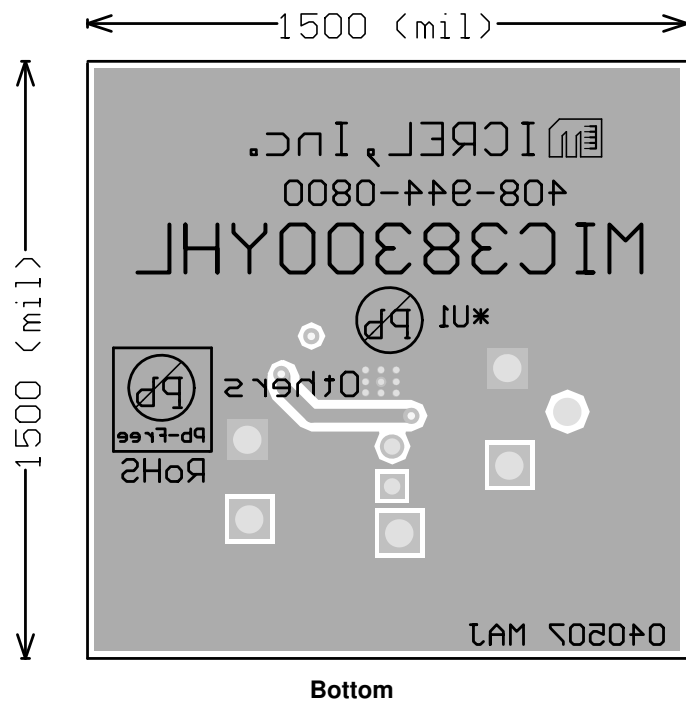
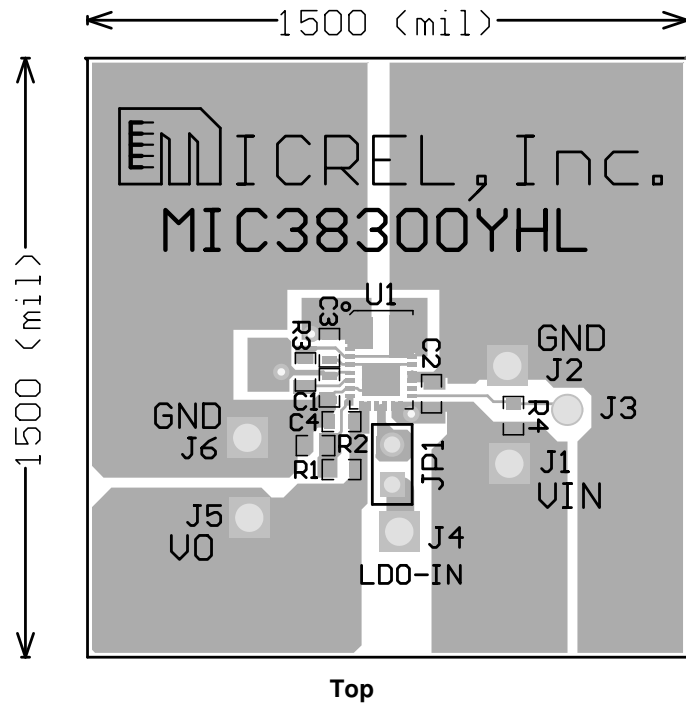
### Bill of Materials Revision 1 (040507 MAJ)

Item	Part Number	Manufacturer	Description	Qty.
C1, C3, C4	06036D106KMAT2A	AVX <sup>(1)</sup>	10uF, 6.3V X5R Ceramic Capacitor	1
	JMK107BJ106MA-T	Taiyo Yuden <sup>(5)</sup>		
	C1608X5R0J106K	TDK <sup>(3)</sup>		
	GRM188R60J106M	Murata <sup>(2)</sup>		
C2	C1608X5R0J105K	TDK <sup>(3)</sup>	10uF, 6.3V X5R Ceramic Capacitor	1
	06036D105KAT2A	AVX <sup>(1)</sup>		
	GRM188R60J105KE19D	Murata <sup>(2)</sup>		
	VJ0603G105KXYAT	Vishay <sup>(4)</sup>		
R1	CRCW06038061FRT1	Vishay <sup>(4)</sup>	8k, 1%, 1/10W, 0603	1
R2, R4	CRCW06031002KEYE3	Vishay <sup>(4)</sup>	10k, 1%, 1/10W, 0603	2
R3	CRCW06032492FRT1	Vishay <sup>(4)</sup>	24.9k, 1%, 1/10W, 0603	1
<b>U1</b>	<b>MIC38300-HYHL</b>	<b>Micrel, Inc.<sup>(6)</sup></b>	<b>28-Pin 4mm x 6mm MLF<sup>®</sup></b>	<b>1</b>

**Notes:**

1. AVX: [www.avx.com](http://www.avx.com)
2. Murata: [www.murata.com](http://www.murata.com)
3. TDK: [www.tdk.com](http://www.tdk.com)
4. Vishay: [www.vishay.com](http://www.vishay.com)
5. Taiyo Yuden: [www.t-yuden.com](http://www.t-yuden.com)
6. Micrel, Inc.: [www.micrel.com](http://www.micrel.com)

### PCB Layout Revision 1 (040507 MAJ)



---

**MICREL, INC. 2180 FORTUNE DRIVE SAN JOSE, CA 95131 USA**  
TEL +1 (408) 944-0800 FAX +1 (408) 474-1000 WEB <http://www.micrel.com>

The information furnished by Micrel in this data sheet is believed to be accurate and reliable. However, no responsibility is assumed by Micrel for its use. Micrel reserves the right to change circuitry and specifications at any time without notification to the customer.

Micrel Products are not designed or authorized for use as components in life support appliances, devices or systems where malfunction of a product can reasonably be expected to result in personal injury. Life support devices or systems are devices or systems that (a) are intended for surgical implant into the body or (b) support or sustain life, and whose failure to perform can be reasonably expected to result in a significant injury to the user. A Purchaser's use or sale of Micrel Products for use in life support appliances, devices or systems is a Purchaser's own risk and Purchaser agrees to fully indemnify Micrel for any damages resulting from such use or sale.

© 2007 Micrel, Incorporated.