



Chipsmall Limited consists of a professional team with an average of over 10 year of expertise in the distribution of electronic components. Based in Hongkong, we have already established firm and mutual-benefit business relationships with customers from,Europe,America and south Asia,supplying obsolete and hard-to-find components to meet their specific needs.

With the principle of "Quality Parts,Customers Priority,Honest Operation,and Considerate Service",our business mainly focus on the distribution of electronic components. Line cards we deal with include Microchip,ALPS,ROHM,Xilinx,Pulse,ON,Everlight and Freescale. Main products comprise IC,Modules,Potentiometer,IC Socket,Relay,Connector.Our parts cover such applications as commercial,industrial, and automotives areas.

We are looking forward to setting up business relationship with you and hope to provide you with the best service and solution. Let us make a better world for our industry!



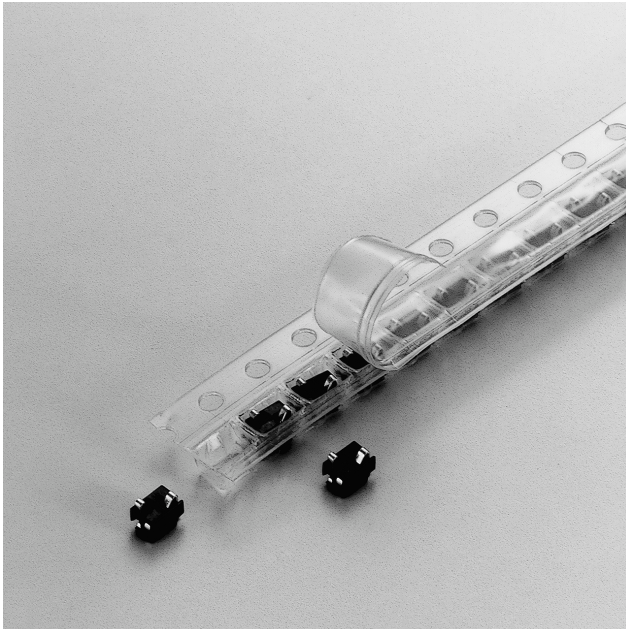
Contact us

Tel: +86-755-8981 8866 Fax: +86-755-8427 6832

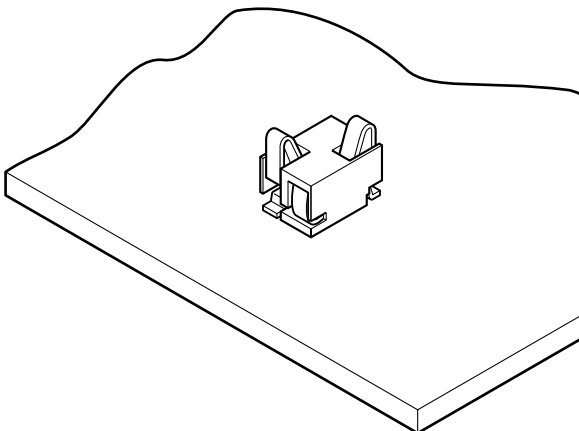
Email & Skype: info@chipsmall.com Web: www.chipsmall.com

Address: A1208, Overseas Decoration Building, #122 Zhenhua RD., Futian, Shenzhen, China



**1.0mm**
pitch*Compression type*

Compression type connector developed for compact equipment such as mobile phone.



Features

• Compact

Projected area is only 2.0 x 2.8mm, with 1.8mm height.

• High contact pressure

Despite its smallness, the contact provides contact pressure of 0.7N per circuit thanks to the curled spring design, giving stable contact performance even under conditions of vibration.

• Heat resisting design suitable for surface mounting

The housing is made of highly heat resisting resin to allow reflow soldering.

• Emboss taping for automatic mounting

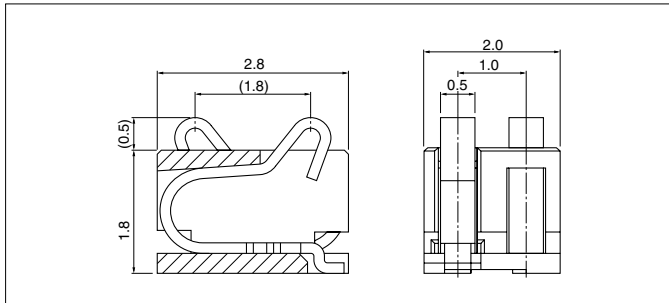
The MIH connector is supplied in the form of emboss taping for automatic mounting.

Specifications

- Current rating: 0.5A DC
- Voltage rating: 20V DC
- Temperature range: -25°C to +85°C
(including temperature rise in applying electrical current)
- Contact resistance: Initial value/30m Ω max.
After environmental testing/50m Ω max.
- Insulation resistance: 1,000M Ω min.
- Withstanding voltage: 100V AC/minute
- * Compliant with RoHS.
- * Refer to "General Instruction and Notice when using Terminals and Connectors" at the end of this catalog.
- * Contact JST for details.

MIH CONNECTOR

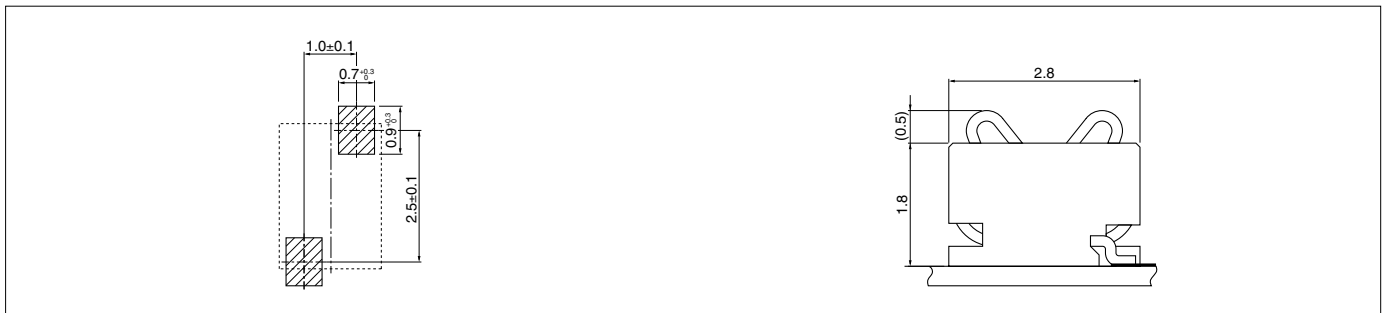
Contact



Model No.	Material and Finish	Q'ty / reel
MIH-2-412-TF	Contact: Beryllium copper alloy, nickel-undercoated, gold-plated Housing: Glass-filled LCP, UL94V-0, black	6,000

RoHS compliance

PC board layout (viewed from component side) and Assembly layout



Note:

1. Tolerances are non-cumulative: ± 0.1 mm for all centers.
2. The dimensions above should serve as a guideline. Contact JST for details.