



Chipsmall Limited consists of a professional team with an average of over 10 year of expertise in the distribution of electronic components. Based in Hongkong, we have already established firm and mutual-benefit business relationships with customers from,Europe,America and south Asia,supplying obsolete and hard-to-find components to meet their specific needs.

With the principle of “Quality Parts,Customers Priority,Honest Operation,and Considerate Service”,our business mainly focus on the distribution of electronic components. Line cards we deal with include Microchip,ALPS,ROHM,Xilinx,Pulse,ON,Everlight and Freescale. Main products comprise IC,Modules,Potentiometer,IC Socket,Relay,Connector.Our parts cover such applications as commercial,industrial, and automotives areas.

We are looking forward to setting up business relationship with you and hope to provide you with the best service and solution. Let us make a better world for our industry!



Contact us

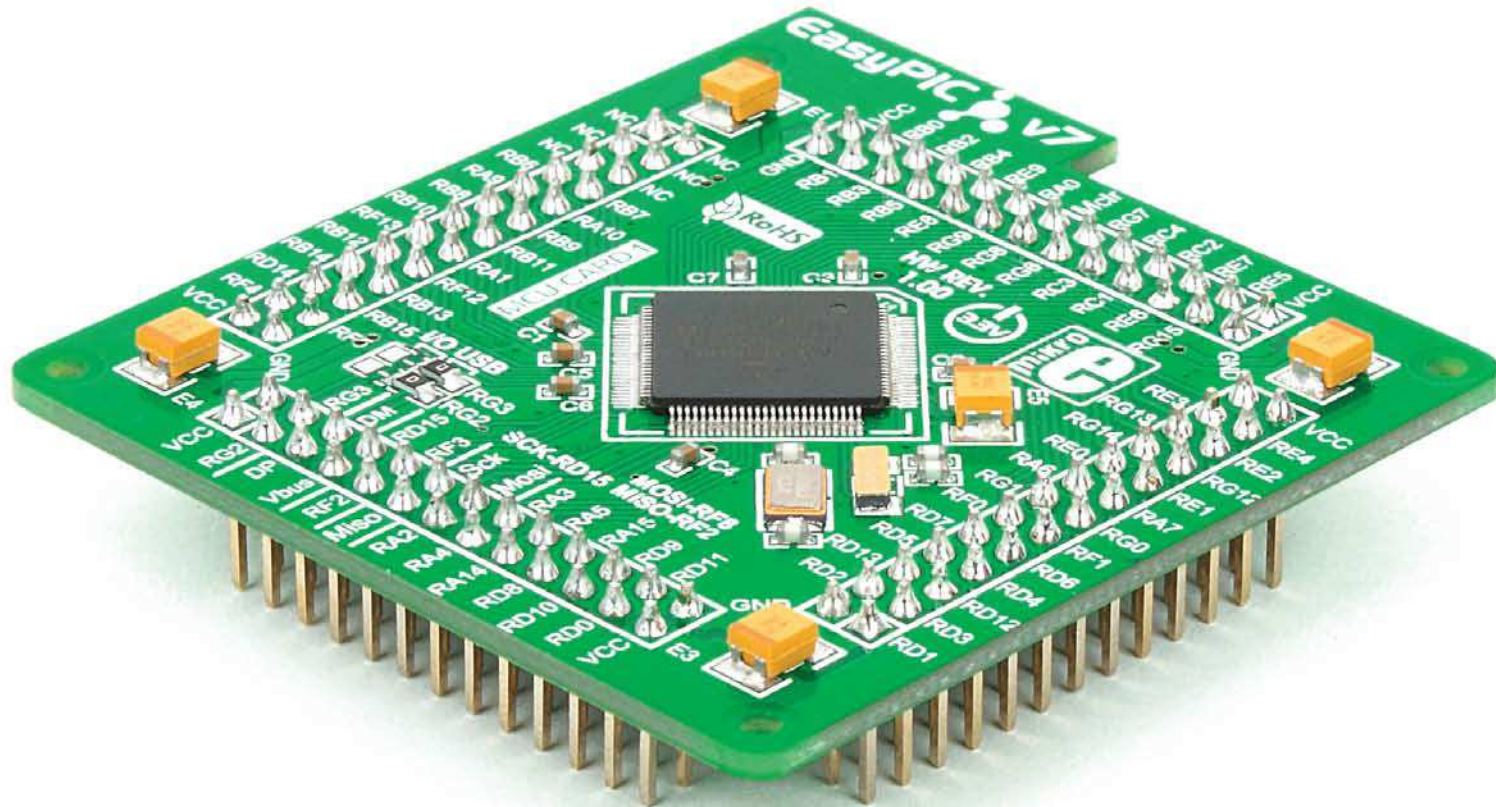
Tel: +86-755-8981 8866 Fax: +86-755-8427 6832

Email & Skype: info@chipsmall.com Web: www.chipsmall.com

Address: A1208, Overseas Decoration Building, #122 Zhenhua RD., Futian, Shenzhen, China



100-pin TQFP PT MCU CARD 2 with PIC32MX460F512L



Card information

The PT MCU CARD 2 is shown on **Figure 1**. It contains **PIC32MX460F512L** microcontroller with on-chip peripherals and is a great choice for both beginners and professionals. After testing and building the final program, this card can also be taken out of the board socket and used in your final device.

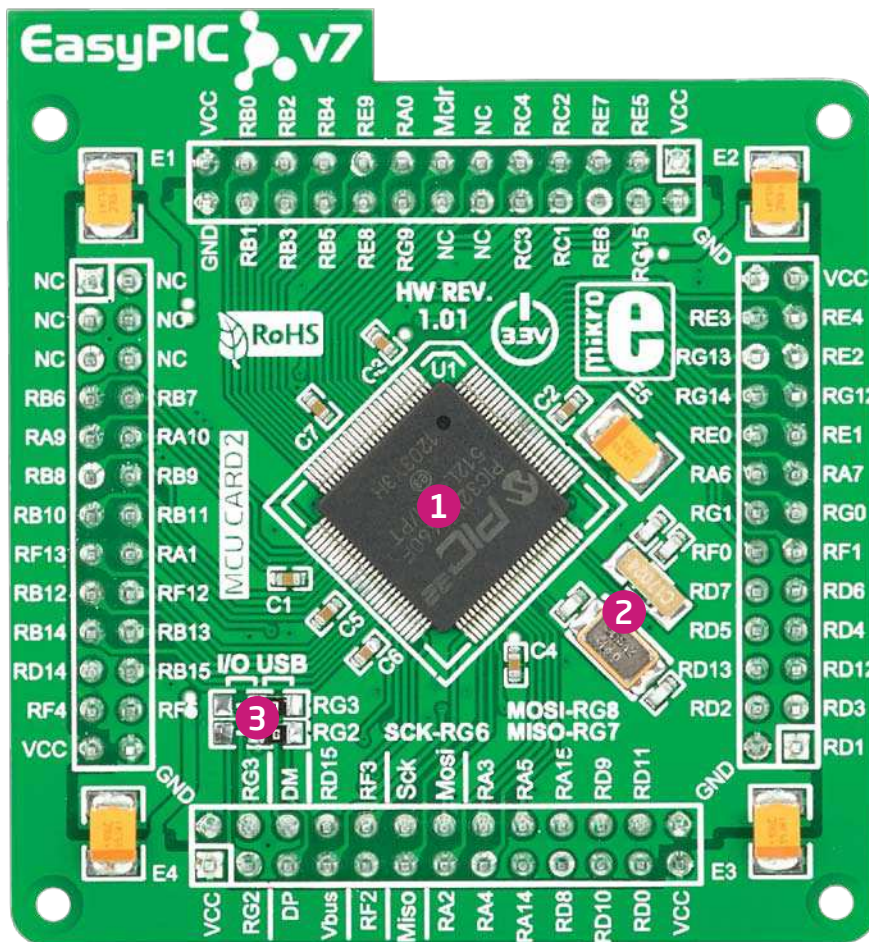


Figure 1: MCU card with PIC32MX460F512L

- 1** **PIC32MX460F512L** has **80MHz** maximum frequency, **512K bytes** of program memory (flash), **32K bytes** of data memory. It has **USB** (OTG, Host, Device), 85 General purpose **I/O pins**, 5 **16-bit timers**, 10-bit **ADC** (16 ch), 2 **UARTs**, internal 8 MHz and 32kHz oscillators, internal Real time clock (**RTC**), 2 **I2C**, 2 **SPI** controllers. It also contains 2 **analog comparators** and programming and debugging interface.
- 2** **8MHz crystal oscillator**. We carefully chose the most convenient crystal value that provides clock frequency which can be used directly, or with the PLL multipliers to create higher MCU clock value. MCU card also contains 32.768 kHz crystal oscillator which provides external clock waveform for RTCC module.
- 3** **USB communications lines**. These two jumpers, when in USB position, connect D+ and D- lines of the on-board USB connector with RG2 and RG3 microcontroller pins. Since **PIC32MX460F512L** supports USB, jumpers are in USB position.

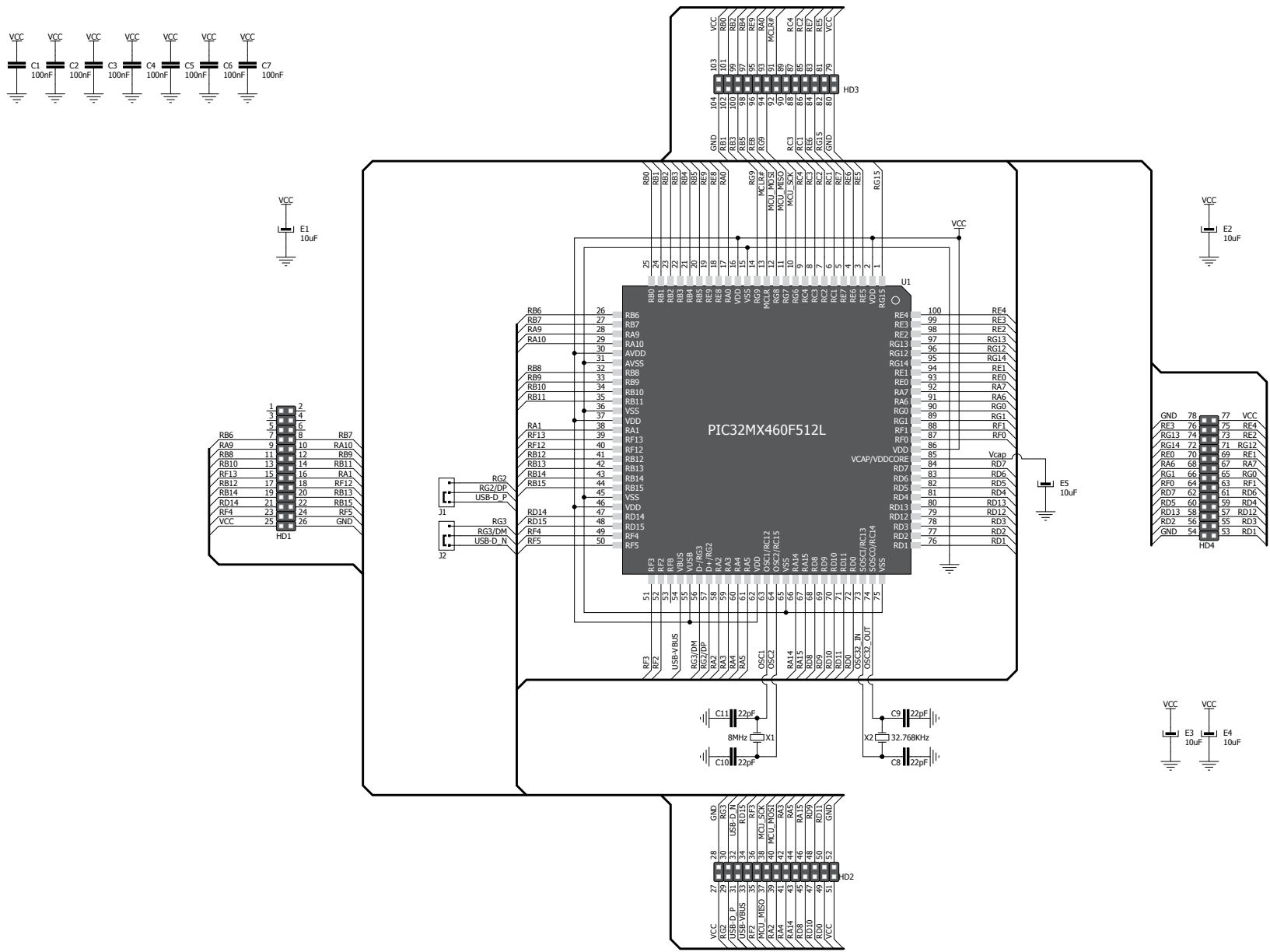


Figure 2: MCU card schematic

Card dimensions

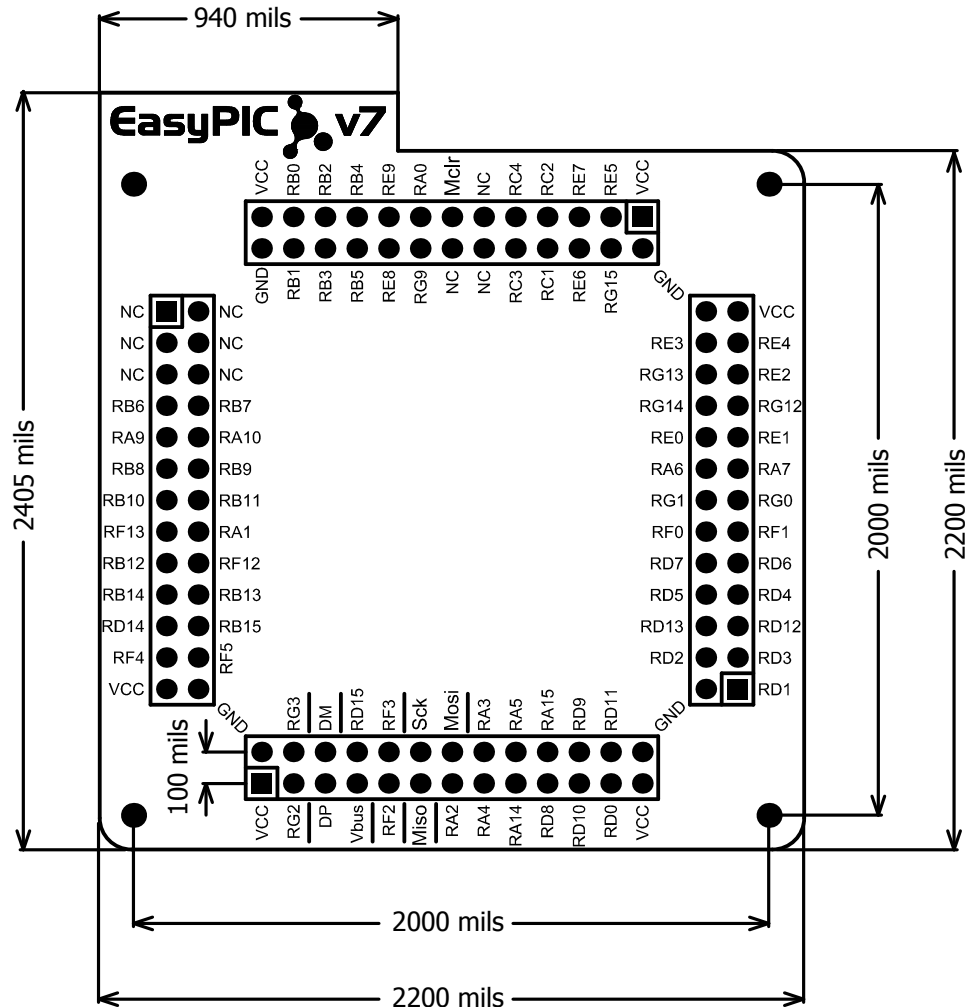
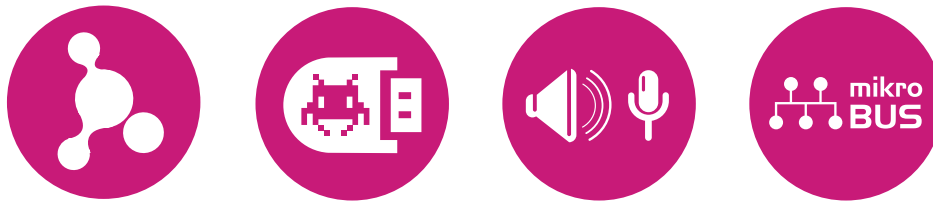


Figure 3: MCU card dimensions.



If you want to learn more about our products, please visit our website at www.mikroe.com

If you are experiencing some problems with any of our products or just need additional information, please place your ticket at www.mikroe.com/esupport

If you have any questions, comments or business proposals,
do not hesitate to contact us at office@mikroe.com