



Chipsmall Limited consists of a professional team with an average of over 10 year of expertise in the distribution of electronic components. Based in Hongkong, we have already established firm and mutual-benefit business relationships with customers from,Europe,America and south Asia,supplying obsolete and hard-to-find components to meet their specific needs.

With the principle of “Quality Parts,Customers Priority,Honest Operation,and Considerate Service”,our business mainly focus on the distribution of electronic components. Line cards we deal with include Microchip,ALPS,ROHM,Xilinx,Pulse,ON,Everlight and Freescale. Main products comprise IC,Modules,Potentiometer,IC Socket,Relay,Connector.Our parts cover such applications as commercial,industrial, and automotives areas.

We are looking forward to setting up business relationship with you and hope to provide you with the best service and solution. Let us make a better world for our industry!



Contact us

Tel: +86-755-8981 8866 Fax: +86-755-8427 6832

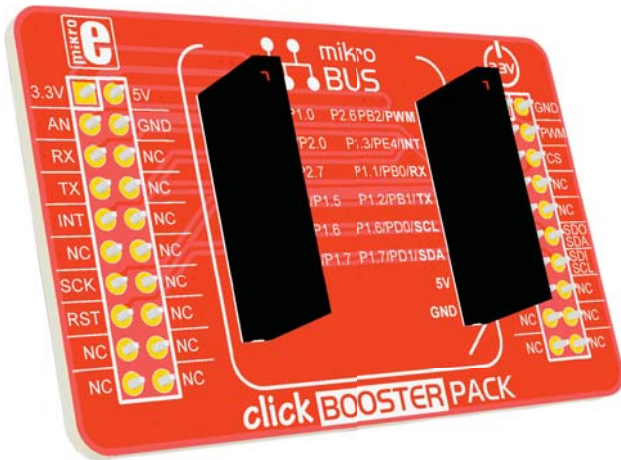
Email & Skype: info@chipsmall.com Web: www.chipsmall.com

Address: A1208, Overseas Decoration Building, #122 Zhenhua RD., Futian, Shenzhen, China



click™

BOOSTER PACK



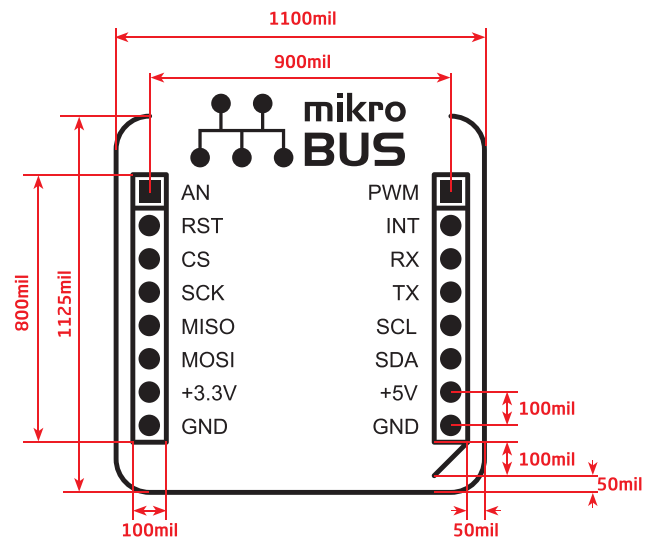
Click BOOSTER PACK is the add-on board for LaunchPad® from Texas Instruments®. It features mikroBUS™ host socket, allowing developers to use dozens of click™ add-on boards from mikroElektronika.

What are click™ boards?

Click™ boards are popular add-on boards in mikroBUS™ form factor. Each one carries a specific functionality, whether it is a communication layer, sensor, analog input, storage module, etc. Click™ boards are compact in size and are easily integrated into target devices, making them a great choice for fast prototyping. Each comes with user manual and a set of examples.

What is mikroBUS™?

mikroBUS™ host connector consists of two 1x8 female headers containing pins to be most likely used in the target add-on board. There are three groups of communication pins: SPI, UART and I2C. There are also single pins for PWM, Interrupt, Analog input, Reset and Chip Select. Pinout contains two power groups: +5V and GND on one header and +3.3V and GND on the other 1x8 header. mikroBUS™ host connector perfectly fits into standard breadboards.

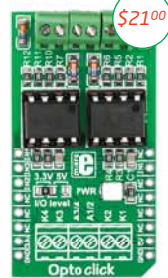


- | | | | |
|--------------|-------------------------|------------|-------------------------------|
| AN | - Analog pin | PWM | - PWM output line |
| RST | - Reset pin | INT | - Hardware Interrupt line |
| CS | - SPI Chip Select line | RX | - UART Receive line |
| SCK | - SPI Clock line | TX | - UART Transmit line |
| MISO | - SPI Slave Output line | SCL | - I ² C Clock line |
| MOSI | - SPI Slave Input line | SDA | - I ² C Data line |
| +3.3V | - VCC-3.3V Power line | +5V | - VCC-5V Power line |
| GND | - Reference Ground | GND | - Reference Ground |

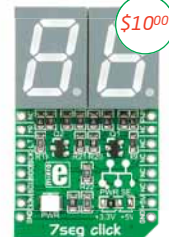
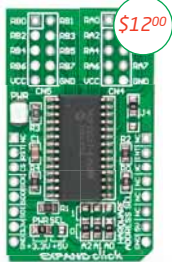
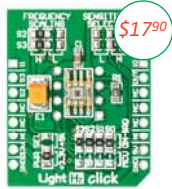


click™

BOOSTER PACK



one SOCKET for ALL click boards



Just place the **Click™** board you need into the innovative new **mikroBUS™** socket and it's ready to work right away. Adding **new functionality** to your **LaunchPad®** was never so easy.

