



Chipsmall Limited consists of a professional team with an average of over 10 year of expertise in the distribution of electronic components. Based in Hongkong, we have already established firm and mutual-benefit business relationships with customers from,Europe,America and south Asia,supplying obsolete and hard-to-find components to meet their specific needs.

With the principle of “Quality Parts,Customers Priority,Honest Operation,and Considerate Service”,our business mainly focus on the distribution of electronic components. Line cards we deal with include Microchip,ALPS,ROHM,Xilinx,Pulse,ON,Everlight and Freescale. Main products comprise IC,Modules,Potentiometer,IC Socket,Relay,Connector.Our parts cover such applications as commercial,industrial, and automotives areas.

We are looking forward to setting up business relationship with you and hope to provide you with the best service and solution. Let us make a better world for our industry!



Contact us

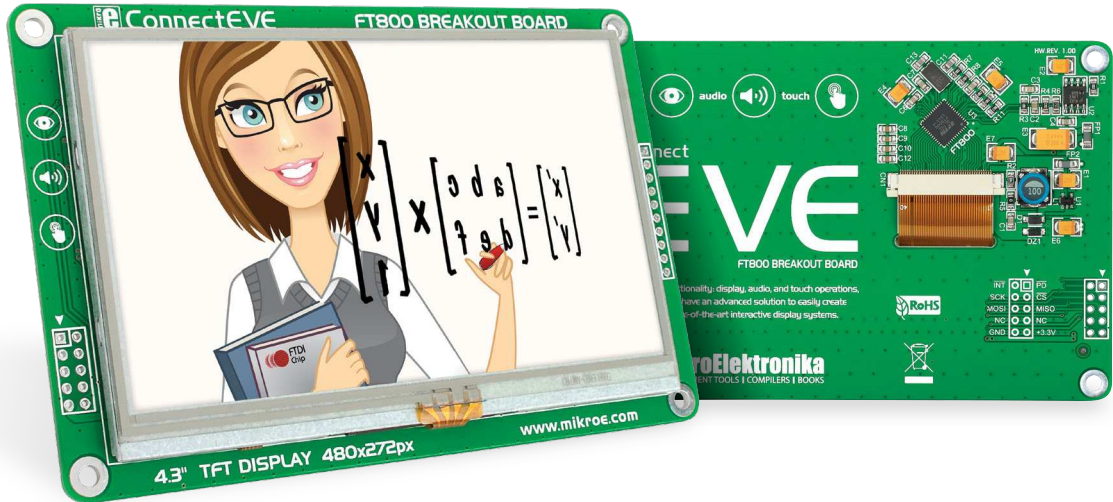
Tel: +86-755-8981 8866 Fax: +86-755-8427 6832

Email & Skype: info@chipsmall.com Web: www.chipsmall.com

Address: A1208, Overseas Decoration Building, #122 Zhenhua RD., Futian, Shenzhen, China



ConnectEVE



Introduction to ConnectEVE

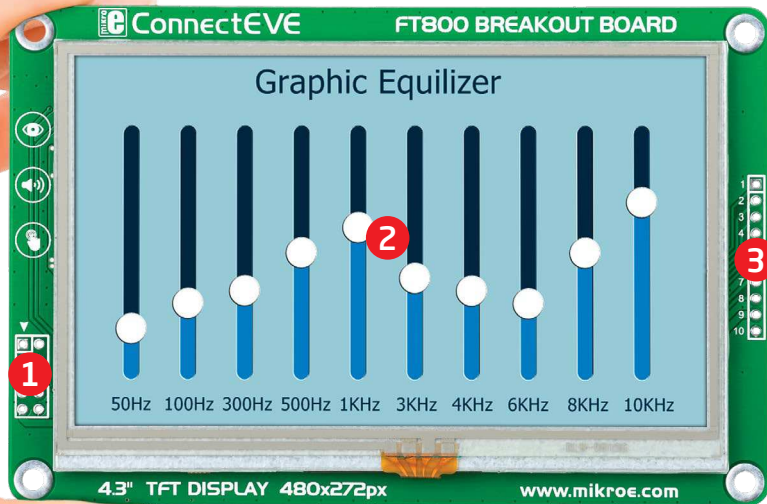


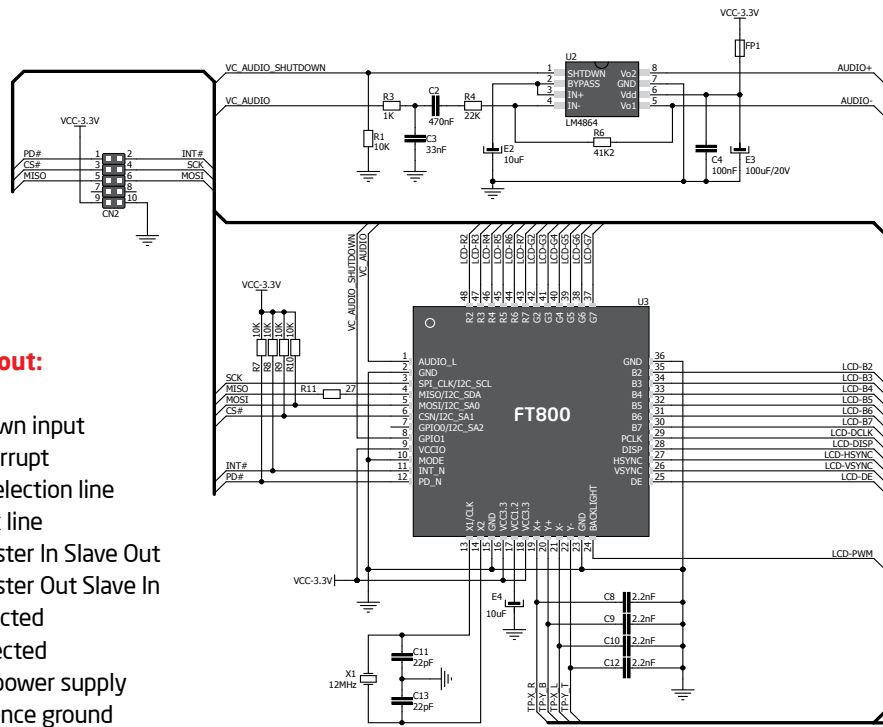
Figure 1: ConnectEVE board

The ConnectEVE board contains a **FT800Q** graphic controller and a 4.3" TFT color display **AT043B35** with 480x272 pixel resolution. The display is driven by a **HX8257A** display controller capable of showing advanced graphical content. Each pixel can display 262K different colors. TFT display is covered with a resistive touch panel which can be used as input device. The board is primarily designed to be used as an additional display on MikroElektronika Easy development boards. For further connectivity there are two headers (2X5 and 1X10). After testing and building the final program, this board can also be used in your final device. The board also contains mounting holes for easier integration into your designs.

1

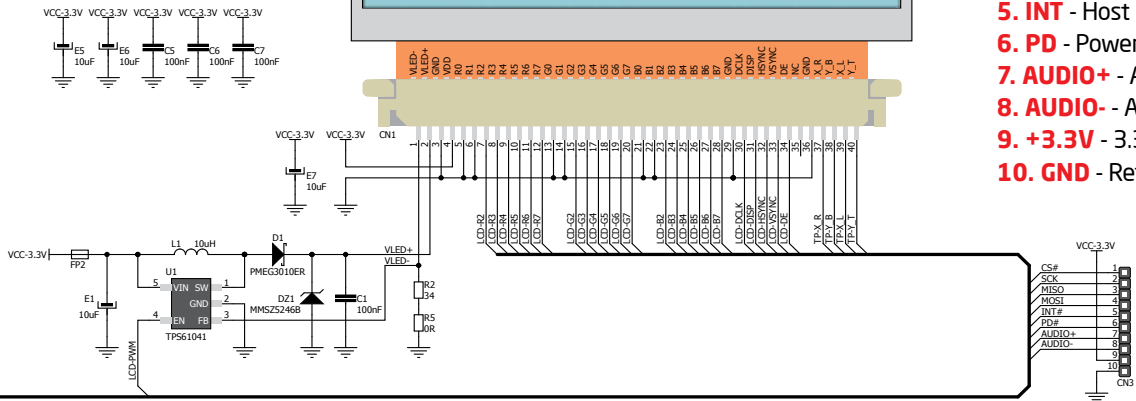
2x5 header pinout:

- 1. **PD** - Power down input
- 2. **INT** - Host interrupt
- 3. **CS** - SPI chip selection line
- 4. **SCK** - SPI clock line
- 5. **MISO** - SPI Master In Slave Out
- 6. **MOSI** - SPI Master Out Slave In
- 7. **NC** - Not connected
- 8. **NC** - Not connected
- 9. **+3.3V** - 3.3V power supply
- 10. **GND** - Reference ground



2

480x272 pixel 4.3" color **TFT display** with LED back-light, **HX8257A** controller and resistive touch panel.



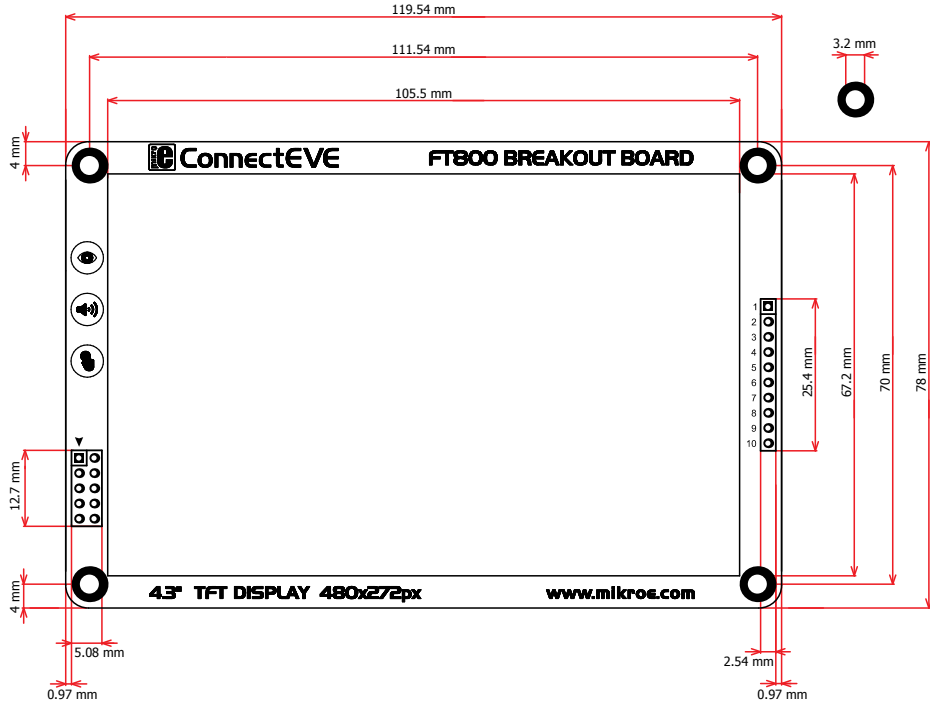
3

1x10 header pinout:

- 1. **CS** - SPI chip selection line
- 2. **SCK** - SPI clock line
- 3. **MISO** - SPI Master In Slave Out
- 4. **MOSI** - SPI Master Out Slave In
- 5. **INT** - Host interrupt
- 6. **PD** - Power down input
- 7. **AUDIO+** - Audio out +
- 8. **AUDIO-** - Audio out -
- 9. **+3.3V** - 3.3V power supply
- 10. **GND** - Reference ground

Figure 2: ConnectEVE schematic

Board dimensions





If you want to learn more about our products, please visit our website at www.mikroe.com

If you are experiencing some problems with any of our products or just need additional information, please place your ticket at www.mikroe.com/support

If you have any questions, comments or business proposals,
do not hesitate to contact us at office@mikroe.com

ConnectEVE Manual
ver. 1.00a

