



Chipsmall Limited consists of a professional team with an average of over 10 year of expertise in the distribution of electronic components. Based in Hongkong, we have already established firm and mutual-benefit business relationships with customers from,Europe,America and south Asia,supplying obsolete and hard-to-find components to meet their specific needs.

With the principle of “Quality Parts,Customers Priority,Honest Operation,and Considerate Service”,our business mainly focus on the distribution of electronic components. Line cards we deal with include Microchip,ALPS,ROHM,Xilinx,Pulse,ON,Everlight and Freescale. Main products comprise IC,Modules,Potentiometer,IC Socket,Relay,Connector.Our parts cover such applications as commercial,industrial, and automotives areas.

We are looking forward to setting up business relationship with you and hope to provide you with the best service and solution. Let us make a better world for our industry!



## Contact us

Tel: +86-755-8981 8866 Fax: +86-755-8427 6832

Email & Skype: info@chipsmall.com Web: www.chipsmall.com

Address: A1208, Overseas Decoration Building, #122 Zhenhua RD., Futian, Shenzhen, China



# Serial LCD Adapter™

## Manual

*All Mikroelektronika's development systems feature a large number of peripheral modules expanding microcontroller's range of application and making the process of program testing easier. In addition to these modules, it is also possible to use numerous additional modules linked to the development system through the I/O port connectors. Some of these additional modules can operate as stand-alone devices without being connected to the microcontroller.*

# Additional board

 **MikroElektronika**

SOFTWARE AND HARDWARE SOLUTIONS FOR EMBEDDED WORLD ...making it simple

---

## Serial LCD Adapter

The Serial LCD Adapter additional board is used to connect an LCD display to a development system.

### Key features:

- Serial SPI communication;
- Low power consumption; and
- 5V power supply voltage.



Figure 1: Serial LCD Adapter additional board

### How to connect the board?

The Serial LCD Adapter additional board can be easily connected to a development system via an IDC10 connector on the additional board and one of 2x5 connectors on the development system's ports. Connection with LCD display is established via a 1x16 connector CN2 provided on the additional board.

### How to use the board?

The microcontroller supplied on the development system sends data to LCD display via the Serial Peripheral Interface (SPI). The additional board first converts this data from serial into parallel format and then sends it to the LCD display. Potentiometer P1 is used to adjust LCD display contrast.

Here you can find examples for the Serial LCD Adapter board:  
<http://www.mikroe.com/eng/products/view/148/serial-lcd-adapter-board/>

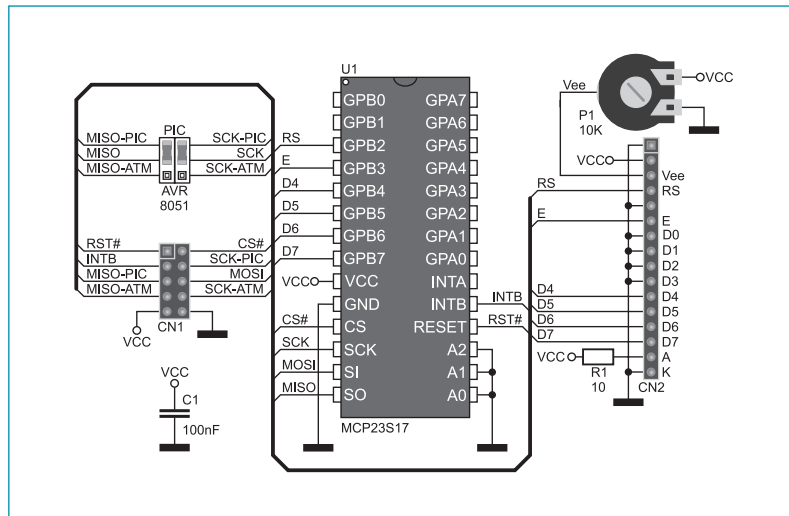


Figure 2: Serial LCD Adapter additional board

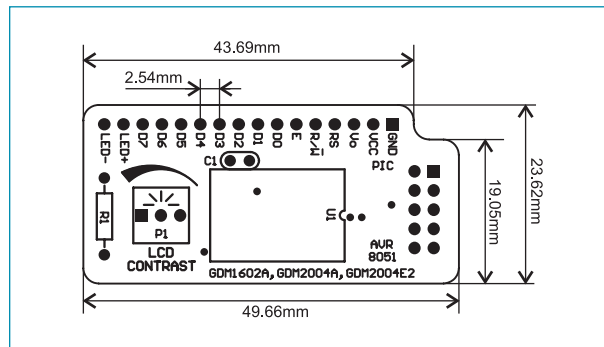


Figure 3: Dimensions of the Serial LCD Adapter board

If you want to learn more about our products, please visit our website at [www.mikroe.com](http://www.mikroe.com)

If you are experiencing some problems with any of our products or just need additional information, please place your ticket at [www.mikroe.com/en/support](http://www.mikroe.com/en/support)

If you have any questions, comments or business proposals, do not hesitate to contact us at [office@mikroe.com](mailto:office@mikroe.com)