



Chipsmall Limited consists of a professional team with an average of over 10 year of expertise in the distribution of electronic components. Based in Hongkong, we have already established firm and mutual-benefit business relationships with customers from,Europe,America and south Asia,supplying obsolete and hard-to-find components to meet their specific needs.

With the principle of “Quality Parts,Customers Priority,Honest Operation,and Considerate Service”,our business mainly focus on the distribution of electronic components. Line cards we deal with include Microchip,ALPS,ROHM,Xilinx,Pulse,ON,Everlight and Freescale. Main products comprise IC,Modules,Potentiometer,IC Socket,Relay,Connector.Our parts cover such applications as commercial,industrial, and automotives areas.

We are looking forward to setting up business relationship with you and hope to provide you with the best service and solution. Let us make a better world for our industry!



## Contact us

Tel: +86-755-8981 8866 Fax: +86-755-8427 6832

Email & Skype: info@chipsmall.com Web: www.chipsmall.com

Address: A1208, Overseas Decoration Building, #122 Zhenhua RD., Futian, Shenzhen, China



# Intel® Joule™ click SHIELD

PID: MIKROE-2546



**Intel® Joule™ click SHIELD** is an extension for Intel® Joule™ Expansion Board. This click shield allows you to add more than 270 click boards™ to your project. Add displays, WiFi, ZigBee or Bluetooth transceivers, Ethernet modules, sensors, MP3 codec circuit and other features to your prototype with ease.

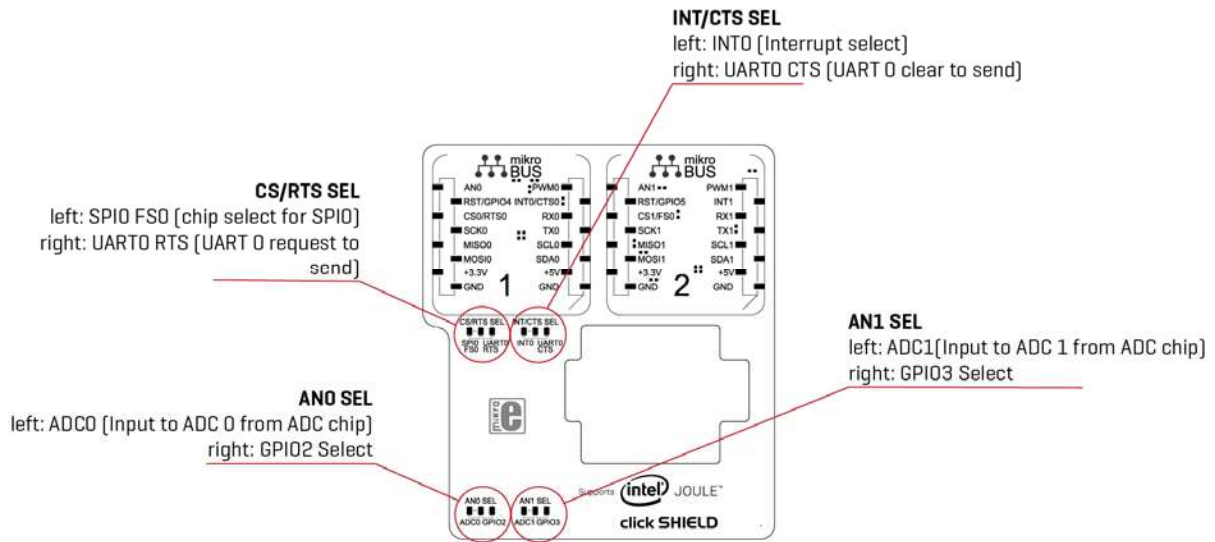
Click boards™ come with examples written in MikroElektronika compilers, so you will have a great base for your future projects.

The **Intel® Joule™ click SHIELD** board includes the MCP3204 ADC - 2.7V 4-Channel/8-Channel 12-Bit A/D Converters with SPI™ Serial Interface. The onboard ADC has a 2.048V reference.

The board also features 2x40 pin connectors.

**Note:** In case you don't want to use the 5V power supply on the Intel® Joule™ click SHIELD you should remove the jumper on the lower side of the board - marked as 5V EN.

## Jumpers and settings



## Intel® Joule™ Expansion Board

The expansion board is intended to breakout all I/O interfaces from the Intel® Joule™ module into easily accessible connectors.

## Intel® Joule™ module

This powerful system on module (SoM) was designed to help inventors and IoT developers contribute to a new generation of robots, drones, and IoT devices that are equipped with Intel® HD Graphics, 3D modeling, object recognition, and interactive capabilities.

## Key features

- Two mikroBUS™ sockets
- MCP3204 ADC
- 2x40 connector pins
- 3.3V and 5V power supply

## Specification

Product Type	Shield
Applications	Add click board™ connectivity to the Intel® Joule™ Expansion Board
On-board modules	Two mikroBUS™ sockets, MCP3204 ADC
Power Supply	3.3V and 5V
Compatibility	Intel® Joule™