



Chipsmall Limited consists of a professional team with an average of over 10 year of expertise in the distribution of electronic components. Based in Hongkong, we have already established firm and mutual-benefit business relationships with customers from,Europe,America and south Asia,supplying obsolete and hard-to-find components to meet their specific needs.

With the principle of “Quality Parts,Customers Priority,Honest Operation,and Considerate Service”,our business mainly focus on the distribution of electronic components. Line cards we deal with include Microchip,ALPS,ROHM,Xilinx,Pulse,ON,Everlight and Freescale. Main products comprise IC,Modules,Potentiometer,IC Socket,Relay,Connector.Our parts cover such applications as commercial,industrial, and automotives areas.

We are looking forward to setting up business relationship with you and hope to provide you with the best service and solution. Let us make a better world for our industry!



## Contact us

Tel: +86-755-8981 8866 Fax: +86-755-8427 6832

Email & Skype: info@chipsmall.com Web: www.chipsmall.com

Address: A1208, Overseas Decoration Building, #122 Zhenhua RD., Futian, Shenzhen, China





## MS5525DSO

(Digital Small Outline)

### SPECIFICATIONS

- **Integrated Digital Pressure Sensor (24-bit  $\Delta\Sigma$  ADC)**
- **Fast Conversion Down to 1 ms**
- **Low Power, 1  $\mu\text{A}$  (standby < 0.15  $\mu\text{A}$ )**
- **Supply Voltage: 1.8 to 3.6V**
- **Pressure Range: 1 to 30 PSI**
- **I<sup>2</sup>C and SPI Interface**

The MS5525DSO is a new generation of Digital Small Outline pressure sensors from MEAS with SPI and I<sup>2</sup>C bus interface designed for high volume OEM users. The sensor module includes a pressure sensor and an ultra low power 24-bit  $\Delta\Sigma$  ADC with internal factory calibrated coefficients. It provides a 24-bit digital pressure and temperature value and different operation modes that allow the user to optimize for conversion speed and current consumption. The MS5525DSO can be interfaced to virtually any microcontroller. The communication protocol is simple, without the need of programming internal registers in the device.

This new sensor module generation is based on leading MEMS technology and latest benefits from TE proven experience and know-how in high volume manufacturing of pressure modules, which have been widely used for over a decade.

The rugged engineered thermoplastic transducer is available in single and dual port configurations, and can measure absolute, gauge, compound, and differential pressure from 1 to 30psi.

## FEATURES

- Small Outline IC Package
- Barbed Pressure Ports
- Low Power, High Resolution ADC
- Digital Pressure and Temperature Outputs

## APPLICATIONS

- Factory Automation
- Altitude and Airspeed Measurements
- Medical Instruments
- Leak Detection

## STANDARD RANGES (PSI)

<b>FS Pressure</b>	<b>Absolute</b>	<b>Gauge</b>	<b>Differential</b>
1		DB, SB, ST, DH,FT	DB, SB,ST, DH
2		DB, SB, ST, DH,FT	DB, SB,ST, DH
5		DB, SB, ST, DH,FT	DB, SB,ST ,DH
15	DB, DH,FT	DB, SB, ST, DH,FT	DB, DH
30	DB, DH,FT	DB, SB, ST, DH,FT	DB, DH

See Package Configurations: DB= Dual Barb, DH= Dual Hole, SB=Single Barb, ST=Single Tube, FT=Front Side Tube

## ABSOLUTE MAXIMUM RATING

Parameter	Conditions	Min	Max	Unit	Symbol/Notes
Supply Voltage	T <sub>A</sub> = 25°C	-0.3	3.6	V	V <sub>DD</sub>
Storage Temperature		-40	125	°C	
Overpressure	T <sub>A</sub> = 25 °C, both Ports		60	psi	
Burst Pressure	T <sub>A</sub> = 25 °C, Port 1			psi	See Table 1
ESD	HBM	-4	+4	kV	EN 61000-4-2
Solder Temperature	250°C, 5 sec max.				

**Table 1- BURST PRESSURE BY RANGE AND PORT DESIGNATION.**

Range	Port 1	Port 2	Unit
001	10	10	psi
002	20	20	psi
005	50	15	psi
015	120	60	psi
030	120	120	psi

## ENVIRONMENTAL SPECIFICATIONS

Parameter	Conditions
Mechanical Shock	Mil Spec 202F, Method 213B, Condition C, 3 Drops
Mechanical Vibration	Mil Spec 202F, Method 214A, Condition 1E, 1Hr Each Axis
Thermal Shock	100 Cycles over Storage Temperature, 30 minute dwell
Life	1 Million FS Cycles
MTTF	>10Yrs, 70 °C, 1 Million Pressure Cycles, 120%FS Pressure

## PERFORMANCE SPECIFICATIONS

**Supply Voltage<sup>1</sup> 3.0 Vdc**

**Reference Temperature: 25°C (unless otherwise specified)**

PARAMETERS	MIN	TYP	MAX	UNITS	NOTES
Operating Voltage	1.8		3.6		
ADC			24	bits	
Pressure Accuracy		See Table 2 Below		%FS	2,5
Total Error Band (TEB)	-2.5		2.5	%FS	3
Temperature Accuracy (Reference Temperature)		±1.5		°C	4,5
Temperature Accuracy		±2.5		°C	4,5
Supply Current		See OSR Table Below		mA	
Compensated Temperature	0		85	°C	
Operating Temperature	-40		+125	°C	
Conversion Time		See OSR Table Below		mS	
Weight		3		grams	
Media	Non-Corrosive Dry Gases Compatible with Silicon, Glass, LCP, RTV, Gold, Thermo-Epoxy, Silicone Gel, Aluminum and Epoxy. See "Wetted Material by Port Designation" chart.				

### Notes

1. Proper operation requires an external capacitor placed as shown in Application Circuit. Output is not ratiometric to supply voltage.
2. The maximum deviation from a best fit straight line (BFSL) fitted to the output measured over the pressure range at 25°C. Includes all errors due to pressure non linearity, hysteresis, and non repeatability.
3. The maximum deviation from ideal output with respect to input pressure and temperature over the compensated temperature range. Total error band (TEB) includes all accuracy errors, thermal errors over the compensated temperature range, span and offset calibration tolerances. TEB values are valid only at the calibrated supply voltage.
4. The deviation from a best fit straight line (BFSL) from 25°C. to 85°C.
5. Six coefficients must be read by microcontroller software and are used in a mathematical calculation for converting D1 and D2 into compensated pressure and temperature values.

**Table 2- TYPICAL ACCURACY SPECIFICATION BY PRESSURE RANGE**

Range	Port 1	Port 2	Unit
001	±0.25	±1.0	%FSS
002	±0.25	±0.5	%FSS
005	±0.50	±1.0	%FSS
015	±0.25	±0.25	%FSS
030	±0.25	±0.25	%FSS

## OVERSAMPLING RATIO (OSR) PERFORMANCE CHARACTERISTICS

### SUPPLY CURRENT CHARACTERISTICS

Parameter	Symbol	Conditions	Min.	Typ.	Max	Unit
Supply current (1 sample per sec.)	I <sub>DD</sub>	OSR 4096		12.5		μA
		2048		6.3		
		1024		3.2		
		512		1.7		
		256		0.9		
Peak supply current		during conversion		1.4		mA
Standby supply current		at 25°C		0.02	0.14	μA

### ANALOG DIGITAL CONVERTER (ADC)

Parameter	Symbol	Conditions	Min.	Typ.	Max	Unit
Conversion time	t <sub>c</sub>	OSR 4096	7.40	8.22	9.04	ms
		2048	3.72	4.13	4.54	
		1024	1.88	2.08	2.28	
		512	0.95	1.06	1.17	
		256	0.48	0.54	0.60	

## INPUT/OUTPUT SPECIFICATIONS

### DIGITAL INPUTS (CSB, I<sup>2</sup>C, DIN, SCLK)

Parameter	Symbol	Conditions	Min.	Typ.	Max	Unit
Serial data clock	SCLK	SPI protocol			20	MHz
Serial data clock	SCL	I2C protocol			400	kHz
Input high voltage	V <sub>IH</sub>	Pins CSB	80% V <sub>DD</sub>		100% V <sub>DD</sub>	V
Input low voltage	V <sub>IL</sub>		0% V <sub>DD</sub>		20% V <sub>DD</sub>	V
Input leakage current	I <sub>leak25°C</sub> I <sub>leak85°C</sub>	at 25°C			0.15	μA
Input capacitance	C <sub>IN</sub>				6	pF

### PRESSURE OUTPUTS (I<sup>2</sup>C, DOUT)

Parameter	Symbol	Conditions	Min.	Typ.	Max	Unit
Output high voltage	V <sub>OH</sub>	I <sub>source</sub> = 0.6 mA	80% V <sub>DD</sub>		100% V <sub>DD</sub>	V
Output low voltage	V <sub>OL</sub>	I <sub>sink</sub> = 0.6 mA	0% V <sub>DD</sub>		20% V <sub>DD</sub>	V
Load capacitance	C <sub>LOAD</sub>				16	pF

## FUNCTIONAL DESCRIPTION

### BLOCK DIAGRAM

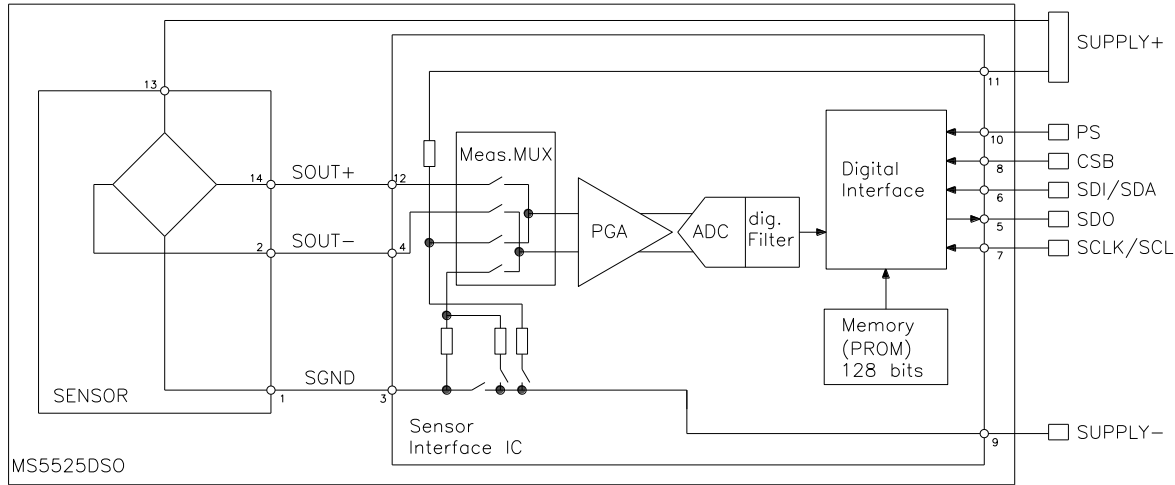


Figure 1: Block diagram of MS5525DSO

### GENERAL

The MS5525DSO consists of a piezo-resistive sensor and a sensor interface IC. The main function of the MS5525DSO is to convert the uncompensated analog output voltage from the piezo-resistive pressure sensor to a 24-bit digital value, as well as providing a 24-bit digital value for the temperature of the sensor.

### FACTORY CALIBRATION

Every module is individually factory calibrated at two temperatures and three pressures. As a result, six coefficients necessary to compensate for process variations and temperature variations are calculated and stored in the 128-bit PROM of each module. These bits, partitioned into six coefficients, C1 through C6, must be read by the microcontroller software and used in the program converting D1 and D2 into compensated pressure and temperature values.

The coefficients C0 and C7 are for factory calibration and CRC.

### SERIAL INTERFACE

The MS5525DSO has built in two types of serial interfaces: SPI and I<sup>2</sup>C. Pulling the Protocol Select pin PS to low selects the SPI protocol, pulling PS to high activates the I<sup>2</sup>C bus protocol.

Pin PS	Mode	Pins used
High	I <sup>2</sup> C	SDA, SCL CSB
Low	SPI	SDI, SDO, SCLK, CSB

### SPI MODE

The external microcontroller clocks in the data through the input SCLK (Serial CLock) and SDI (Serial Data In). In the SPI mode module can accept both mode 0 and mode 3 for the clock polarity and phase. The sensor responds on the output SDO (Serial Data Out). The pin CSB (Chip Select) is used to enable/disable the interface, so that other devices can talk on the same SPI bus. The CSB pin can be pulled high after the command is sent or after the end of the command execution (for example end of conversion). The best noise performance from the module is obtained when the SPI bus is idle and without communication to other devices during the ADC conversion.

### I<sup>2</sup>C MODE & ADDRESSING

The external microcontroller clocks in the data through the input SCL (Serial CLock) and SDA (Serial DAta). The sensor responds on the same pin SDA which is bidirectional for the I<sup>2</sup>C bus interface. So this interface type uses only 2 signal lines and does not require a chip select, which can be favorable to reduce board space. In I<sup>2</sup>C -Mode the complement of the pin CSB (Chip Select) represents the LSB of the I<sup>2</sup>C address. It is possible to use two sensors with two different addresses on the I<sup>2</sup>C bus. The pin CSB must be connected to VDD or GND do not leave these pins unconnected.

Pin CSB	Address (7 bits)
High	0x76
Low	0x77

### COMMANDS

The MS5525DSO has only five basic commands:

1. Reset
2. Read PROM (128 bit of calibration words)
3. D1 conversion
4. D2 conversion
5. Read ADC result (24 bit pressure / temperature)

Size of each command is 1 byte (8 bits) as described in the table below. After ADC read commands the device will return 24 bit result and after the PROM read 16bit result. The address of the PROM is embedded inside of the PROM read command using the Ad2, Ad1 and Ad0 bits.

Bit number	Command byte								hex value
	0	1	2	3	4	5	6	7	
Bit name	PRM	COV	-	Typ	Ad2/ Os2	Ad1/ Os1	Ad0/ Os0	Stop	
Command									
Reset	0	0	0	1	1	1	1	0	0x1E
Convert D1 (OSR=256)	0	1	0	0	0	0	0	0	0x40
Convert D1 (OSR=512)	0	1	0	0	0	0	1	0	0x42
Convert D1 (OSR=1024)	0	1	0	0	0	1	0	0	0x44
Convert D1 (OSR=2048)	0	1	0	0	0	1	1	0	0x46
Convert D1 (OSR=4096)	0	1	0	0	1	0	0	0	0x48
Convert D2 (OSR=256)	0	1	0	1	0	0	0	0	0x50
Convert D2 (OSR=512)	0	1	0	1	0	0	1	0	0x52
Convert D2 (OSR=1024)	0	1	0	1	0	1	0	0	0x54
Convert D2 (OSR=2048)	0	1	0	1	0	1	1	0	0x56
Convert D2 (OSR=4096)	0	1	0	1	1	0	0	0	0x58
ADC Read	0	0	0	0	0	0	0	0	0x00
PROM Read	1	0	1	0	Ad2	Ad1	Ad0	0	0xA0 to 0xAE

Figure 4: Command structure



**Start**  
5525DSO-pp005GS Example  
Tmin=-40°C , Tmax=125°C

Variable	Coefficient Description	Recommended Variable Type	Size <sup>[1]</sup>	Value		Example/ Typical
			[Bit]	Min	Max	
C1	Pressure Sensitivity, SENS <sub>T1</sub>	unsigned int 16	16	0	65535	36402
C2	Pressure Offset, OFF <sub>T1</sub>	unsigned int 16	16	0	65535	39473
C3	Temperature Coefficient, Pressure Sensitivity, TCS	unsigned int 16	16	0	65535	40393
C4	Temperature Coefficient, Pressure Offset, TCO	unsigned int 16	16	0	65535	29523
C5	Reference Temperature, T <sub>REF</sub>	unsigned int 16	16	0	65535	29854
C6	Temperature Coefficient Temperature, TEMPSENS	unsigned int 16	16	0	65535	21917

**Read Calibration Data from PROM**

**Read Digital Pressure and Temperature Data**

D1	Digital Pressure Value	unsigned int 32	24	0	16777216	5240585
D2	Digital Temperature Value	unsigned int 32	24	0	16777216	3869265

**Calculate Temperature**

dT	Difference between actual and reference temperature $dT = D2 - T_{REF} = D2 - C5 * 2^{Q5}$	signed int 32	25	-16776960	16777216	47953
TEMP	Measured temperature $TEMP = 20^{\circ}C + dT * TEMPSENS = 2000 + dT * C6 / 2^{Q6}$	signed int 32	41	-4000	12500	2501 =25.01 °C

**Calculate Temperature Compensated Pressure**

OFF	Offset at actual temperature $OFF = OFF_{T1} + TCO * dT = C2 * 2^{Q2} + (C4 * dT) / 2^{Q4}$	signed int 64	41			5218046194
SENS	Sensitivity at actual temperature $SENS = SENS_{T1} + TCS * dT = C1 * 2^{Q1} + (C3 * dT) / 2^{Q3}$	signed int 64	41			2415906558
P	Temperature Compensated Pressure $P = D1 * SENS - OFF = (D1 * SENS / 2^{21} - OFF) / 2^{15}$	signed int 32	61			24996 =2.4996psi

**Display Pressure and Temperature Value**

Figure 1: Flow chart for pressure and temperature reading and software compensation.

**Qx Coefficients Matrix by Pressure Range**

Part Number	Pmin	Pmax	Q1	Q2	Q3	Q4	Q5	Q6	T <sub>RES</sub> (°C)	P <sub>RES</sub> (PSI)
5525DSO-pp001GS	0	1	14	16	7	5	7	21	0.01	0.0001
5525DSO-pp001DS	-1	1	15	17	7	5	7	21	0.01	0.0001
5525DSO-pp002GS	0	2	14	15	8	6	7	22	0.01	0.0001
5525DSO-pp002DS	-2	2	16	18	6	4	7	22	0.01	0.0001
5525DSO-pp005GS	0	5	16	17	6	5	7	21	0.01	0.0001
5525DSO-pp005DS	-5	5	17	19	5	3	7	22	0.01	0.0001
5525DSO-pp0015AS	0	15	16	17	6	5	7	22	0.01	0.0001
5525DSO-pp0015GS	0	15	16	17	6	5	7	22	0.01	0.0001
5525DSO-pp0015DS	-15	15	17	19	5	3	7	22	0.01	0.0001
5525DSO-pp0030AS	0	30	17	18	5	4	7	22	0.01	0.0001
5525DSO-pp0030GS	0	30	17	18	5	4	7	22	0.01	0.0001
5525DSO-pp0030DS	-30	30	18	20	4	1	7	22	0.01	0.0001

**MEMORY MAPPING**

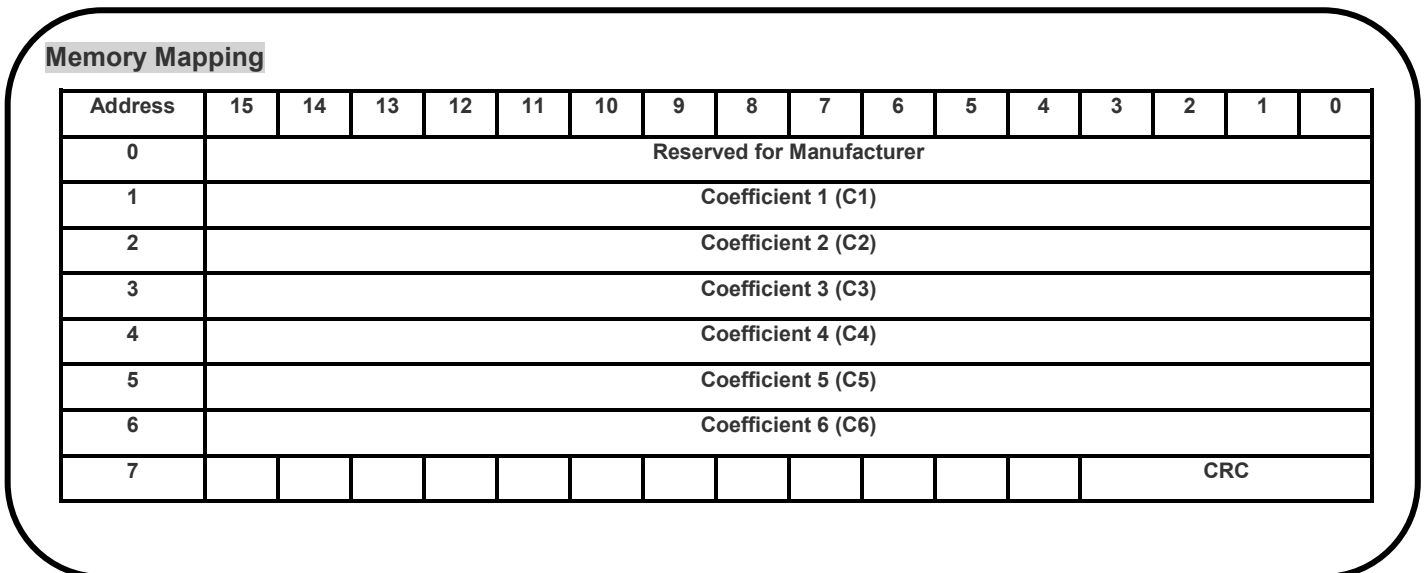


Figure 2: Memory PROM Mapping

Notes

[1] Maximal size of intermediate result during evaluation of variable.

## SPI INTERFACE

### RESET SEQUENCE

The Reset sequence shall be sent once after power-on to make sure that the calibration PROM gets loaded into the internal register. It can be also used to reset the device ROM from an unknown condition

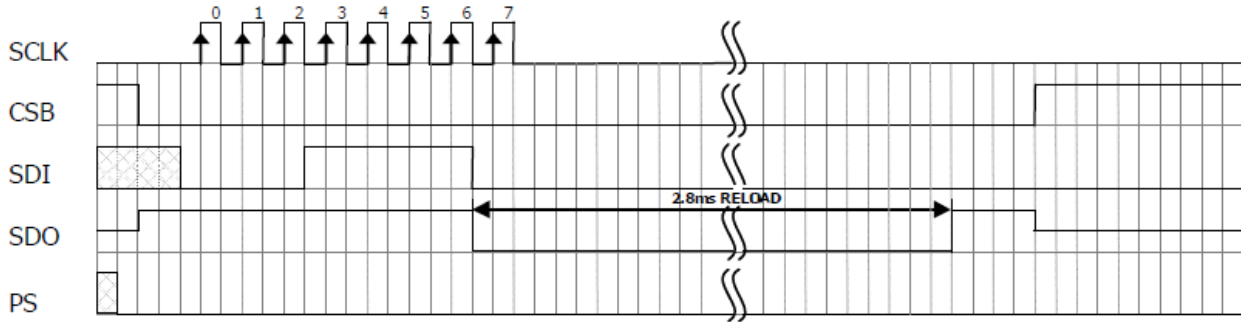


Figure 5: Reset command sequence SPI mode 0

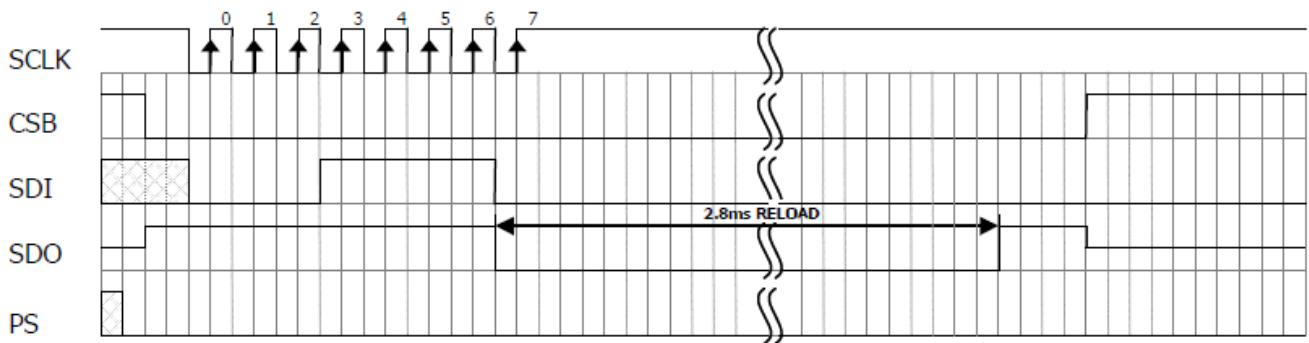


Figure 6: Reset command sequence SPI mode 3

**CONVERSION SEQUENCE**

The conversion command is used to initiate uncompensated pressure (D1) or uncompensated temperature (D2) conversion. The chip select can be disabled during this time to communicate with other devices. After the conversion, using ADC read command the result is clocked out with the MSB first. If the conversion is not executed before the ADC read command, or the ADC read command is repeated, it will give 0 as the output result. If the ADC read command is sent during conversion the result will be 0, the conversion will not stop and the final result will be wrong. Conversion sequence sent during the already started conversion process will yield incorrect result as well.

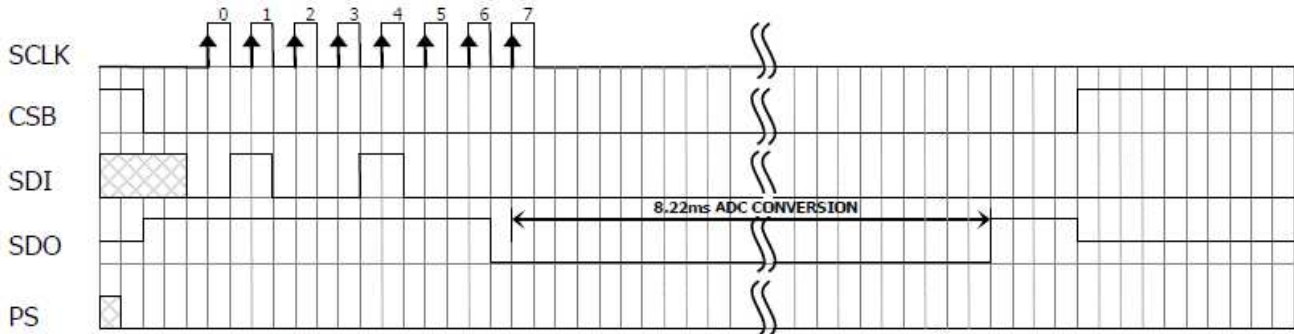


Figure 7: Conversion out sequence, Typ=d1, OSR = 4096

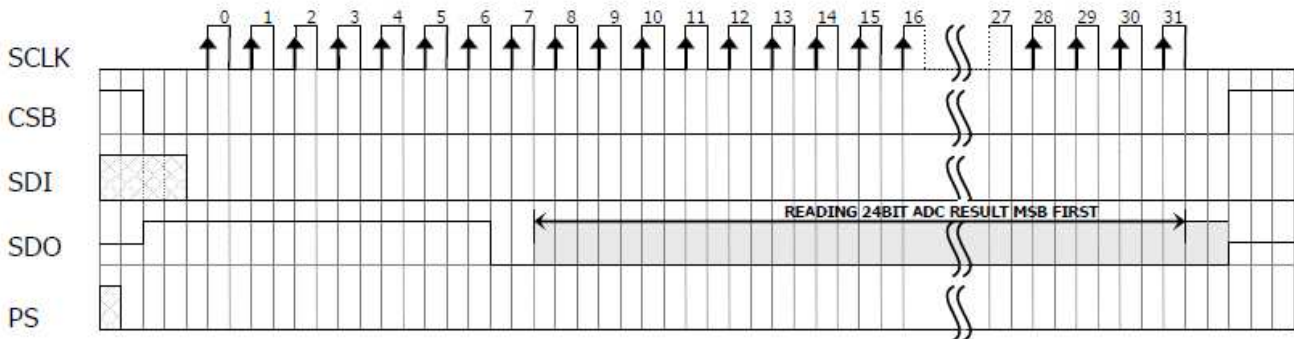


Figure 8: ADC Read sequence

**PROM READ SEQUENCE**

The read command for PROM shall be executed once after reset by the user to read the content of the calibration PROM and to calculate the calibration coefficients. There are in total 8 addresses resulting in a total memory of 128 bit. Address 0 contains factory data and the setup, addresses 1-6 calibration coefficients and address 7 contains the serial code and CRC. The command sequence is 8 bits long with a 16 bit result which is clocked with the MSB first.

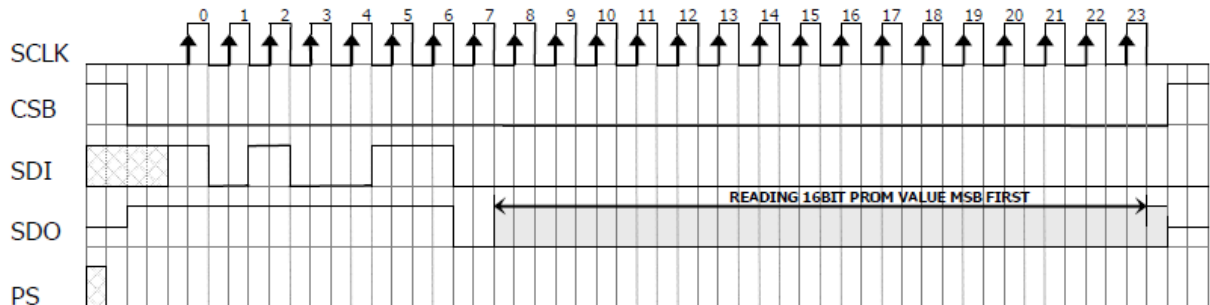


Figure 9: PROM Read sequence, address = 011 (Coefficient 3).

## I<sup>2</sup>C INTERFACE

### COMMANDS

Each I<sup>2</sup>C communication message starts with the start condition and it is ended with the stop condition. The MS5525DSO address is 111011Cx, where C is the complementary value of the pin CSB. Since the IC does not have a microcontroller inside, the commands for I<sup>2</sup>C and SPI are quite similar.

### RESET SEQUENCE

The reset can be sent at any time. In the event that there is not a successful power on reset this may be caused by the SDA being blocked by the module in the acknowledge state. The only way to get the MS5525DSO to function is to send several SCLKs followed by a reset sequence or to repeat power on reset.

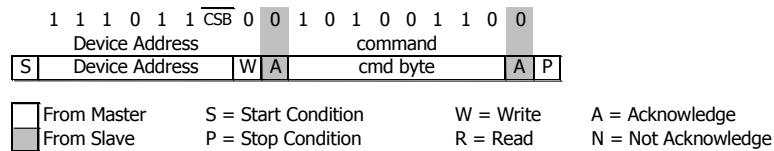


Figure 10: I2C Reset Command

### PROM READ SEQUENCE

The PROM Read command consists of two parts. First command sets up the system into PROM read mode. The second part gets the data from the system.

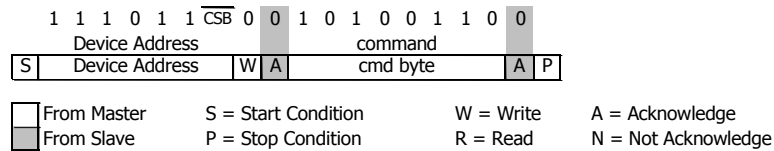


Figure 11: I2C Command to read memory address= 011 (Coefficient 3)

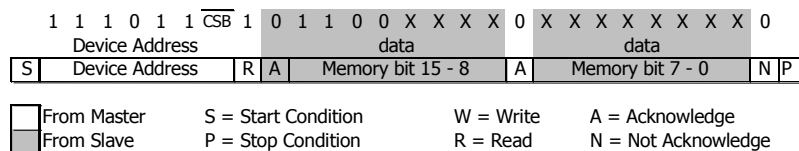


Figure 12: I2C response from MS5525DSO

**CONVERSION SEQUENCE**

A conversion can be started by sending the command to MS5525DSO. When command is sent to the system it stays busy until conversion is done. When conversion is finished the data can be accessed by sending a Read command, when an acknowledge appears from the MS5525DSO, 24 SCLK cycles may be sent to receive all result bits. Every 8-bit the system waits for an acknowledge signal.

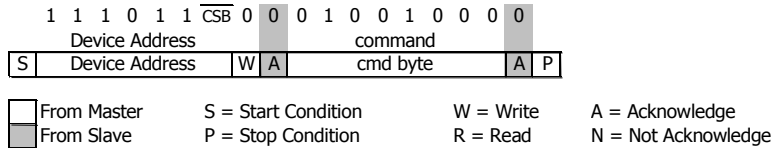


Figure 13: I<sup>2</sup>C Command to initiate a pressure conversion (OSR=4096, typ=D1)

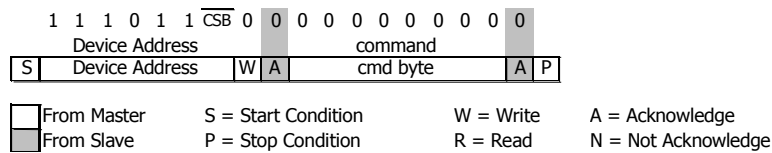


Figure 14: I<sup>2</sup>C ADC read sequence

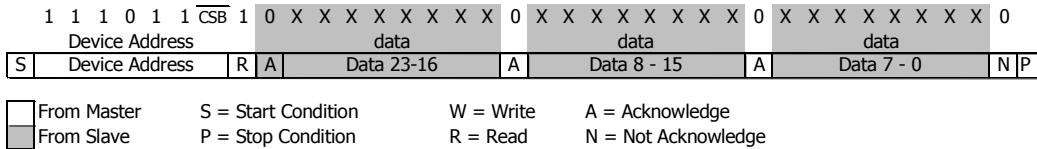
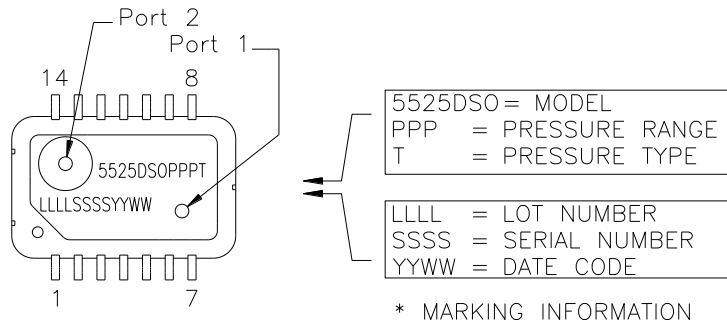


Figure 15: I<sup>2</sup>C response from MS5525DSO

**CYCLIC REDUNDANCY CHECK (CRC)**

MS5525DSO contains a PROM memory with 128-Bit. A 4-bit CRC has been implemented to check the data validity in memory. The application note AN520 describes in detail CRC-4 code used.

## PINOUT, MARKING, AND PRESSURE TYPE CONFIGURATION



Pressure Type	Pmin	Pmax	Description
Absolute	0psiA	+Prange	Output is proportional to the difference between 0psiA (Pmin) and pressure applied to Port 1.
Differential/ Bidirectional	-Prange	+Prange	Output is proportional to the difference between Port 1 and Port 2. Output swings positive when Port 2 > Port 1. Output is 50% of total counts when Port 1 = Port 2.
Gauge	0psiG	+Prange	Output is proportional to the difference between 0psiG (Pmin) and Port 1. Output swings positive when Port 2 > Port 1.

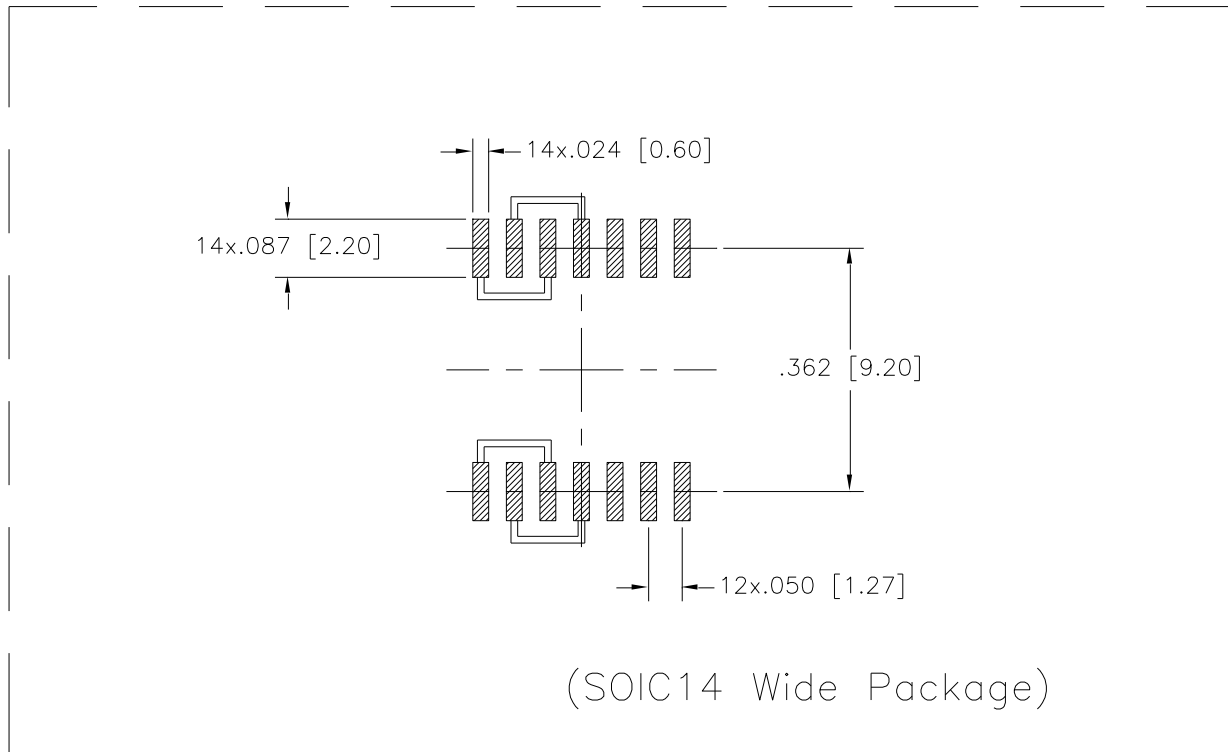
Pin Name	Pin	Function	SPI
SGND	1,3	Sensor Ground	
SOUT-	2,4	Sensor Outputs, Negative	
SDO	5		Serial Data Output
SDA/SDI	6	I <sup>2</sup> C Data Input and Output	SPI Serial Data Input
SCL/SCLK	7	I <sup>2</sup> C Clock	SPI Clock
CSB	8	Defines I <sup>2</sup> C Address	Chip Select (Active Low)
GND	9	Ground	
PS	10	Protocol Select PS = (VDD) I <sup>2</sup> C Protocol Selected PS = (GND) SPI Protocol Selected CSB= (VDD) I <sup>2</sup> C Address = 1110110X (0xEC, 0xED) CSB= (GND) I <sup>2</sup> C Address = 1110111X (0xEE, 0xEF)	
Supply+	11,13	Positive Supply Voltage	
SOUT+	12,14	Sensor Outputs, Positive	

## WETTED MATERIAL BY PORT DESIGNATION

Style	Port	Material						
		LCP	Thermo-Epoxy Resin	Epoxy	RTV	Glass	Silicon	Silicone Gel
All	Port 1	X	X	X				X
	Port 2	X	X	X	X	X	X	

"X" Indicates Wetted Materials

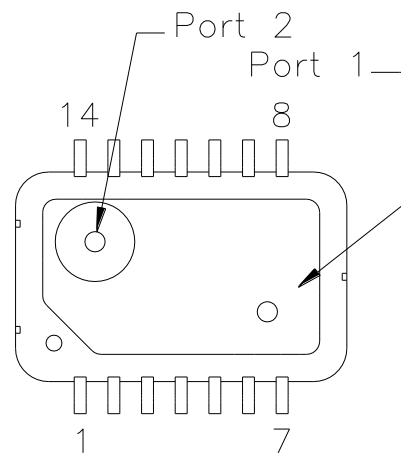
**RECOMMEND PCB LAYOUT**



PAD NO.	FUNCTION	PAD NO.	FUNCTION
1	SGND	8	CSB
2	SOUT-	9	SUPPLY-
3	SGND	10	PS
4	SOUT-	11	SUPPLY+
5	SDO	12	SOUT+
6	SDI/SDA	13	SUPPLY+
7	SCLK/SCL	14	SOUT+

FUNCTION PINS THAT SHARE THE SAME NAME (SGND, SOUT+, SOUT-, SUPPLY+) MUST BE CONNECTED TOGETHER ON PCB FOR PROPER OPERATION.

NEED TO PLACE 0.1uF DECOUPLING CAPACITOR BETWEEN SUPPLY+ AND SUPPLY- ON PCB AND AS CLOSE AS POSSIBLE TO SENSOR





## APPLICATION CIRCUIT

The MS5525DSO is a circuit that can be used in conjunction with a microcontroller. It is designed for low-voltage systems with a supply voltage of 3 V.

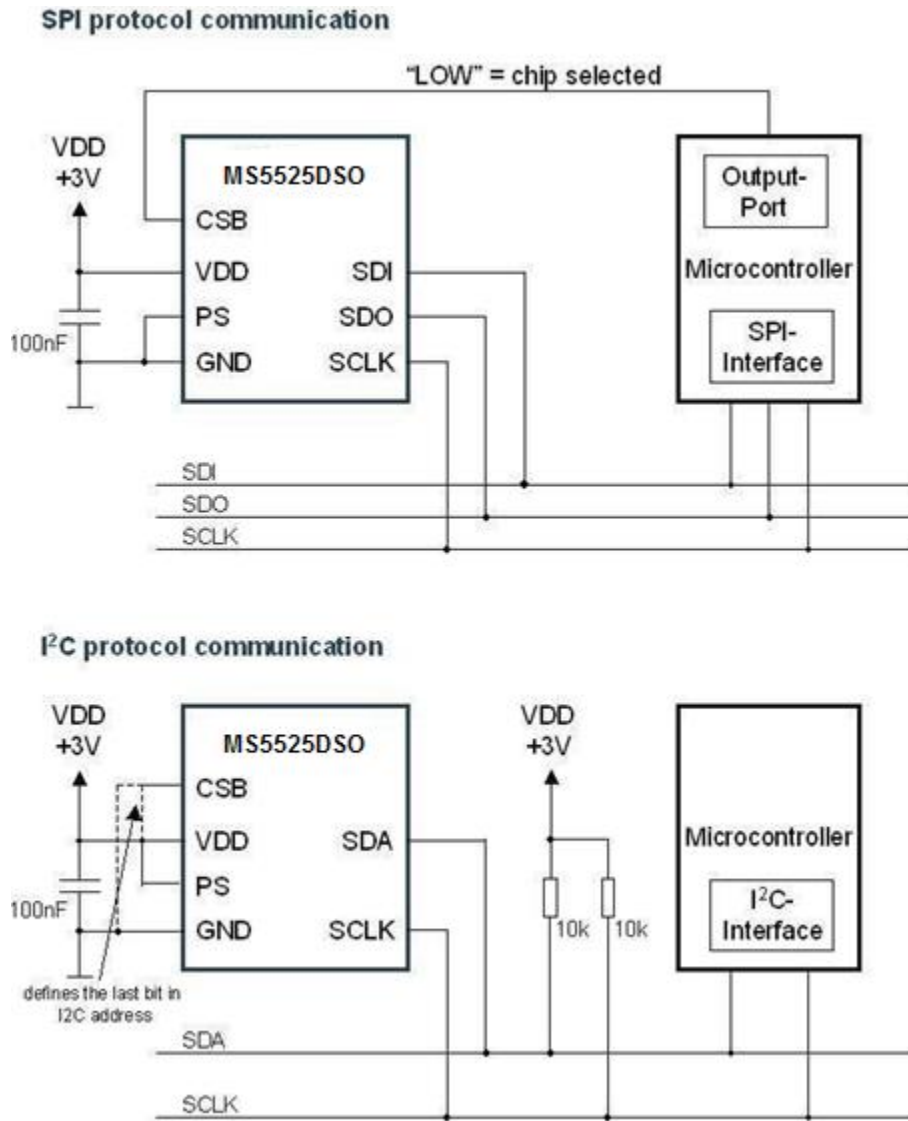


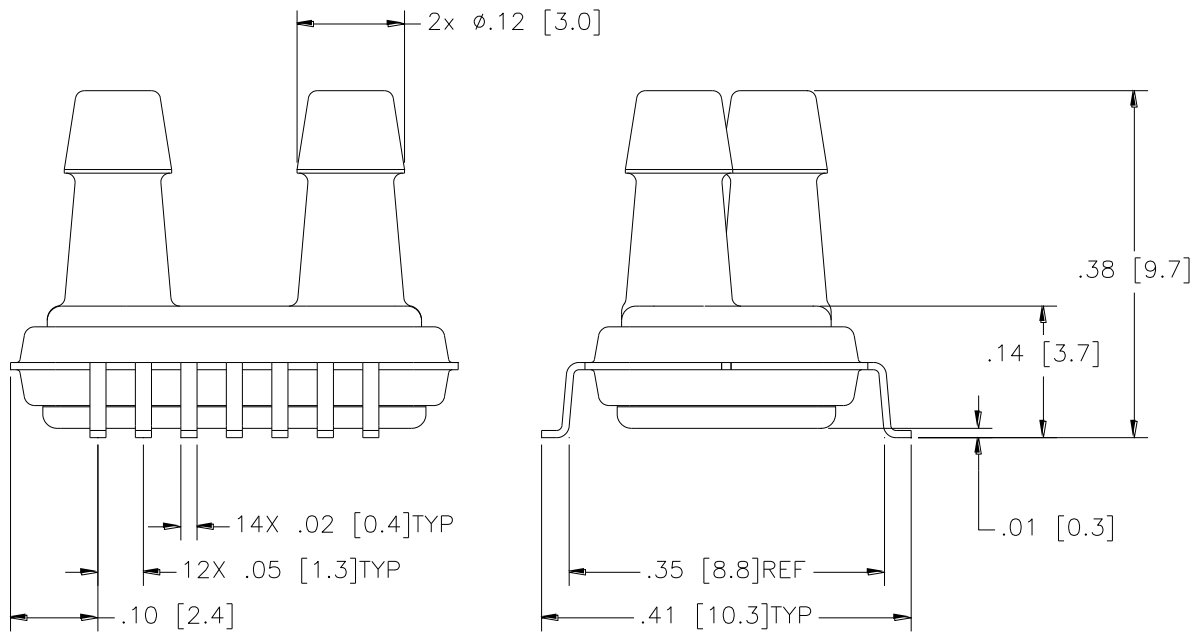
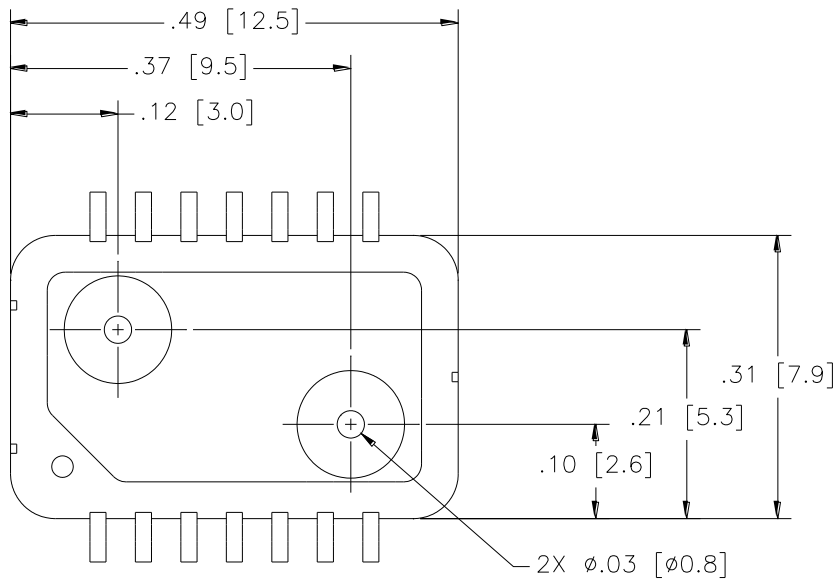
Figure 17: Typical application circuit with SPI / I<sup>2</sup>C protocol communication

### Note

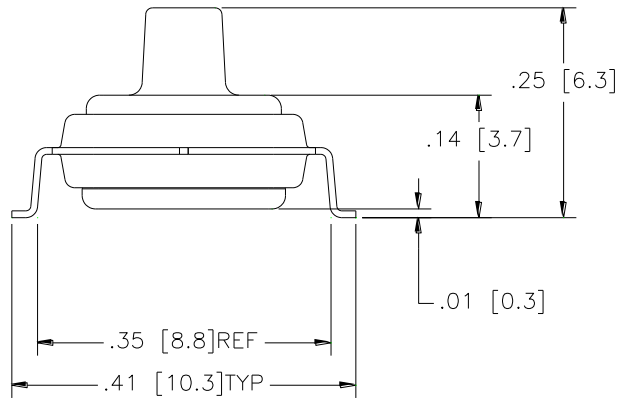
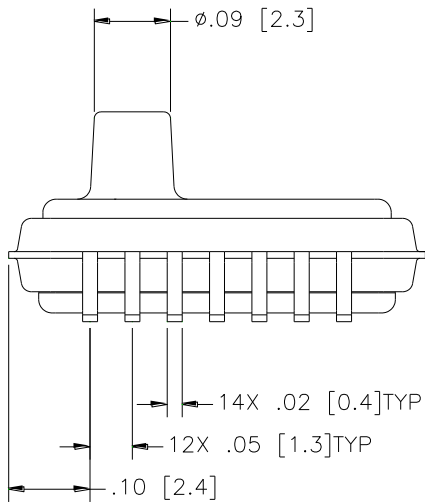
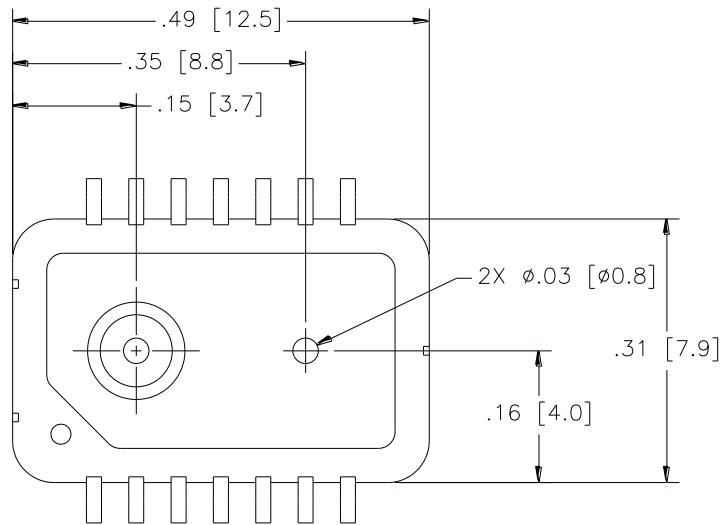
1. Place 100nF capacitor between Supply and GND to within 2 cm of sensor.

**DIMENSIONS**

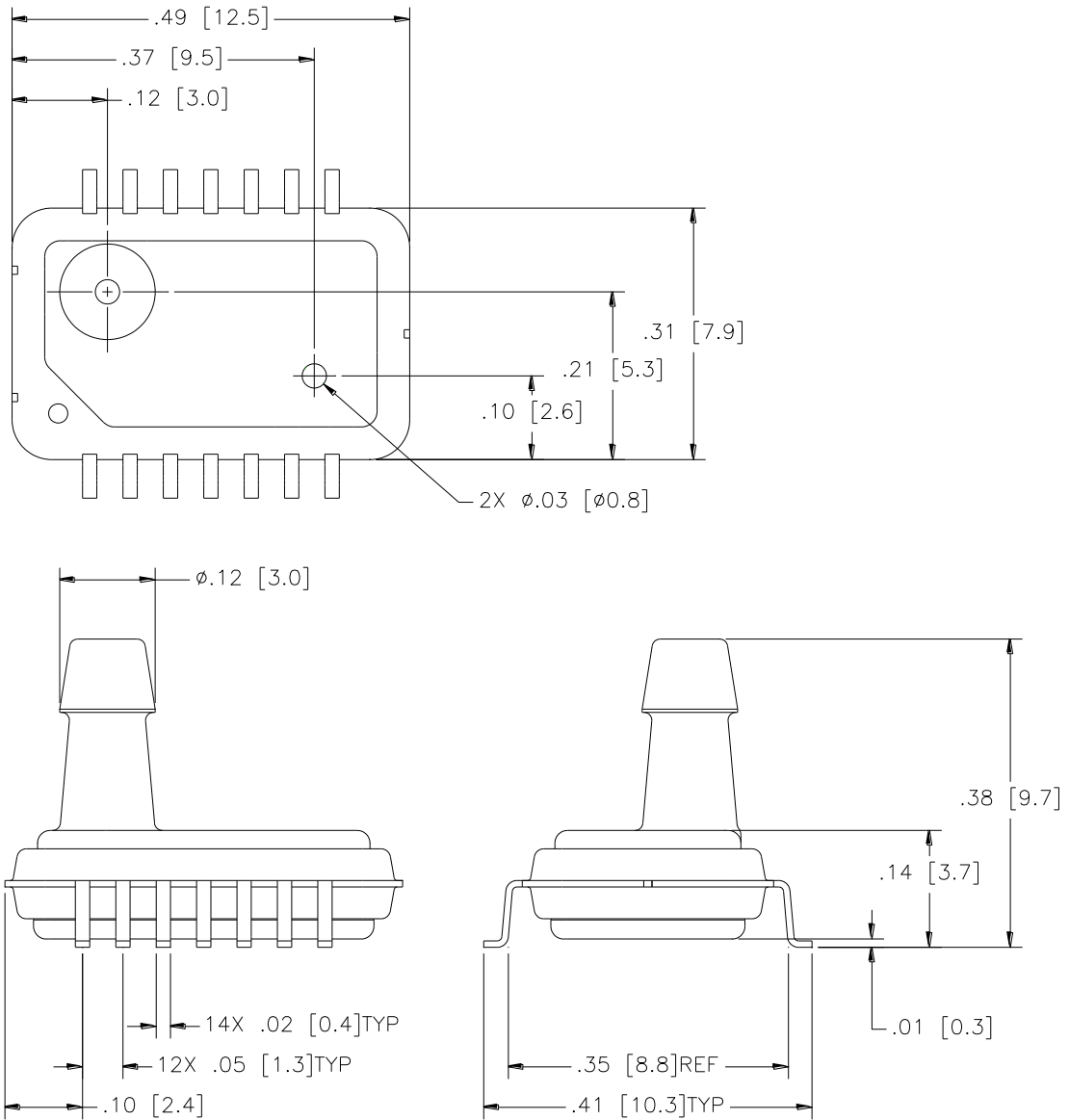
**MS5525DSO-DBxxxS**



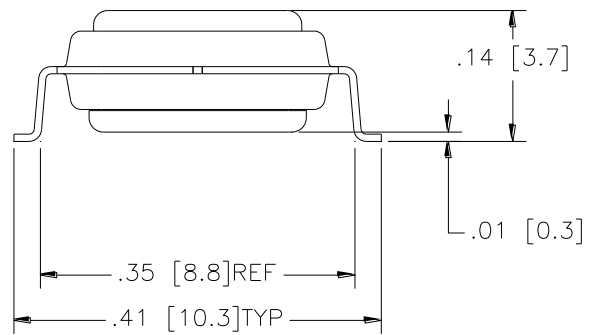
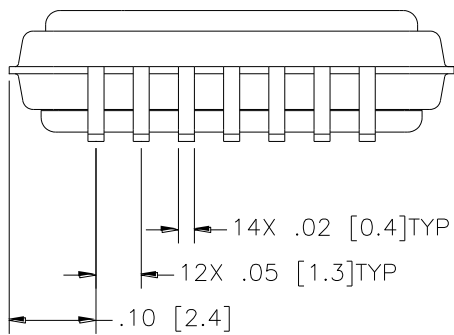
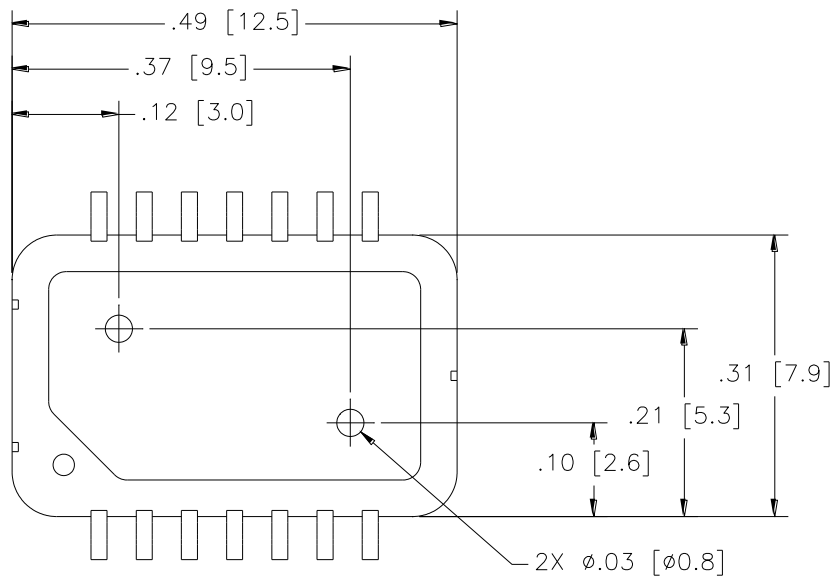
**MS5525DSO-STxxxS**



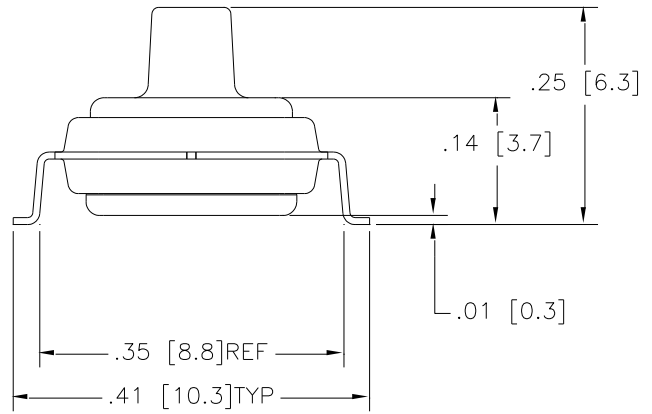
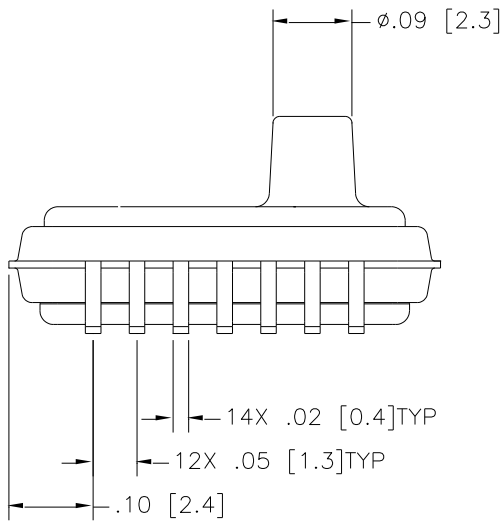
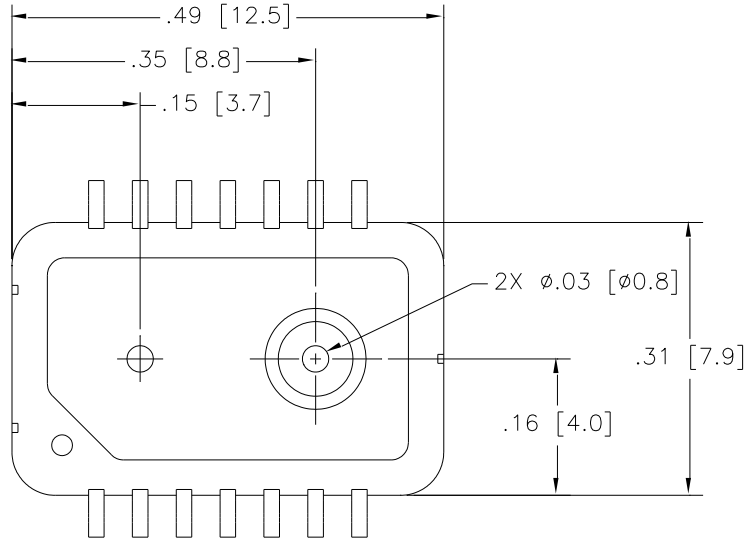
**MS5525DSO-SBxxxS**



**MS5525DSO-DHxxxS**



**MS5525DSO-FTxxxS**



## ORDERING INFORMATION

5525DSO	-	DB	005	G	S
<b>Model</b>	-	<b>Package Style</b>	<b>Pressure Range</b>	<b>Pressure Type</b>	<b>Pin Style</b>
<b>MS5525DSO</b>	-	<b>DB</b> = Dual Barb <b>SB</b> = Single Barb <b>ST</b> = Single Tube <b>DH</b> = Dual Hole <b>FT</b> = Front Tube	<b>001</b> <b>002</b> <b>005</b> <b>015</b> <b>030</b>	<b>A</b> = Absolute <b>D</b> = Differential <b>G</b> = Gauge	<b>S</b> = Gull Wing

### NORTH AMERICA

Measurement Specialties, Inc.,  
a TE Connectivity company  
45738 Northport Loop West  
Fremont, CA 94538  
Tel: +1 800 767 1888  
Fax: +1 510 498 1578  
[customercare.fmt@te.com](mailto:customercare.fmt@te.com)

### EUROPE

MEAS Switzerland Sarl,  
a TE Connectivity company  
Ch. Chapons-des-Prés 11  
CH-2022 Bevaix  
Tel: +41 32 847 9550  
Fax: +41 32 847 9569  
[customercare.bevx@te.com](mailto:customercare.bevx@te.com)

### ASIA

Measurement Specialties (China) Ltd.,  
a TE Connectivity company  
No. 26 Langshan Road  
Shenzhen High-Tech Park (North) Nanshan District,  
Shenzhen, 518057  
China  
Tel: +86 755 3330 5088  
Fax: +86 755 3330 5099  
[customercare.shzn@te.com](mailto:customercare.shzn@te.com)

### TE.com/sensorsolutions

Measurement Specialties, Inc., a TE Connectivity company.

Measurement Specialties, TE Connectivity, TE Connectivity (logo) and EVERY CONNECTION COUNTS are trademarks. All other logos, products and/or company names referred to herein might be trademarks of their respective owners.

The information given herein, including drawings, illustrations and schematics which are intended for illustration purposes only, is believed to be reliable. However, TE Connectivity makes no warranties as to its accuracy or completeness and disclaims any liability in connection with its use. TE Connectivity's obligations shall only be as set forth in TE Connectivity's Standard Terms and Conditions of Sale for this product and in no case will TE Connectivity be liable for any incidental, indirect or consequential damages arising out of the sale, resale, use or misuse of the product. Users of TE Connectivity products should make their own evaluation to determine the suitability of each such product for the specific application.

© 2015 TE Connectivity Ltd. family of companies All Rights Reserved.