



Chipsmall Limited consists of a professional team with an average of over 10 year of expertise in the distribution of electronic components. Based in Hongkong, we have already established firm and mutual-benefit business relationships with customers from,Europe,America and south Asia,supplying obsolete and hard-to-find components to meet their specific needs.

With the principle of "Quality Parts,Customers Priority,Honest Operation,and Considerate Service",our business mainly focus on the distribution of electronic components. Line cards we deal with include Microchip,ALPS,ROHM,Xilinx,Pulse,ON,Everlight and Freescale. Main products comprise IC,Modules,Potentiometer,IC Socket,Relay,Connector.Our parts cover such applications as commercial,industrial, and automotives areas.

We are looking forward to setting up business relationship with you and hope to provide you with the best service and solution. Let us make a better world for our industry!



Contact us

Tel: +86-755-8981 8866 Fax: +86-755-8427 6832

Email & Skype: info@chipsmall.com Web: www.chipsmall.com

Address: A1208, Overseas Decoration Building, #122 Zhenhua RD., Futian, Shenzhen, China



SPI Isolator click

PID: MIKROE-2583



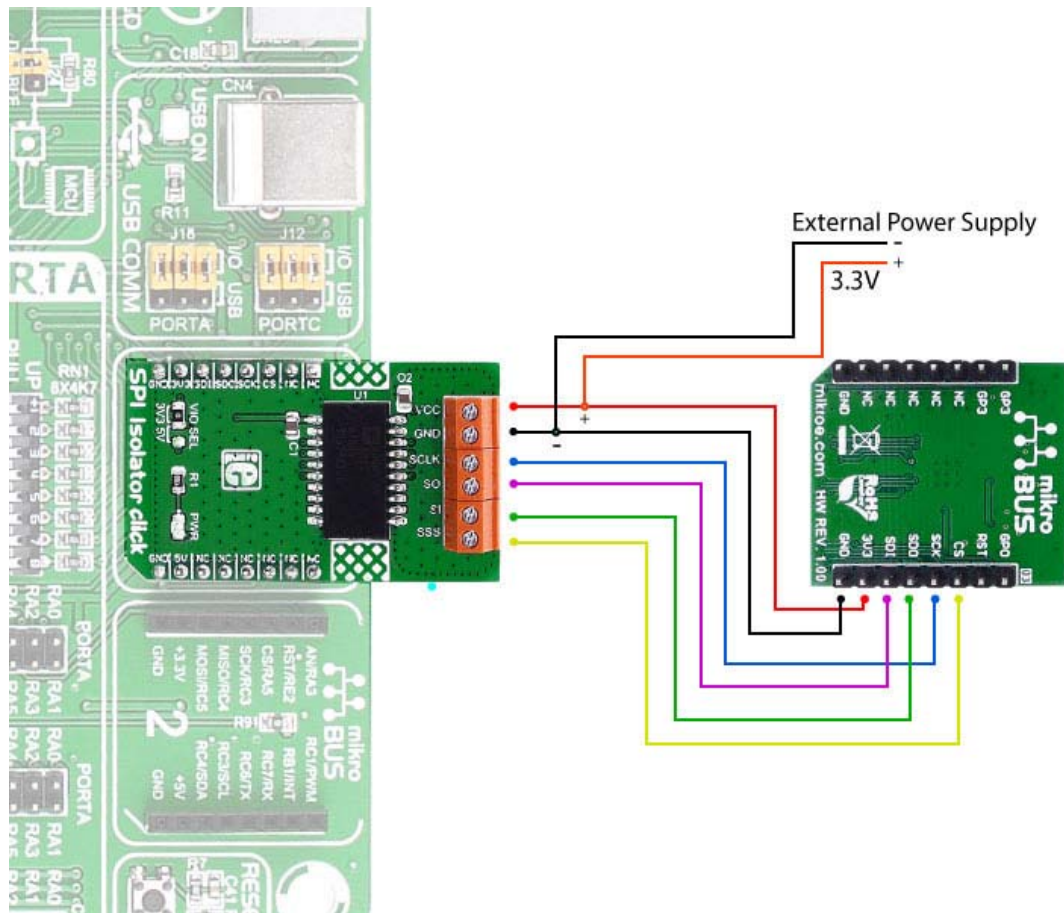
SPI Isolator click carries the ADuM4154 5kV digital isolator optimized for a serial peripheral interface (SPI). The click is designed to run on either 3.3V or 5V power supply. It communicates with the target microcontroller over SPI interface.

ADuM4154 features

The **ADuM4154** has four high-speed channels. The first three channels, CLK, MI/SO, and MO/SI (the slash indicates the connection of the particular input and output channel across the isolator) are optimized for either low propagation delay in the B grade, or high noise immunity in the A grade.

Note: For more information about the A and B grade specifications see the datasheet.

Take a look at how the click can be connected in the picture below:



Note: For this example we used the ccRF 3 click and the EasyPIC v7 development board

SPI communication

SPI (**S**erial **P**eripheral **I**nterface) communication is one of the most popular protocols for sending data between microcontrollers and different peripherals.

It is a synchronous protocol; the clock signal is provided by the master.

For more information take a look at our Learn article about SPI communication.

Key features


- ADuM4154 module
 - Supports up to 17 MHz SPI clock speed
 - 4 high speed, low propagation delay, SPI signal isolation channels
- SPI interface
- 3.3V or 5V power supply

Specification

| | |
|---------------|--|
| Product Type | SPI isolator |
| Applications | Sensor isolation, industrial programmable logic controllers (PLCs) |
| MCU | ADuM4154 digital isolator optimized for SPI |
| Key Features | The module supports up to 17 MHz SPI clock speed, 4 high speed, low propagation delay, SPI signal isolation channels |
| Key Benefits | The ADuM4154 supports up to 4 slave devices |
| Interface | SPI |
| Power Supply | 3.3V or 5V |
| Compatibility | mikroBUS |

Pinout diagram

This table shows how the pinout on **SPI Isolator click** corresponds to the pinout on the mikroBUS™ socket (the latter shown in the two middle columns).

| Notes | Pin |  mikroBUS™ | | | | Pin | Notes |
|---|-------|--|------|-----|----|-----|---------------|
| Not connected | NC | 1 | AN | PWM | 16 | NC | Not connected |
| Not connected | NC | 2 | RST | INT | 15 | NC | Not connected |
| Slave Select from the Master | MSS | 3 | CS | TX | 14 | NC | Not connected |
| SPI Clock from the Master Controller | MCLK | 4 | SCK | RX | 13 | NC | Not connected |
| SPI Data from the Slave to the Master MI/SO Line | MI | 5 | MISO | SCL | 12 | NC | Not connected |
| SPI Data from the Master to the Slave MO/SI Line | MO | 6 | MOSI | SDA | 11 | NC | Not connected |
| Power supply | +3.3V | 7 | 3.3V | 5V | 10 | +5V | Power supply |
| Ground | GND | 8 | GND | GND | 9 | GND | Ground |