



Chipsmall Limited consists of a professional team with an average of over 10 year of expertise in the distribution of electronic components. Based in Hongkong, we have already established firm and mutual-benefit business relationships with customers from,Europe,America and south Asia,supplying obsolete and hard-to-find components to meet their specific needs.

With the principle of "Quality Parts,Customers Priority,Honest Operation,and Considerate Service",our business mainly focus on the distribution of electronic components. Line cards we deal with include Microchip,ALPS,ROHM,Xilinx,Pulse,ON,Everlight and Freescale. Main products comprise IC,Modules,Potentiometer,IC Socket,Relay,Connector.Our parts cover such applications as commercial,industrial, and automotives areas.

We are looking forward to setting up business relationship with you and hope to provide you with the best service and solution. Let us make a better world for our industry!



Contact us

Tel: +86-755-8981 8866 Fax: +86-755-8427 6832

Email & Skype: info@chipsmall.com Web: www.chipsmall.com

Address: A1208, Overseas Decoration Building, #122 Zhenhua RD., Futian, Shenzhen, China



mikroBoard for PIC 80-pin™

Manual

All MikroElektronika's development systems represent irreplaceable tools for programming and developing microcontroller-based devices. Carefully chosen components and the use of machines of the last generation for mounting and testing thereof are the best guarantee of high reliability of our devices. Due to simple design, a large number of add-on modules and ready to use examples, all our users, regardless of their experience, have the possibility to develop their projects in a fast and efficient way.

Development System

 **MikroElektronika**

SOFTWARE AND HARDWARE SOLUTIONS FOR EMBEDDED WORLD ...making it simple

mikroBoard for PIC 80-pin

The mikroBoard is miniature development tool which includes microcontroller, programmer, small proto board and two 2x40 female headers for connection with UNI-DS6 development system.

Key features:

- MCU card for UNI-DS6;
- Standalone device;
- ON-board programmer;
- 5V power supply.

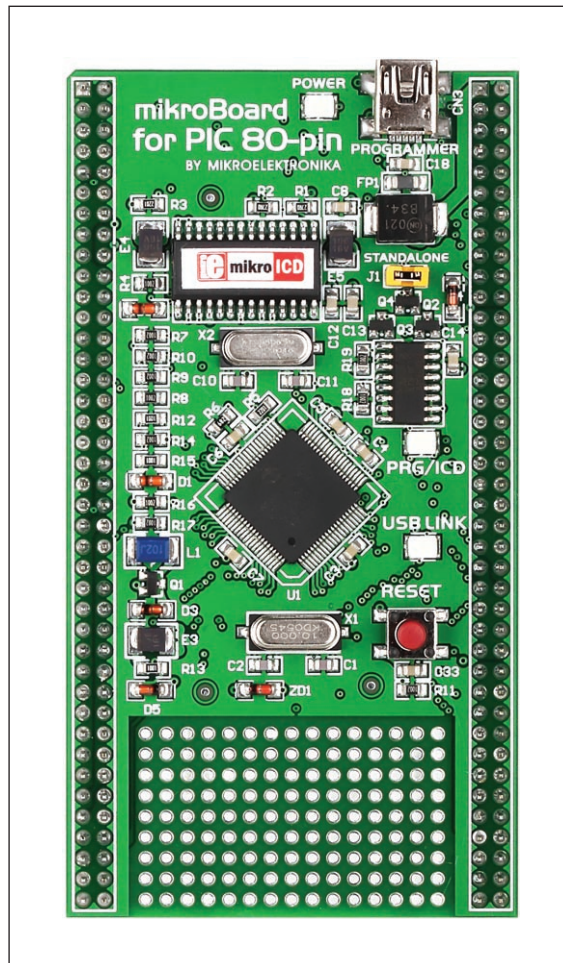


Figure 1: mikroBoard for PIC 80-pin

mikroBoard as MCU card:

Main purpose of the mikroBoard is usage as MCU card for UNI-DS6 development system. For connection with the UNI-DS6 mikroBoard use two 2x40 female headers. Integrated part of mikroBoard is programmer which is used for MCU programming. To connect on-board programmer with a PC mikroBoard use USB cable.

mikroBoard as standalone device:

To use mikroBoard as standalone device it is necessary to place jumper J1 (STANDALONE). For power supply in standalone mode mikroBoard can use USB power supply from PC via connector CN3 or via 2x40 female header. When power supply is connected via 2x40 female header it is necessary to provide regulated 5V power supply.

Programming MCU on mikroBoard:

For programming purposes it is necessary to install adequate software on your PC. mikroBoard for PIC 80-pin use mikroProg Suite for PIC programmer software which can be downloaded from:
<http://www.mikroe.com/eng/products/view/18/picflash-with-mikroicd-support/>
Procedure of software installation is explained in mikroProg Suit for PIC manual.

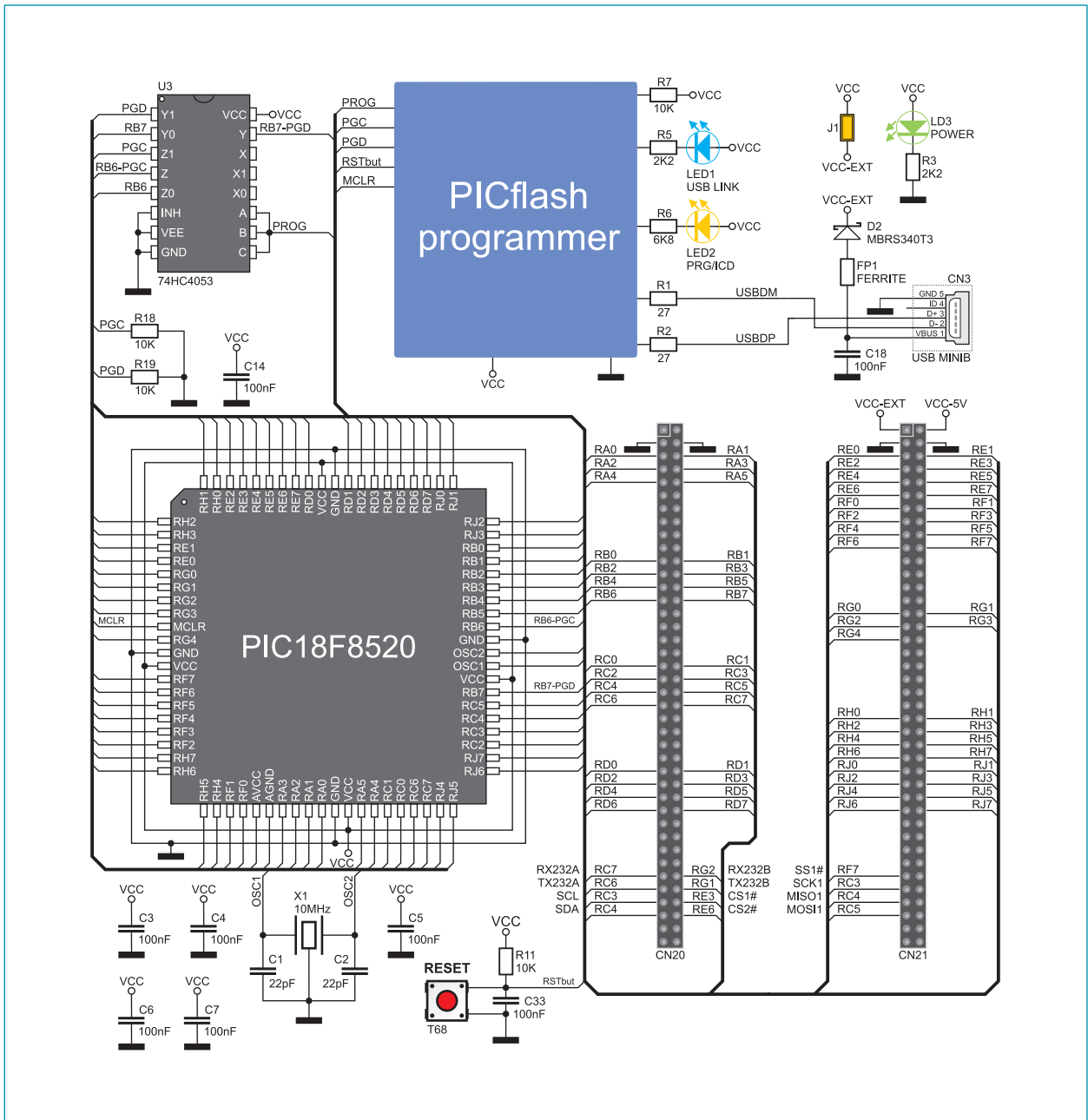


Figure 2: Connection schematic for mikroBoard

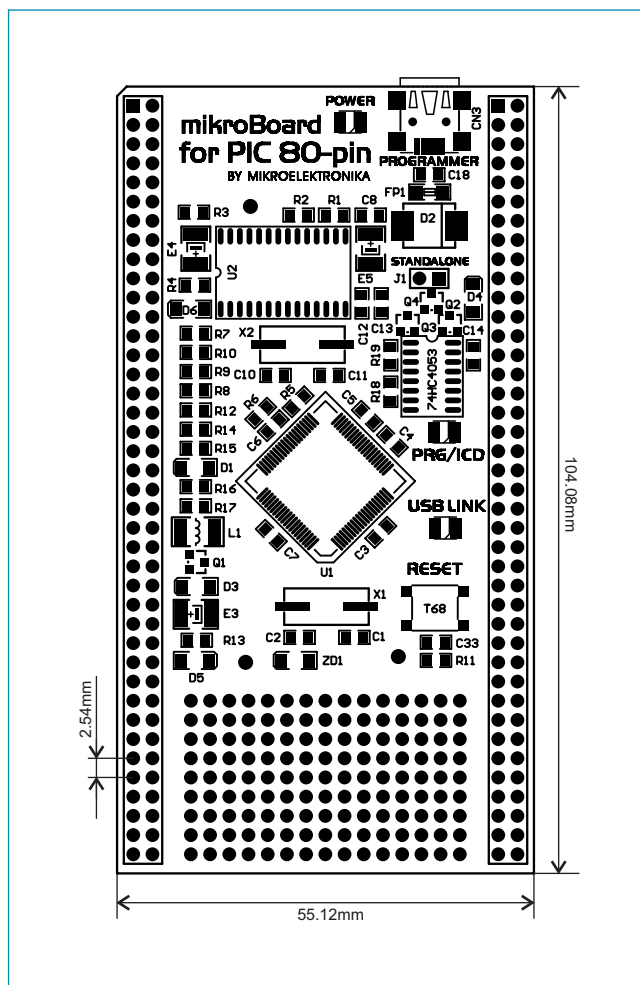


Figure 3: mikroBoard dimensions

If you want to learn more about our products, please visit our website at www.mikroe.com

If you are experiencing some problems with any of our products or just need additional information, please place your ticket at www.mikroe.com/en/support

If you have any questions, comments or business proposals, do not hesitate to contact us at office@mikroe.com