



Chipsmall Limited consists of a professional team with an average of over 10 year of expertise in the distribution of electronic components. Based in Hongkong, we have already established firm and mutual-benefit business relationships with customers from,Europe,America and south Asia,supplying obsolete and hard-to-find components to meet their specific needs.

With the principle of “Quality Parts,Customers Priority,Honest Operation,and Considerate Service”,our business mainly focus on the distribution of electronic components. Line cards we deal with include Microchip,ALPS,ROHM,Xilinx,Pulse,ON,Everlight and Freescale. Main products comprise IC,Modules,Potentiometer,IC Socket,Relay,Connector.Our parts cover such applications as commercial,industrial, and automotives areas.

We are looking forward to setting up business relationship with you and hope to provide you with the best service and solution. Let us make a better world for our industry!



## Contact us

Tel: +86-755-8981 8866 Fax: +86-755-8427 6832

Email & Skype: info@chipsmall.com Web: www.chipsmall.com

Address: A1208, Overseas Decoration Building, #122 Zhenhua RD., Futian, Shenzhen, China





# mikromedia™

for Stellaris® M3

Compact multimedia development system rich with on-board peripherals for all-round development on **LM3S9B95** device



# TO OUR VALUED CUSTOMERS

I want to express my thanks to you for being interested in our products and for having confidence in MikroElektronika.

The primary aim of our company is to design and produce high quality electronic products and to constantly improve the performance thereof in order to better suit your needs.

A white handwritten signature in cursive script, appearing to read 'N. Matic', is positioned on the right side of the page.

Nebojsa Matic  
General Manager

# Table of Contents

Introduction to mikromedia for Stellaris® M3	4	Programming with mikroProg™ programmer	16
Package Contains	5	4. Reset Button	18
Key Features	6	5. Crystal Oscillator	20
System Specification	7	6. MicroSD Card Slot	21
1. Power supply	8	7. Touch Screen	22
USB power supply	8	8. Audio Module	24
Battery power supply	8	9. USB connection	26
2. LM3S9B95 microcontroller	10	10. Accelerometer	28
Key microcontroller features	10	11. Flash Memory	29
3. Programming the microcontroller	11	12. Pads	30
Programming with mikroBootloader	12	13. Pinout	31
step 1 - Connecting mikromedia	12	14. Dimensions	32
step 2 - Browsing for .HEX file	13	15. Mikromedia Accessories	33
step 3 - Selecting .HEX file	13	16. What's Next?	34
step 4 - Uploading .HEX file	14		
step 5 - Finish upload	15		



# Introduction to mikromedia for Stellaris® M3

The **mikromedia for Stellaris® M3** is a compact development system with lots of on-board peripherals which allow development of devices with multimedia contents. The central part of the system is a 32-bit **ARM® Cortex™-M3 LM3S9B95** microcontroller. The mikromedia for Stellaris® M3 features integrated modules such as stereo MP3 codec, **TFT 320x240** touch screen display, accelerometer, MMC/SD card slot, 8 Mbit flash memory, battery charger. The board also contains MINI-B USB connector, two 1x26 connection pads and other. It comes pre-programmed with USB HID bootloader, but can also be programmed with external programmers, such as **mikroProg™ for Stellaris®** or JTAG programmer. Mikromedia is compact and slim, and perfectly fits in the palm of your hand, which makes it a convenient platform for mobile devices.



# Package Contains



- 01 Damage resistant protective box



- 02 mikromedia for Stellaris® M3 development system



- 03 DVD with documentation and examples



- 04 mikromedia for Stellaris® M3 user's guide



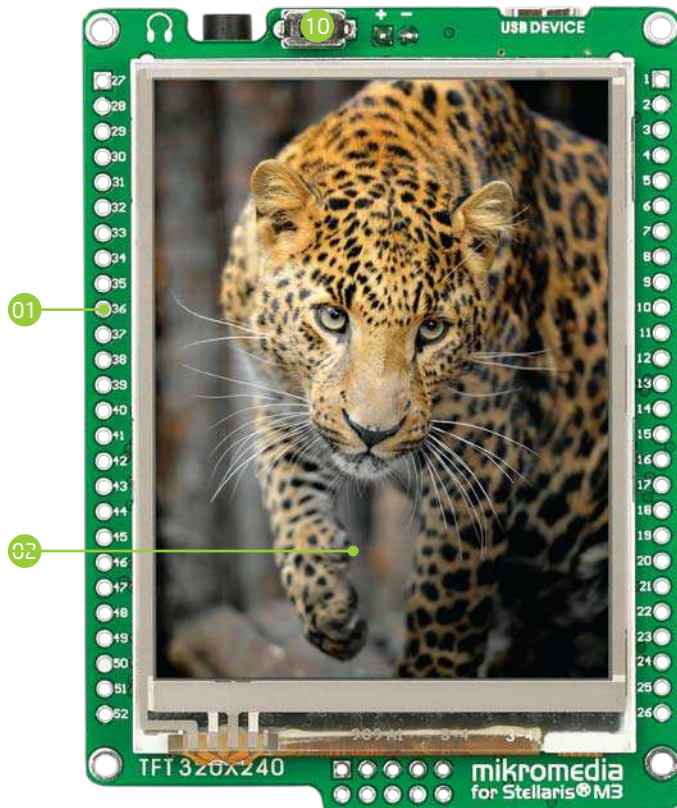
- 05 mikromedia for Stellaris® M3 schematic

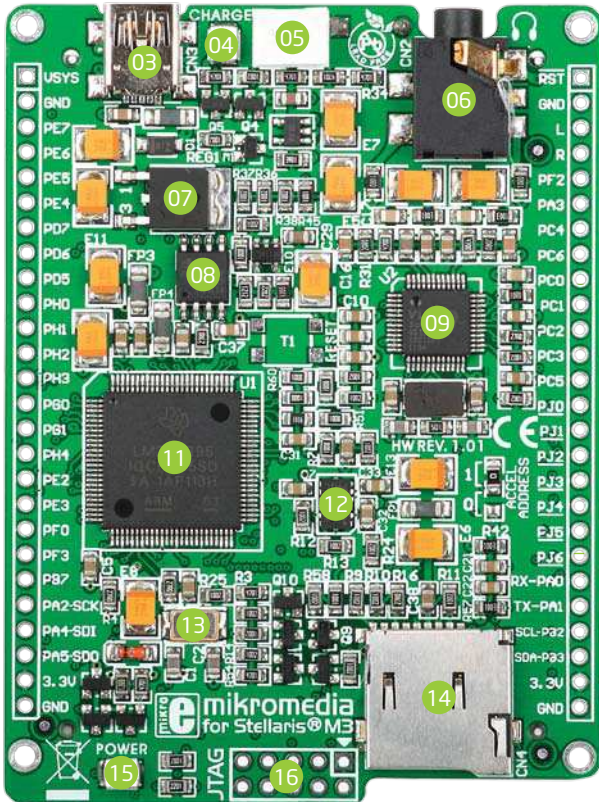


- 06 USB cable

# Key Features

- 01 Connection Pads
- 02 TFT 320x240 display
- 03 USB MINI-B connector
- 04 Charge indication LED
- 05 LI-Polymer battery connector
- 06 3.5mm headphone connector
- 07 Power supply regulator
- 08 Serial Flash memory
- 09 VS1053 Stereo mp3 coder/decoder
- 10 RESET button
- 11 Stellaris® ARM® Cortex™-M3 LM3S9B95
- 12 Accelerometer
- 13 Crystal oscillator
- 14 microSD Card Slot
- 15 Power indication LED
- 16 JTAG/SWD programmer connector





## System Specification



### power supply

Via USB cable (5V DC)



### power consumption

77 mA with erased MCU  
(when on-board modules are inactive)



### board dimensions

81.2 x 60.5 mm (3.19 x 2.38 inch)



### weight

~45 g (0.10 lbs)



# 1. Power supply



Figure 1-1: Connecting USB power supply

## USB power supply

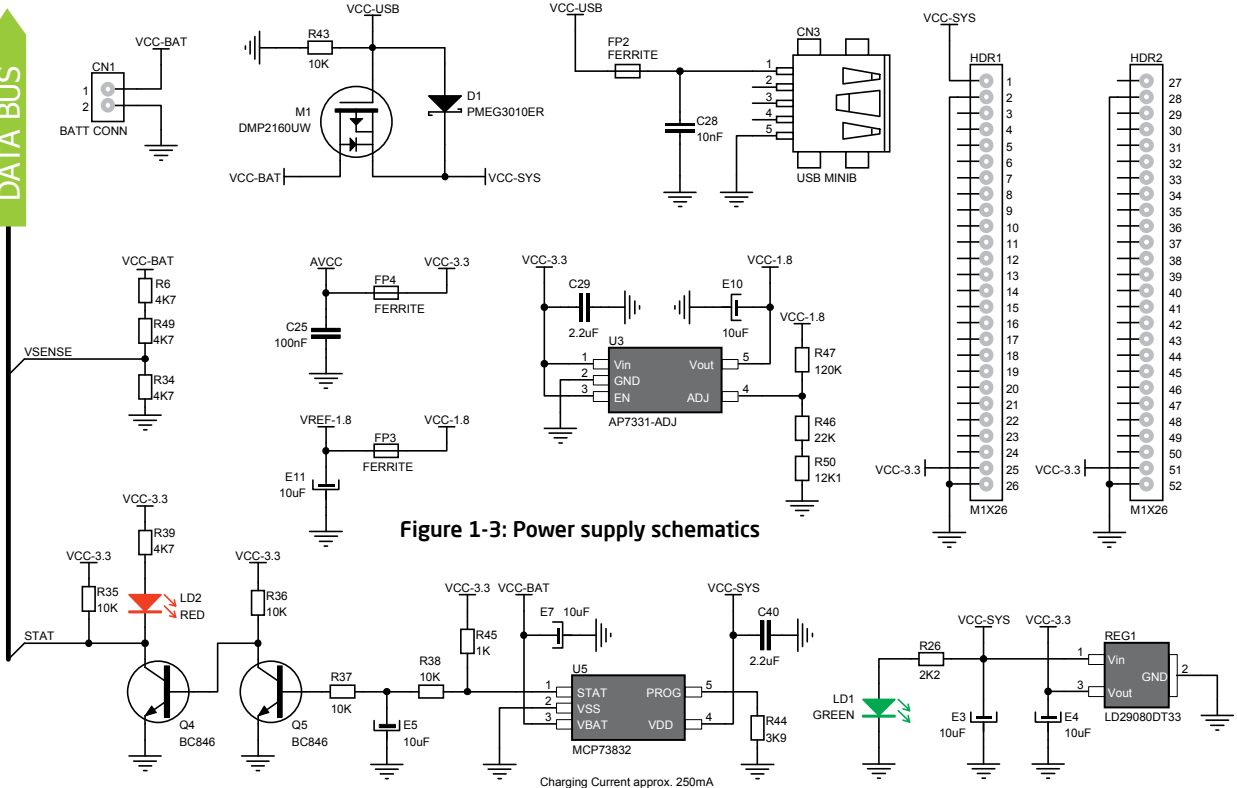
You can apply power supply to the board using **MINI-B USB** cable provided with the board. On-board voltage regulators provide the appropriate voltage levels to each component on the board. **Power LED (GREEN)** will indicate the presence of power supply.

## Battery power supply

You can also power the board using **Li-Polymer** battery, via on-board battery connector. On-board battery charger circuit **MCP73832** enables you to charge the battery over USB connection. **LED diode (RED)** will indicate when battery is charging. Charging current is ~250mA and charging voltage is 4.2V DC.



Figure 1-2: Connecting Li-Polymer battery

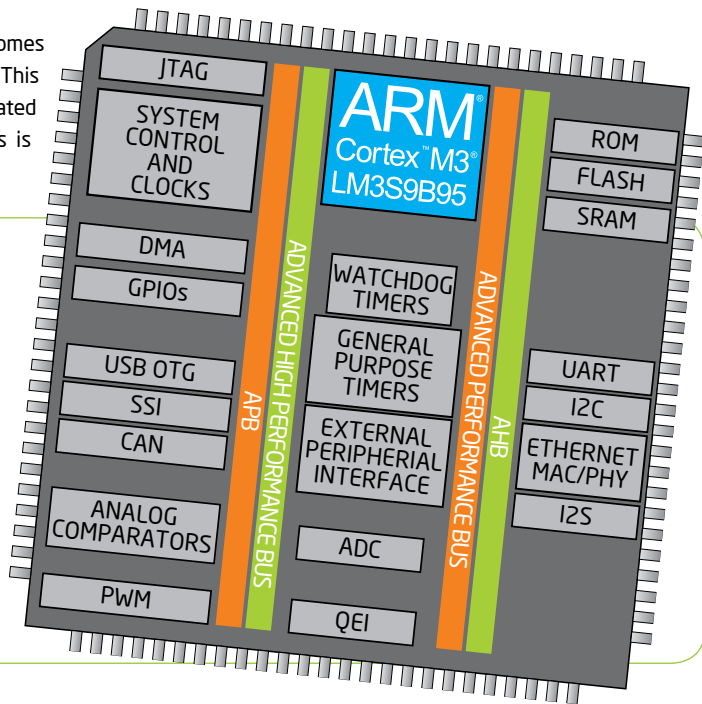


## 2. LM3S9BB95 microcontroller

The mikromedia for Stellaris® M3 development board comes with the **ARM® Cortex™-M3 LM3S9B95** microcontroller. This high-performance **32-bit** microcontroller with its integrated modules and in combination with other on-board modules is ideal for multimedia applications.

### Key microcontroller features

- Up to **100 DMIPS** Operation;
- 32-bit architecture;
- 256KB of Flash memory;
- 96KB of SRAM memory;
- 65 I/O pins;
- 32kHz RTCC;
- IEEE 1588
- Ethernet, UART, SPI, I<sup>2</sup>C, CAN, ADC etc.



### 3. Programming the microcontroller

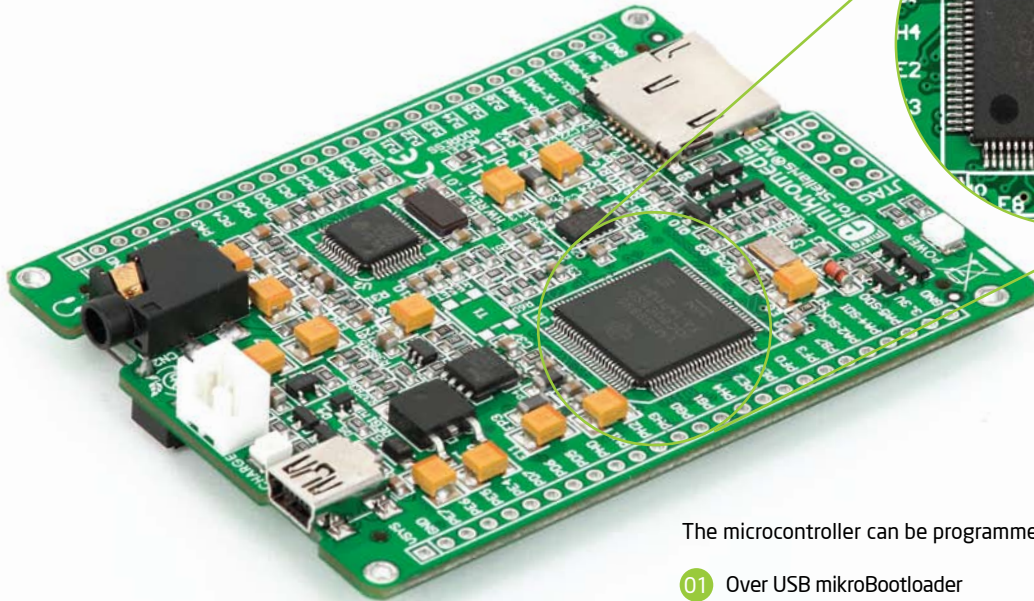


Figure 3-1:  
LM3S9B95  
ARM® Cortex™-M3  
Microcontroller

The microcontroller can be programmed in two ways:

- 01 Over USB mikroBootloader
- 02 Using external mikroProg™ or JTAG programmer



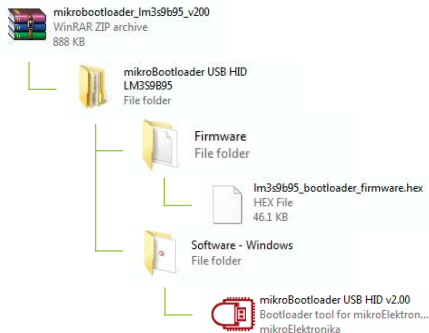
# Programming with mikroBootloader

You can program the microcontroller with bootloader which is pre programmed into the device by default. To transfer .HEX file from a PC to MCU you need bootloader software (**mikroBootloader USB HID**) which can be downloaded from:



[http://www.mikroe.com/eng/downloads/get/1752/mikrobootloader\\_lm3s9b95\\_v200.zip](http://www.mikroe.com/eng/downloads/get/1752/mikrobootloader_lm3s9b95_v200.zip)

After software is downloaded unzip it to desired location and start mikroBootloader USB HID software.



## step 1 - Connecting mikromedia



Figure 3-2: USB HID mikroBootloader window

- 01 To start, connect the USB cable, or if already connected press the **Reset** button on your mikromedia board. Click the **“Connect”** button within 5s to enter the bootloader mode, otherwise existing microcontroller program will execute.

## step 2 - Browsing for .HEX file



Figure 3-3: Browse for HEX

- 01 Click the **"Browse for HEX"** button and from a pop-up window (**Figure 3.4**) choose the .HEX file which will be uploaded to MCU memory.

## step 3 - Selecting .HEX file

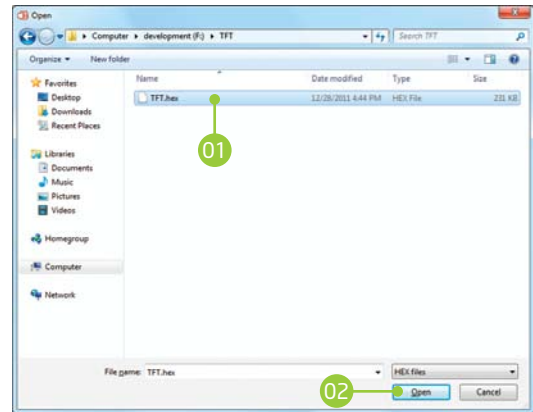


Figure 3-4: Selecting HEX

- 01 Select .HEX file using open dialog window.
- 02 Click the **"Open"** button.

## step 4 - Uploading .HEX file



Figure 3-5: Begin uploading

- 01 To start .HEX file bootloading click the "Begin uploading" button.



Figure 3-6: Progress bar

- 01 You can monitor .HEX file uploading via progress bar

## step 5 - Finish upload



Figure 3-7: Restarting MCU

- 01 Click the **"OK"** button after uploading is finished and wait for 5 seconds. Board will automatically reset and your new program will execute.



Figure 3-8: mikroBootloader ready for next job



# Programming with mikroProg™ programmer



The microcontroller can be programmed with external **mikroProg™ programmer** and **mikroProg™ for Stellaris® software**. The external programmer is connected to the development system via JTAG connector, **Figure 3-9. mikroProg™** is a fast USB 2.0 programmer with hardware Debugger support. It supports ARM® Cortex™-M3 and Cortex™-M4 microcontrollers from Stellaris®. Outstanding performance, easy operation and elegant design are its key features.



**Figure 3-9:**  
mikroProg™ JTAG  
connector

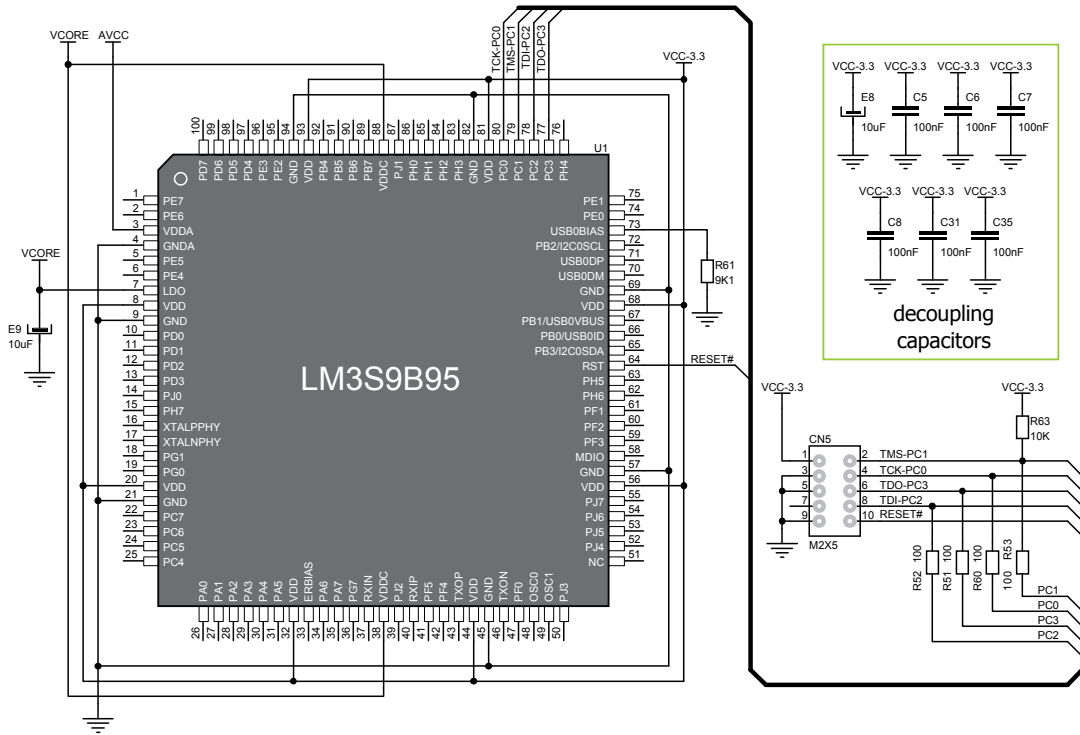
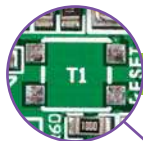


Figure 3-10: mikroProg™ programmer connection schematic

## 4. Reset Button

Board is equipped with reset button, which is located at the top of the front side (**Figure 4-2**). If you want to reset the circuit, press the reset button. It will generate low voltage level on microcontroller reset pin (input). In addition, a reset can be externally provided through **pin 27** on side headers (**Figure 4-3**).



### NOTE

*You can also solder additional reset button on the appropriate place at the back side of the board, **Figure 4-1**.*

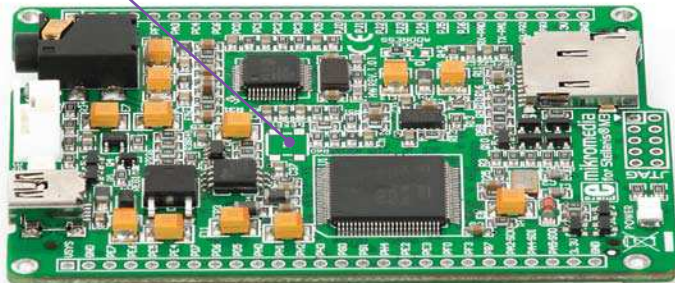


Figure 4-1: Location of additional reset button

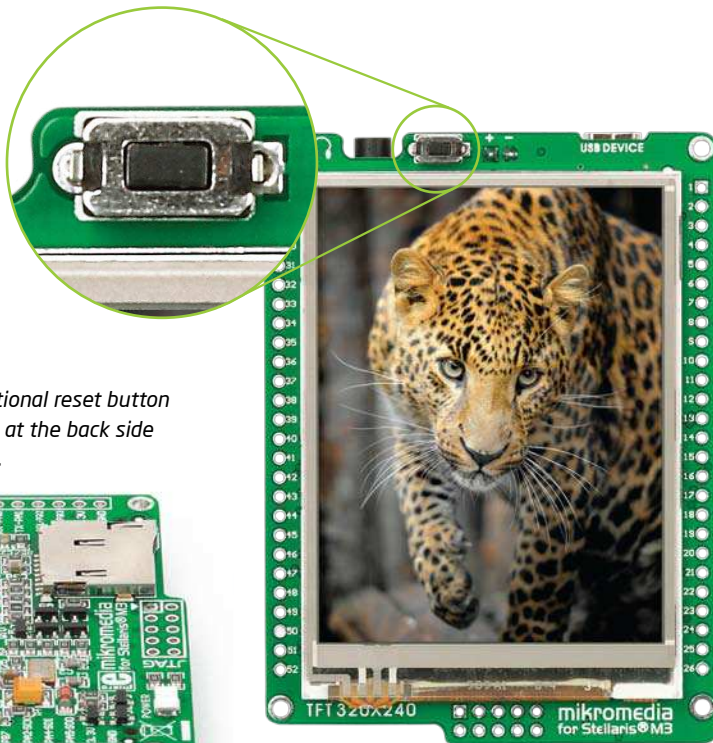


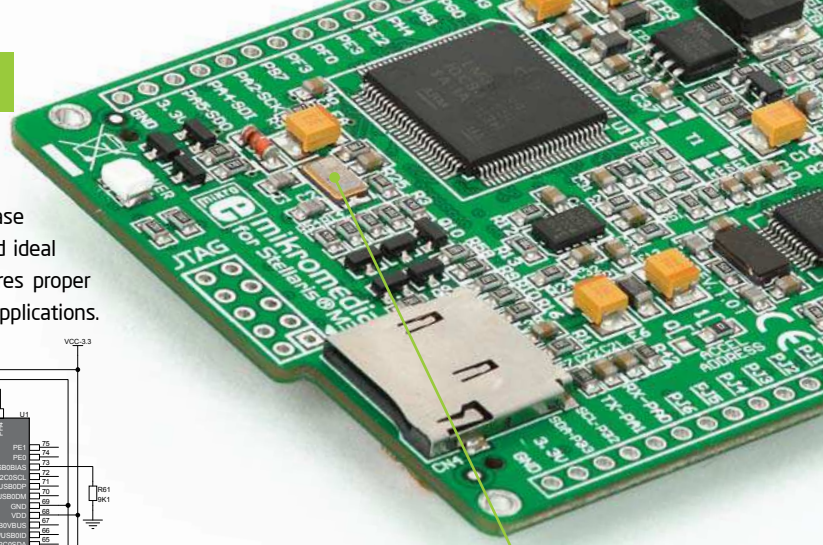
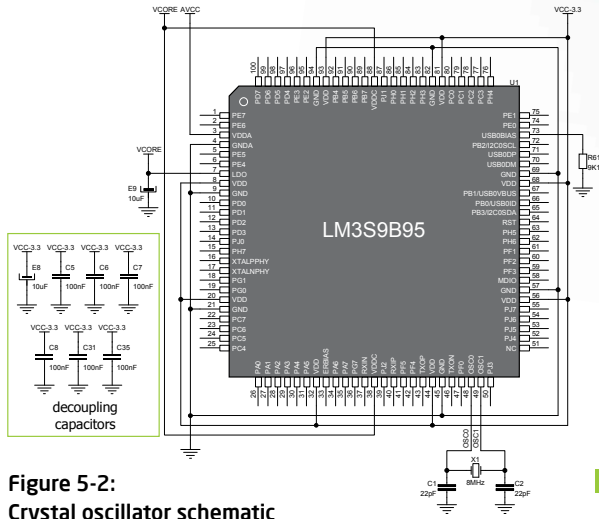
Figure 4-2: Frontal reset button





# 5. Crystal oscillator

Board is equipped with **8MHz crystal oscillator (X1)** circuit that provides external clock waveform to the microcontroller OSC0 and OSC1 pins. This base frequency is suitable for further clock multipliers and ideal for generation of necessary USB clock, which ensures proper operation of bootloader and your custom USB-based applications.

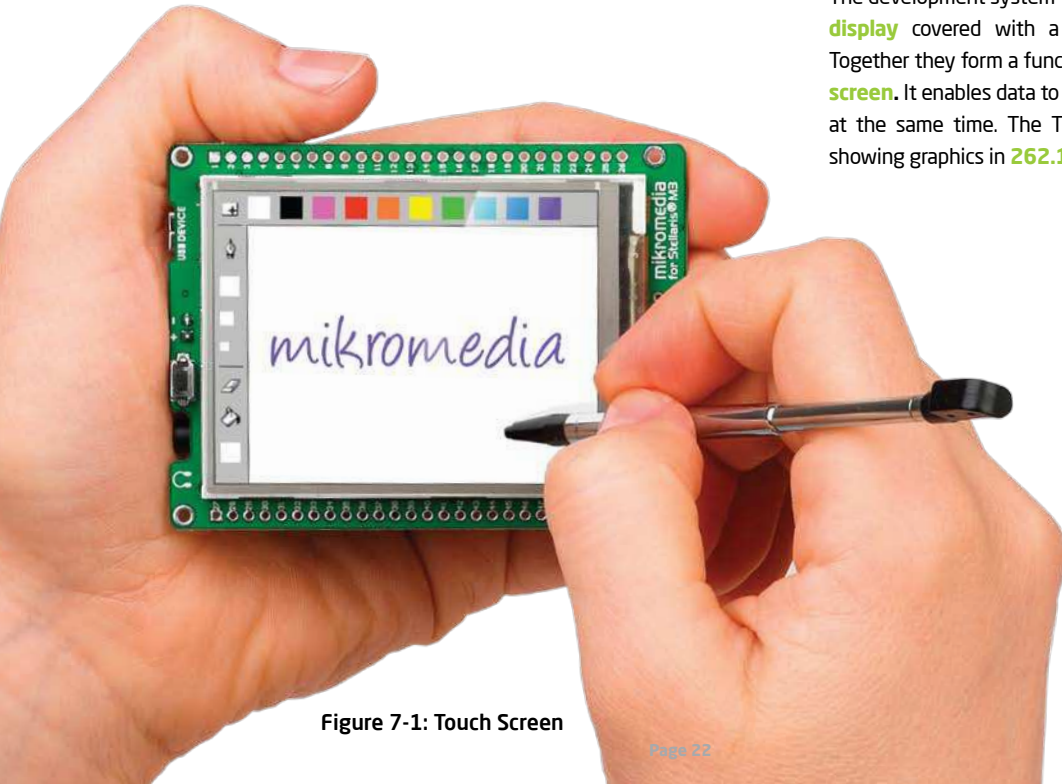


**Figure 5-1:**  
8MHz crystal oscillator

**NOTE:** The use of crystal in all other schematics is implied even if it is purposely left out, because of the schematics clarity.



## 7. Touch Screen



The development system features a **TFT 320x240 display** covered with a **resistive** touch panel. Together they form a functional unit called a **touch screen**. It enables data to be entered and displayed at the same time. The TFT display is capable of showing graphics in **262.144** different **colors**.

Figure 7-1: Touch Screen

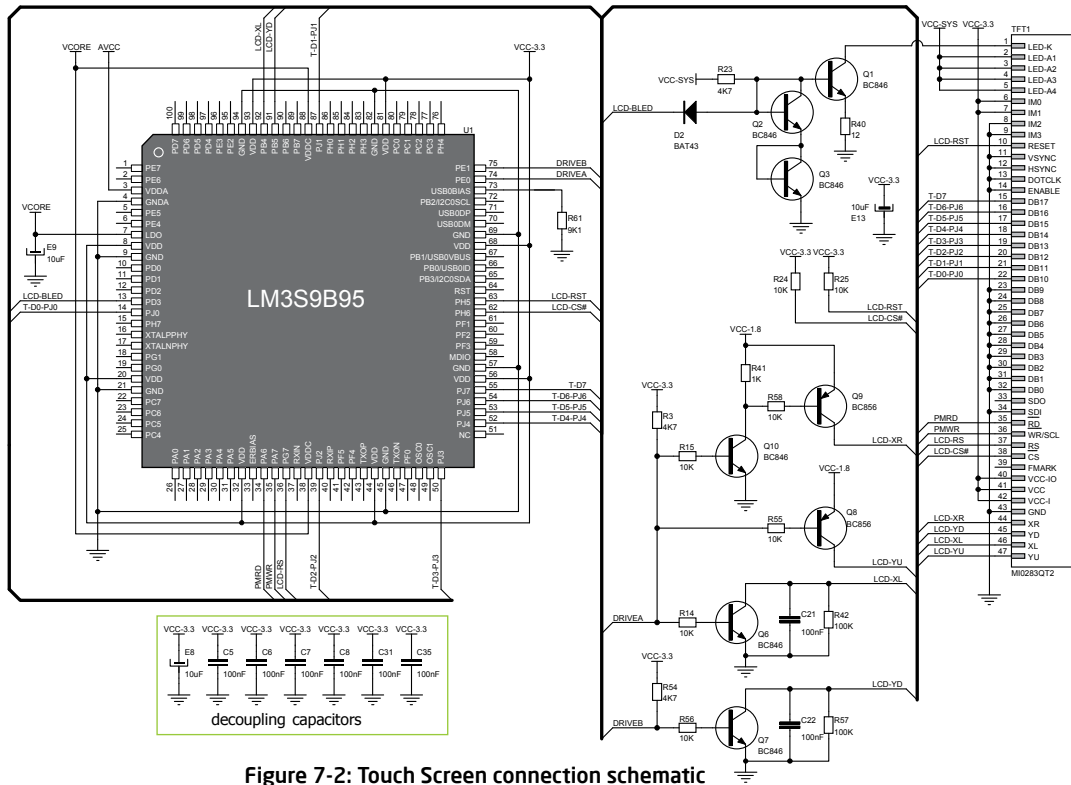


Figure 7-2: Touch Screen connection schematic

## 8. Audio Module

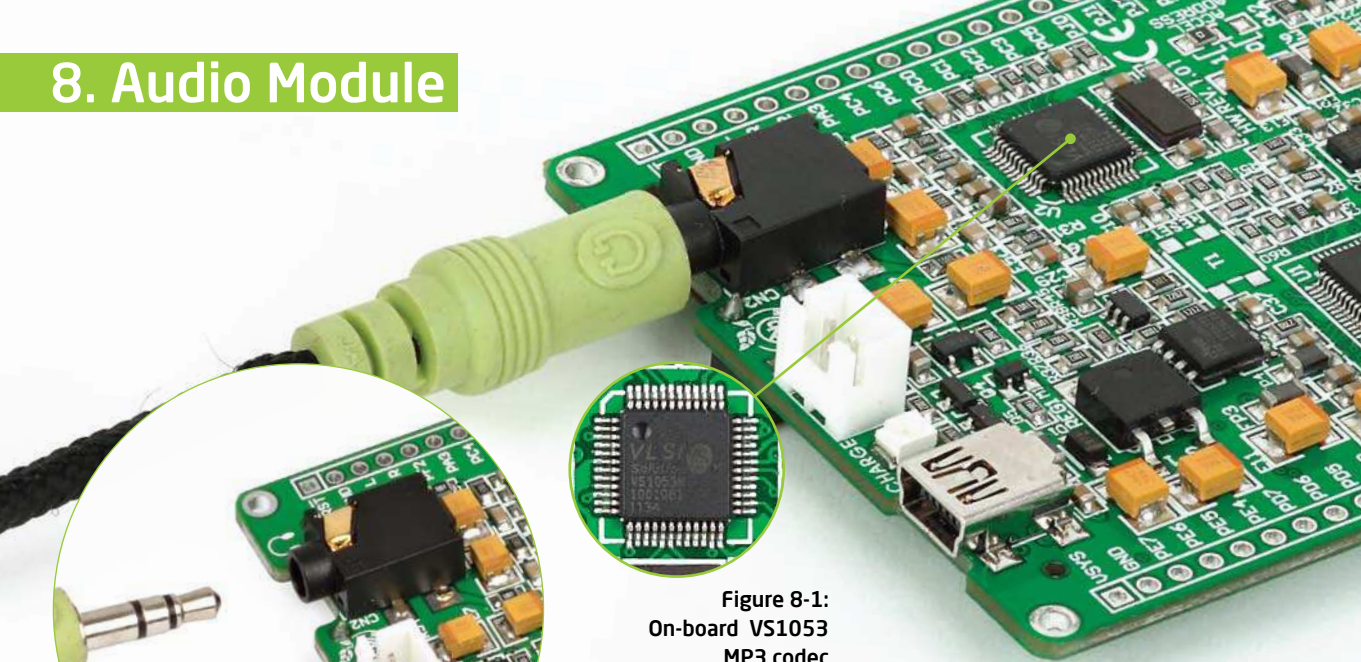


Figure 8-1:  
On-board VS1053  
MP3 codec



Figure 8-2:  
Inserting 3.5mm  
headphones jack

mikromedia for Stellaris® M3 features stereo audio codec **VS1053**. This module enables audio reproduction by using stereo headphones connected to the system via a **3.5mm** connector CN2. All functions of this module are controlled by the microcontroller over Serial Peripheral Interface (**SPI**).



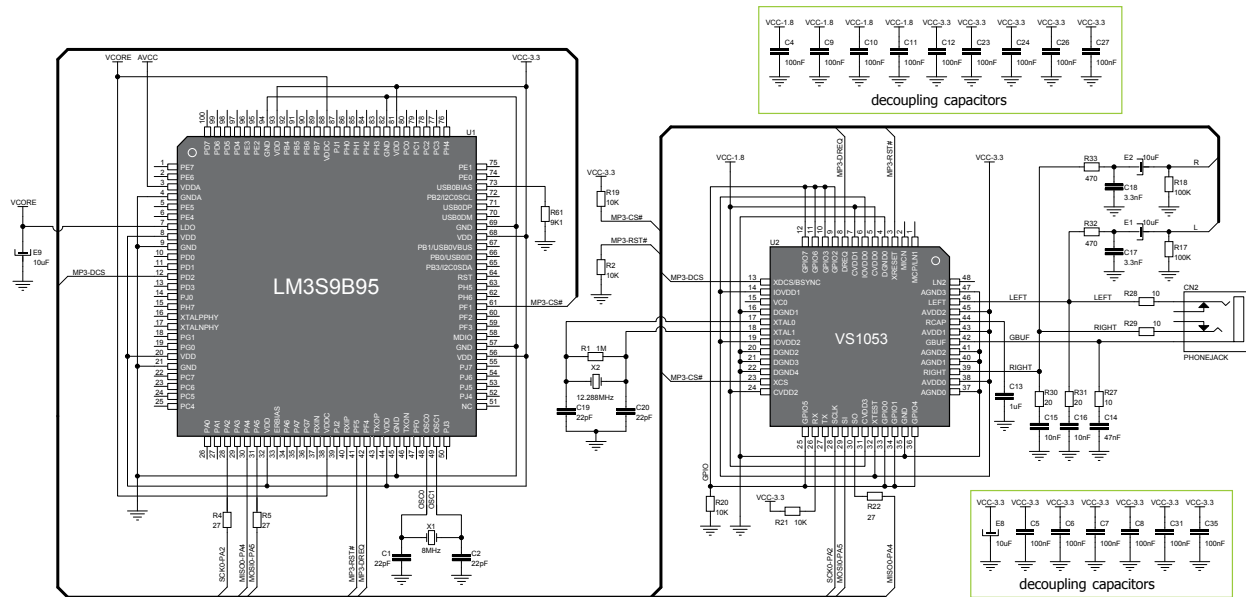


Figure 8-3: Audio module connection schematic