



Chipsmall Limited consists of a professional team with an average of over 10 year of expertise in the distribution of electronic components. Based in Hongkong, we have already established firm and mutual-benefit business relationships with customers from,Europe,America and south Asia,supplying obsolete and hard-to-find components to meet their specific needs.

With the principle of “Quality Parts,Customers Priority,Honest Operation,and Considerate Service”,our business mainly focus on the distribution of electronic components. Line cards we deal with include Microchip,ALPS,ROHM,Xilinx,Pulse,ON,Everlight and Freescale. Main products comprise IC,Modules,Potentiometer,IC Socket,Relay,Connector.Our parts cover such applications as commercial,industrial, and automotives areas.

We are looking forward to setting up business relationship with you and hope to provide you with the best service and solution. Let us make a better world for our industry!



Contact us

Tel: +86-755-8981 8866 Fax: +86-755-8427 6832

Email & Skype: info@chipsmall.com Web: www.chipsmall.com

Address: A1208, Overseas Decoration Building, #122 Zhenhua RD., Futian, Shenzhen, China



PRODUCT BRIEF:

Logic :: Freescale

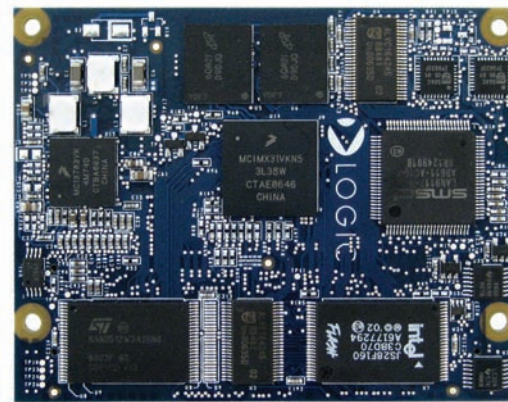
i.MX31 SOM-LV System on Module

The i.MX31 System on Module (SOM) is a compact, product-ready hardware and software solution that fast forwards your embedded product design.

Designed in the SOM-LV form factor, the i.MX31 module offers essential features for handheld and embedded networking applications. Use of custom baseboards makes the SOM-LV the ideal foundation for OEMs developing handheld and compact products. The SOM-LV provides a common reference pin-out on its expansion connectors, which enables easy scalability when new functionality or performance is required.

Application development is performed right on the product-ready i.MX31 SOM-LV and software Board Support Packages (BSPs), which enables you to seamlessly transfer your application code and hardware into production.

The i.MX31 SOM-LV is ideal for applications in the medical, point-of-sale, industrial, and security markets. From patient monitoring



i.MX31 SOM-LV SYSTEM ON MODULE

and medical imaging, to card payment terminals and bar code readers, to CCTV cameras and intruder alarms, the i.MX31 SOM-LV allows for powerful versatility and long-life products.

i.MX31 SOM-LV :: HIGHLIGHTS:

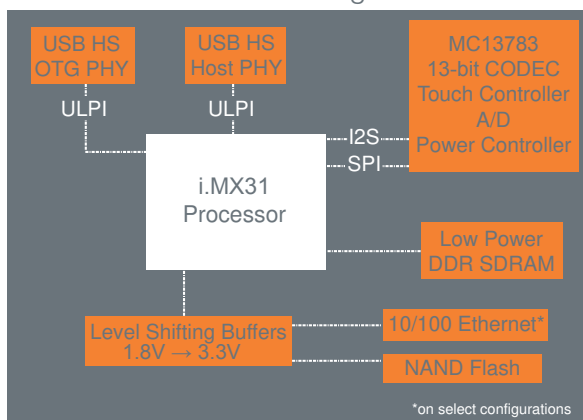
- + Product-ready System on Module with the Freescale i.MX31 processor running up to 532 MHz
- + Compact form factor—SOM-LV Type I 59.1 x 76.2 x 7.9 mm
- + Long product lifecycle
- + Microsoft Windows Embedded CE Board Support Packages (BSPs)
- + 0 °C to 70 °C (commercial temp) or -30 °C to 85 °C (extended temp)
- + RoHS compliant

ZOOM™ i.MX LITEKIT :: FEATURES:

- + Application baseboard
- + i.MX31 SOM-LV (MIMX31CSOMCR)
- + Necessary accessories to immediately get up and running
- + Kit available from Freescale (MCIMX31LITEKITC)
- + See i.MX LITEKIT product brief for more information



i.MX31 SOM-LV Block Diagram



i.MX31 SOM-LV Ordering Information

Model Number	Speed (MHz)	SDRAM (MB)	NAND Flash (MB)	NOR Flash (MB)	Touch	Audio	Ethernet	Temp
MIMX31ASOMCR	up to 532	64	64	2	Y	Y	--	0 °C to 70 °C
MIMX31BSOMCR	up to 532	64	64	2	Y	Y	Y	0 °C to 70 °C
MIMX31CSOMCR	up to 532	128	64	2	Y	Y	Y	0 °C to 70 °C
MIMX31CSOMXR	up to 532	128	64	2	Y	Y	Y	-30 °C to 85 °C

ZOOM™ i.MX LITEKIT Ordering Information

Model Number	SOM-LV Configuration	Recommended Resale
MCIMX31LITEKITC	MIMX31CSOMCR	\$675

LOGIC WEBSITE :: DESIGN RESOURCES:

- + Logic Products : www.logicpd.com/products
- + Logic Technical Support : www.logicpd.com/product-support
- + For more information contact Logic Sales : product.sales@logicpd.com



411 N. Washington Ave. Suite 400 Minneapolis, MN 55401
T : 612.672.9495 F : 612.672.9489 I : www.logicpd.com



© 2009 Logic Product Development Company. All rights reserved. PN: 1005859 Rev J

Product Features

Processor

- + Freescale ARM 1136JF-S i.MX31 processor running up to 532 MHz

SDRAM Memory

- + Low power DDR, 64 or 128 MB (128 MB standard)

Flash Memory

- + 2–4 MB scalable NOR flash (2 MB standard)
- + Scalable NAND flash (64 MB standard)

Display

- + Programmable color LCD controller
- + Built-in driver supports up to 800 x 600 with 18-bit LCD interface

Touch Screen

- + Integrated 4-wire touch screen controller (Freescale MC13783)

Network Support

- + 10/100 Base-T Ethernet controller for application/debug (SMSC LAN9117)

Audio

- + I2S compliant audio codec (Freescale MC13783—16-bit stereo DAC, 13-bit ADC)

PC Card Expansion

- + CompactFlash Type I card
- + MMC/SD card support

ATA Support

USB

- + One USB 2.0 high-speed host interface
- + One USB high-speed On-the-Go device interface (Philips ISP1504CBS)

Serial Ports

- + Three 16C550 compatible UARTs

GPIO

- + Programmable I/O depending on peripheral requirements

Software

- + LogicLoader™ (bootloader/monitor)
- + Windows Embedded CE 5.0 and 6.0 BSPs

Mechanical

- + SOM-LV Type I form factor
- + 59.1 mm wide x 76.2 mm long x 7.9 mm high

RoHS Compliant