



Chipsmall Limited consists of a professional team with an average of over 10 year of expertise in the distribution of electronic components. Based in Hongkong, we have already established firm and mutual-benefit business relationships with customers from,Europe,America and south Asia,supplying obsolete and hard-to-find components to meet their specific needs.

With the principle of "Quality Parts,Customers Priority,Honest Operation,and Considerate Service",our business mainly focus on the distribution of electronic components. Line cards we deal with include Microchip,ALPS,ROHM,Xilinx,Pulse,ON,Everlight and Freescale. Main products comprise IC,Modules,Potentiometer,IC Socket,Relay,Connector.Our parts cover such applications as commercial,industrial, and automotives areas.

We are looking forward to setting up business relationship with you and hope to provide you with the best service and solution. Let us make a better world for our industry!



Contact us

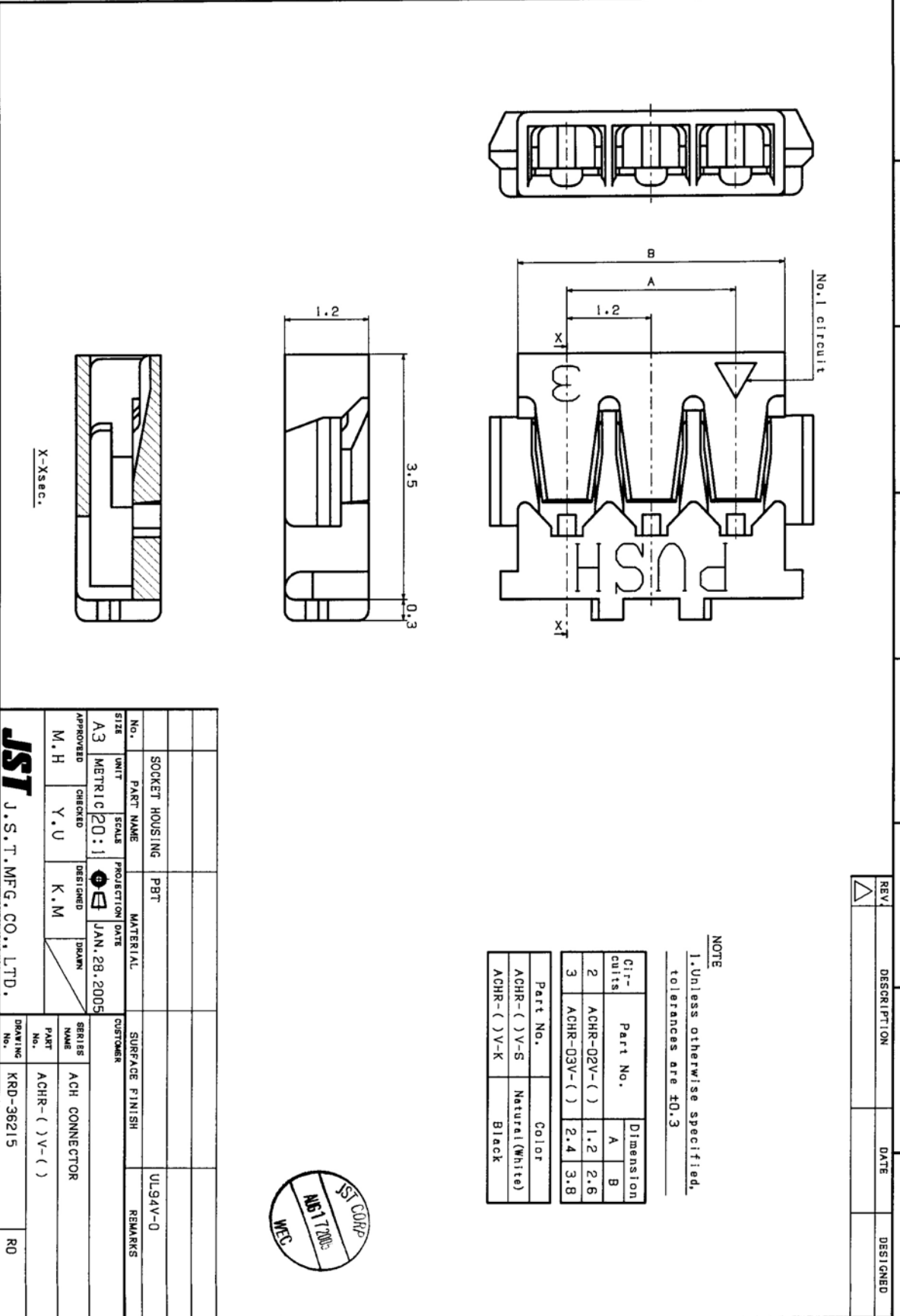
Tel: +86-755-8981 8866 Fax: +86-755-8427 6832

Email & Skype: info@chipsmall.com Web: www.chipsmall.com

Address: A1208, Overseas Decoration Building, #122 Zhenhua RD., Futian, Shenzhen, China



THIS DRAWING CONTAINS INFORMATION THAT IS PROPRIETARY TO J.S.T. AND SHOULD NOT BE USED WITHOUT WRITTEN PERMISSION.



REV	DESCRIPTION	DATE	DESIGNED
1			

NOTE

1. Unless otherwise specified, tolerances are ± 0.3

Circuit	Part No.	Dimension	
		A	B
2	ACHR-02V-()	1.2	2.6
3	ACHR-03V-()	2.4	3.8

Part No.	Color
ACHR-()V-S	Natural (White)
ACHR-()V-K	Black



SOCKET HOUSING		PBT		MATERIAL	
UNIT		SCALES		PROJECTION DATE	
A3		METRIC 20:1		JAN. 28, 2005	
APPROVED		CHECKED		DESIGNED	
M.H		Y.U		K.M	
SERIES NAME		CUSTOMER		SURFACE FINISH	
ACH CONNECTOR		UL94V-0		REMARKS	
PART NO.		ACHR-()V-()			
DRAWING NO.		KRD-36215		RD	

JST J.S.T. MFG. CO., LTD.

EC4109-2

1 2 3 4

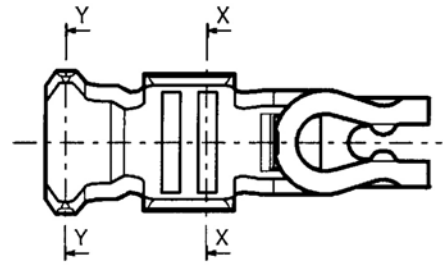
REV.	DESCRIPTION	DATE	DESIGNED
△			

A

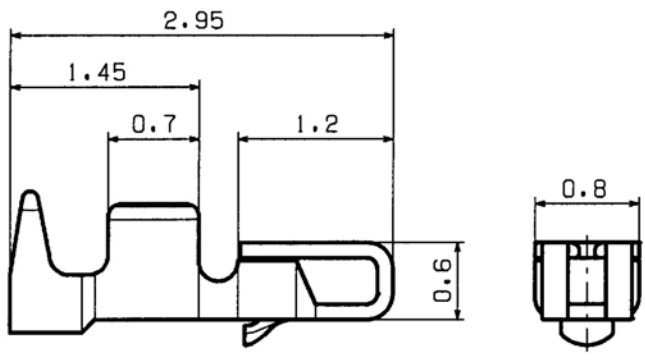
NOTE

1. Unless otherwise specified, tolerances are ±0.3

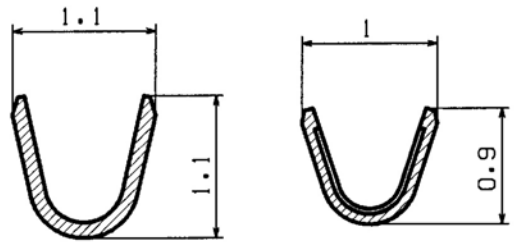
B



C



D



E

INSULATION BARREL
Y-Y sec.

WIRE BARREL
X-X sec.



F

SOCKET CONTACT		COPPER ALLOY		NICKEL-UNDERPLATED GOLD-PLATED		t0.12	
No.	PART NAME	MATERIAL		SURFACE FINISH		REMARKS	
SIZE	UNIT	SCALE	PROJECTION	DATE	CUSTOMER		
A4	METRIC	20:1		JAN.28.2005			
APPROVED	CHECKED	DESIGNED	DRAWN	SERIES NAME	ACH CONNECTOR		
M.H	Y.U	K.M		PART No.	SACH-003G-P0.2		
JST J.S.T.MFG.CO., LTD.				DRAWING No.	KRD-36214	RO	