



Chipsmall Limited consists of a professional team with an average of over 10 year of expertise in the distribution of electronic components. Based in Hongkong, we have already established firm and mutual-benefit business relationships with customers from,Europe,America and south Asia,supplying obsolete and hard-to-find components to meet their specific needs.

With the principle of “Quality Parts,Customers Priority,Honest Operation,and Considerate Service”,our business mainly focus on the distribution of electronic components. Line cards we deal with include Microchip,ALPS,ROHM,Xilinx,Pulse,ON,Everlight and Freescale. Main products comprise IC,Modules,Potentiometer,IC Socket,Relay,Connector.Our parts cover such applications as commercial,industrial, and automotives areas.

We are looking forward to setting up business relationship with you and hope to provide you with the best service and solution. Let us make a better world for our industry!



Contact us

Tel: +86-755-8981 8866 Fax: +86-755-8427 6832

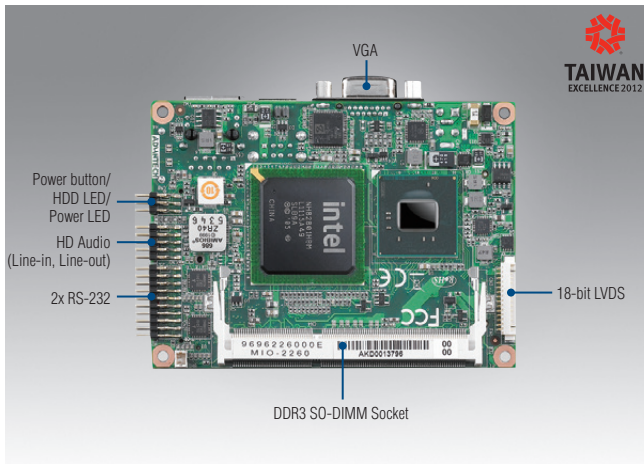
Email & Skype: info@chipsmall.com Web: www.chipsmall.com

Address: A1208, Overseas Decoration Building, #122 Zhenhua RD., Futian, Shenzhen, China



MIO-2260

Intel® Atom™ N455 Pico-ITX SBC, DDR3, 18-bit LVDS, VGA, 1 GbE, Mini PCIe, 2 USB, 2 COM, MIOe



Features

- Embedded Intel® Atom™ N455 Single-Core + ICH8M, DDR3 memory support
- Intel Gen 3.5 DX9, MPEG2 Decode in HW, Dual Independent display: 18-bit LVDS + VGA
- Supports 12 V +/- 10% input power and DC power hot plug design
- Intel GbE support, Rich I/O interface with 2 COM, 1 SATA, 2 USB 2.0, GPIO, SMBus, CF, and MIOe expansion interface
- Supports SUSIAccess and Embedded Software APIs

Software APIs:

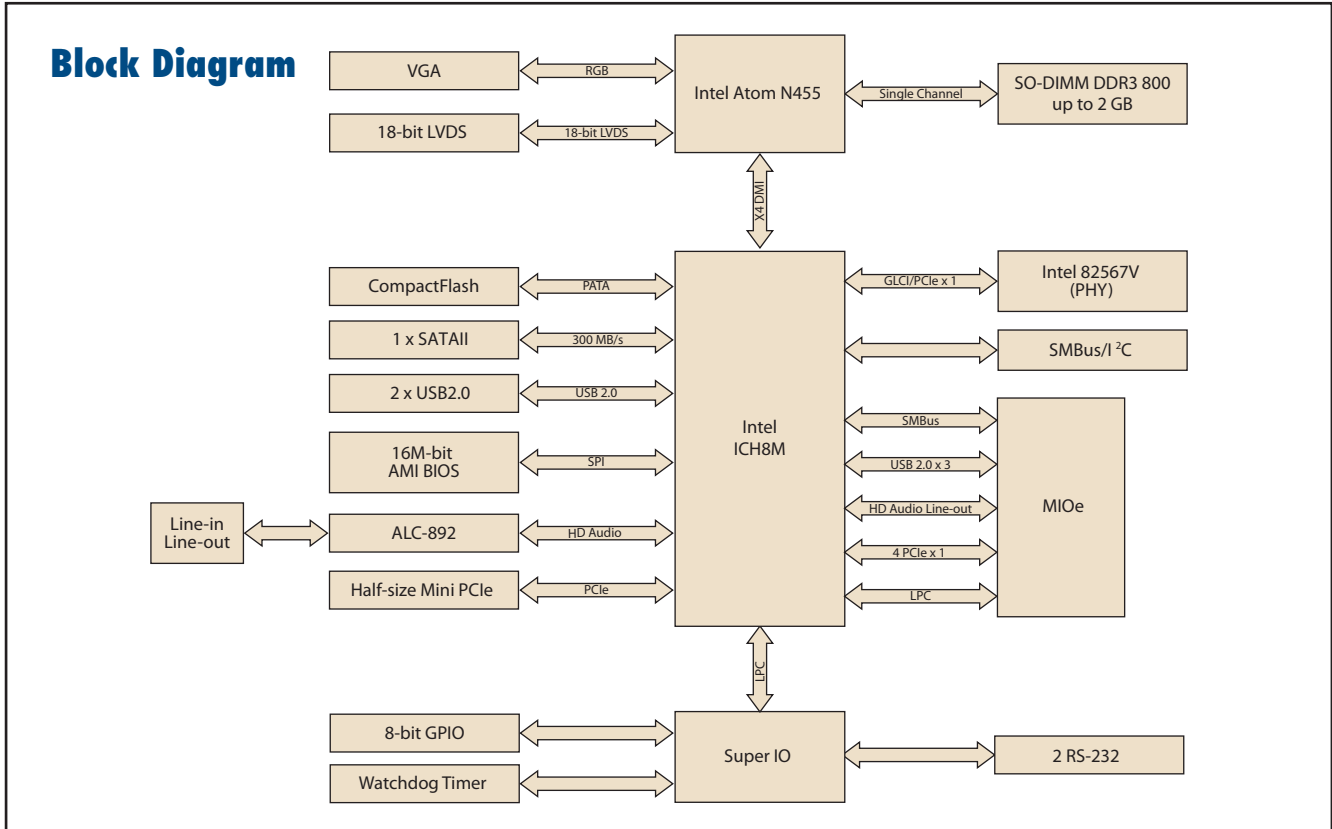


Utilities:



Specifications

Processor System	CPU	Intel Atom N455 Single-Core 1.66 GHz Processor
	Frequency	1.66 GHz
	L2 Cache	512 KB
	System Chipset	Intel N455 + ICH8M
Memory	BIOS	AMI 16 Mbit Flash BIOS
	Technology	DDR3 667 MHz
	Max. Capacity	2 GB
Display	Socket	1 x 204-pin SODIMM
	Controller	Integrated Intel GMA 3150
	VRAM	Optimized Shared Memory Architecture up to 224 MB system memory
	Graphic Engine	Intel Gen 3.5 DX9, MPEG2 Decode in HW Embedded Gen3.5+ GFX Core
	LVDS	LVDS: Single channel 18-bit LVDS up to WXGA 1366 x 768
	VGA	Intel Atom N455 Single Core up to 1400 x 1050 (SXGA)
Ethernet	Dual Display	VGA+LVDS
	Speed	10/100/1000 Mbps (Supports Wake on LAN)
	Controller	ICH8M + Intel 82567V
Audio	Connector	RJ45
	Chipset	Realtek ALC892 High Definition Audio (HD), Line-in, Line out
WatchDog Timer		Output System reset, Programmable counter from 1 ~ 255 minutes/ seconds
Storage	Compact Flash	CompactFlash TYPE I (Primary Master IDE Channel)
	SATA	1, up to 3Gb/s (300MB/s)
Rear I/O	Ethernet	1
	VGA	1
	USB	2
	DC Power Jack	1 (supported by request)
Internal I/O	Serial	2 x RS-232 (ESD protection for RS-232: Air gap ±15 kV, Contact ±8 kV)
	I ² C	1 (Shares with SMBus pin, supported by request)
	SMBus	1
	GPIO	8-bit general purpose input/ output (5 V tolerance)
Expansion	Mini PCI Express	1 x Half-size
	MIOe	SMBus, 3 x USB2.0, LPC, 4 x PCIe x1, line out, +5 Vsb/+12 Vsb power, Power On, Reset
Power	Power Type	AT (Supports DC power hot plug design)
	Power Supply Voltage	Supports single 12V input (12 V +/- 10%)
	Total peripheral power supply output	5V@ 2.8A for CPU board and MIOe module totally, 12V@ 2A for MIOe module
	Power Consumption (Typical)	0.64 A, 12 V (7.68 W)
	Power Consumption (Max, test in HCT)	0.86 A, 12 V (10.32 W)
	Power Management	ACPI
Environment	Battery	Lithium 3 V/210 mAh
	Operational	0 ~ 60° C (32 ~ 140° F) (Operational humidity: 40° C @ 95% RH, Non-Condensing)
Physical Characteristics	Non-Operational	-40° C ~ 85° C and 60° C @ 95% RH, Non-Condensing
	Dimensions (L x W)	100 x 72 mm (3.9" x 2.8")
	Weight	0.42 kg (0.93 lb), weight of total package
	Total Height	33.48 mm



Ordering Information

Part No.	CPU	L2 Cache	LVDS	VGA	GbE	HD Audio	RS-232	USB 2.0	SATAII	GPIO	CF	MIOe	Mini PCIe	DC power jack	Thermal Solution	Operational Temp.
MIO-2260NF-S6A1E	Intel Atom N455 1.66 GHz	512 KB	18-bit	Yes	1	Yes	2	2	1	8-bit	1	1	Half-size	-	Passive	0 ~ 60° C

Note: Passive = fanless; Active = with fan

Packing List

Part No.	Description	Quantity
	MIO-2260 SBC	1
	Startup Manual	1
	Utility CD	1
1700006291	SATA Cable 30cm	1
1701200220	RS-232 x 2 ports 2.0 mm pitch 22 cm	1
1700019156	Audio cable 2.0 mm pitch 20 cm (line in & line out)	1
1700019656	SATA power cable 5P-1.25/5P-2.0+SATA 5P 15 cm	1
9666226000E	Screw and stud pack (1 screw for Mini PCIe, 4 M3 studs and screws for heatsink)	1
1960053175T001	Passive heatsink 99.5 x 70.5 x 15.7 mm	

Optional Accessories

Part No.	Description
1960053176T001	Heat spreader for MIO-2260 99.5 x 70.5 x 11.2 mm

Embedded OS/API

Embedded OS/API	Part No.	Description
Windows Embedded Standard	2070010314	WES2009 V4.0 24MUI
	2070010313	WES2009 V4.0 ENG
	2070011287	WEC7 for MIO-2260
WinCE	2070010331	CE6.0 R3 Pro V6.0.0 ENG (3COM)
Windows Embedded Standard 7	2070009835	Image WES7E Intel Lunar V5.0 ENG
		QNX
Vxwork		6.8
Linux		Ubuntu 10.04
Software API		SUSI V3.0

Rear I/O View

