



Chipsmall Limited consists of a professional team with an average of over 10 year of expertise in the distribution of electronic components. Based in Hongkong, we have already established firm and mutual-benefit business relationships with customers from,Europe,America and south Asia,supplying obsolete and hard-to-find components to meet their specific needs.

With the principle of “Quality Parts,Customers Priority,Honest Operation,and Considerate Service”,our business mainly focus on the distribution of electronic components. Line cards we deal with include Microchip,ALPS,ROHM,Xilinx,Pulse,ON,Everlight and Freescale. Main products comprise IC,Modules,Potentiometer,IC Socket,Relay,Connector.Our parts cover such applications as commercial,industrial, and automotives areas.

We are looking forward to setting up business relationship with you and hope to provide you with the best service and solution. Let us make a better world for our industry!



Contact us

Tel: +86-755-8981 8866 Fax: +86-755-8427 6832

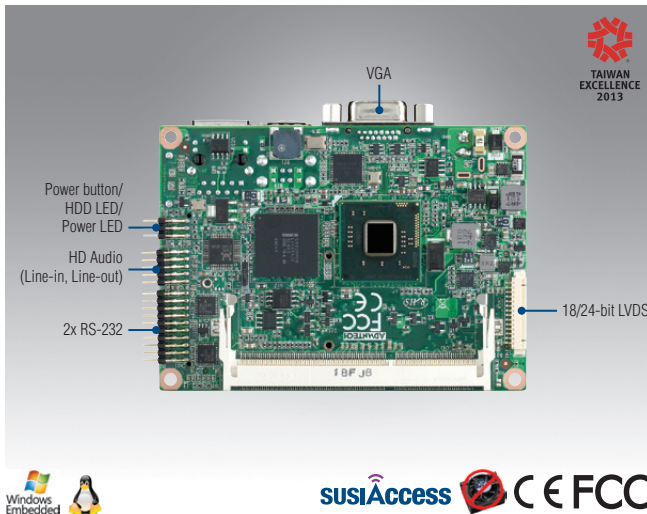
Email & Skype: info@chipsmall.com Web: www.chipsmall.com

Address: A1208, Overseas Decoration Building, #122 Zhenhua RD., Futian, Shenzhen, China



MIO-2261

Intel® Atom™ N2600/ N2800 Pico-ITX SBC, DDR3, 18/24-bit LVDS, VGA, 1 GbE, Half-size Mini PCIe, 4 USB, 2 COM, SMBus/I²C, mSATA & MIOe



Features

- Embedded Intel® Atom™ Dual-Core processor N2600/ N2800 + Intel NM10, 1 x DDR3 memory support up to 4 GB
- DirectX 9, Dual Independent display: 18/24-bit LVDS + VGA
- Flexible design using integrated multiple I/O: MIOe to approach vertical applications & keep domain knowhow
- Intel GbE support, Rich I/O interface with 2 COM, 1 SATA, 4 USB 2.0, GPIO, SMBus, mSATA, and MIOe expansion interface
- Supports SUSIAccess and Embedded Software APIs

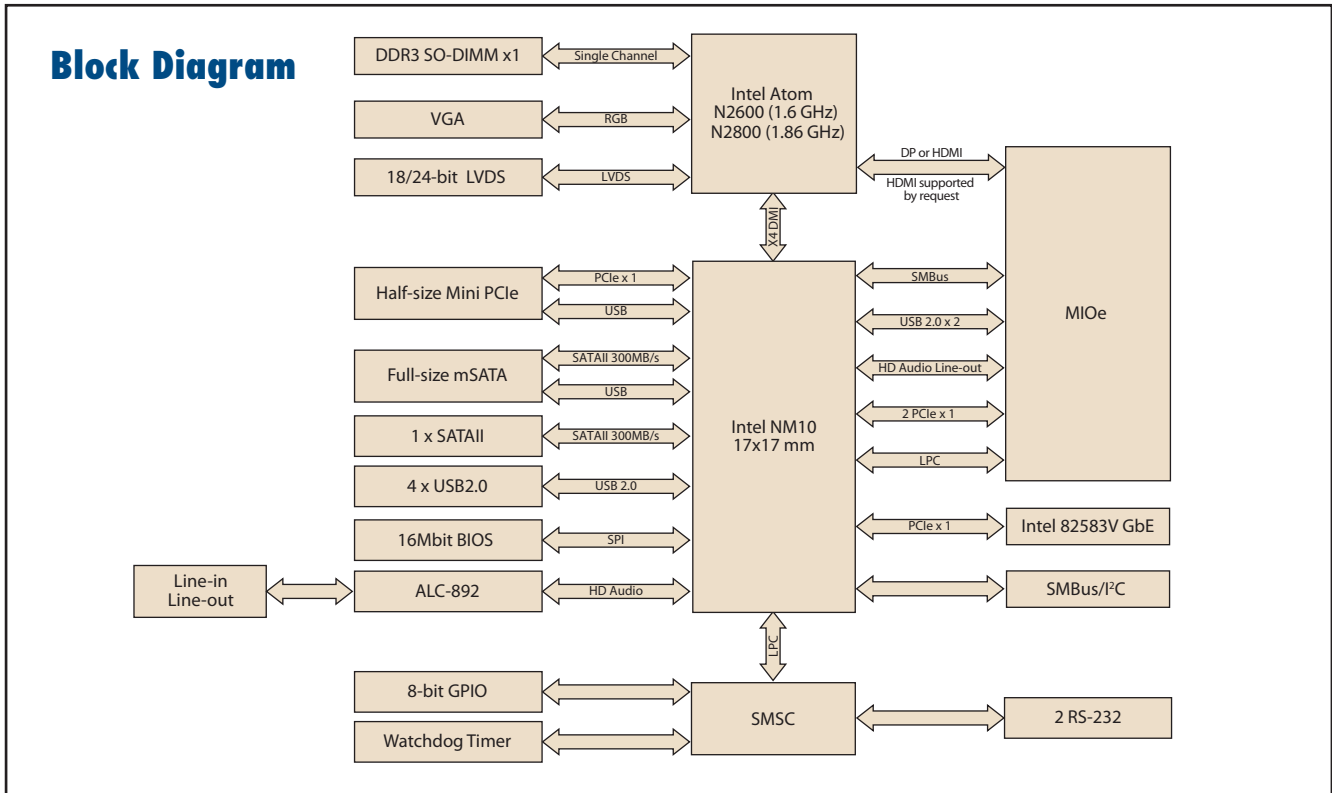
Software APIs:

Utilities:

Specifications

Processor System	CPU	Intel Atom Dual-Core N2600 1.6 GHz/ N2800 1.86 GHz
	Frequency	Dual Core 1.6 GHz/ 1.86 GHz
	L2 Cache	1 MB
	System Chipset	Intel Atom N2600/ N2800 + Intel NM10
Memory	BIOS	AMI EFI 16 Mbit
	Technology	DDR3 800 MHz (N2600), DDR3 1066 MHz (N2800)
	Max. Capacity	4 GB
	Socket	1 x 204-pin SODIMM
Display	Controller	Integrated Intel GMA 3600 Series
	Graphic Engine	DirectX 9 and OpenGL3.0 support HW Accelerated Decode: MPEG2, H.264, VC-1
	LVDS	18/24-bit LVDS1: up to 1366 x 768
	VGA	Up to 1920 x 1200
Ethernet	Dual Display	VGA+LVDS
	Speed	10/100/1000Mbps
	Controller	Intel 82583V
Audio	Connector	RJ45
	Chipset	Realtek ALC892, High Definition Audio (HD), Line-in, Line out
WatchDog Timer		Output System reset, Programmable counter from 1 ~ 255 minutes/ seconds
Storage	mSATA	1 (Integrates USB signal, supports either mSATA or USB interface module)
	SATA	1, up to 3Gb/s (300MB/s)
Rear I/O	Ethernet	1
	VGA	1
	USB	2 x USB 2.0
	DC Power Jack*	1
Internal I/O	USB	2 x USB 2.0
	Serial	2 x RS-232(ESD protection for RS-232: Air gap ±15kV, Contact ±8kV)
	I ² C*	1 (Shares with SMBus pin, supported by request)
	SMBus	1
Expansion	GPIO	8-bit general purpose input/output
	Mini PCI Express	1 x Half-size
	MIOe	SMBus, 2 x USB2.0, LPC, 2 x PCIe x1, line out, DisplayPort/HDMI*, +5 Vsb/+12 Vsb power, Power On, Reset
Power	Power Type	Single 12V DC power input (Supports DC power hot plug)
	Power Supply Voltage	Supports single 12V input, ± 10%
	Total peripheral power supply output	5V @ 3A for CPU board and MIOe module totally, 12V @ 2A for MIOe module
	Power Consumption (Typical)	N2600: 0.35 A @ 12 V (4.2 W) N2800: 0.46 A @ 12 V (5.52 W)
	Power Consumption (Max, test in HCT)	N2600: 0.76 A @ 12 V (9.12 W) N2800: 0.80 A @ 12 V (9.6 W)
	Power Management	ACPI
Environment	Battery	3 V / 210 mA
	Operation	0 ~ 60° C (32 ~ 140° F) (Operational humidity: 40° C @ 95% RH Non-Condensing)
Physical Characteristics	Non-Operation	-40° C ~ 85° C and 60° C @ 95% RH non-condensing
	Dimensions (L x W)	100 x 72 mm (3.9" x 2.8")
	Weight	0.48 kg (1.06 lb), weight of total package
	Total Height	Top Side: 15.65 mm (including heatsink); Bottom Side: 16.4 mm; PCB: 1.6 mm

* The specification is supported by request



Ordering Information

Part No.	CPU	L2 Cache	Memory	LVDS	GbE	HD Audio	VGA	USB 2.0	RS-232	mSATA	SATAII	MIOe	Mini PCIe	Power Connector	Thermal Solution	Operational Temp
MIO-2261N-S6A1E	Intel Atom N2600 1.6G	1MB	SO-DIMM	18/24-bit	1	Yes	Yes	4	2	Yes	1	Yes	Half-size	2x2 type	Passive	0 ~ 60° C
MIO-2261N-S8A1E	Intel Atom N2800 1.86G	1MB	SO-DIMM	18/24-bit	1	Yes	Yes	4	2	Yes	1	Yes	Half-size	2x2 type	Passive	0 ~ 60° C
MIO-2261Z-2GS6A1E	Intel Atom N2600 1.6G	1MB	2GB bundle	18/24-bit	1	Yes	Yes	4	2	Yes	1	Yes	Half-size	2x2 type	Passive	-20 ~ 80° C
MIO-2261Z-2GS6A1E	Intel Atom N2600 1.6G	1MB	2GB bundle	18/24-bit	1	Yes	Yes	4	2	Yes	1	Yes	Half-size	2x2 type	Passive	-40 ~ 85° C
MIO-2261Z-2GS8A1E	Intel Atom N2800 1.86G	1MB	2GB bundle	18/24-bit	1	Yes	Yes	4	2	Yes	1	Yes	Half-size	2x2 type	Passive	-40 ~ 85° C

Note: Passive = fanless; Active = with fan

Packing List

Part No.	Description	Quantity
	MIO-2261 SBC	1
	Startup Manual	1
	Utility CD	1
1700006291	SATA Cable 30cm	1
1700019656	SATA power cable 5P-1.25/5P-2.0+SATA 5P 15 cm	1
1701200220	RS-232 x 2 ports 2.0 mm pitch 22 cm	1
1700019156	Audio cable 2.0 mm pitch 20 cm (line in & line out)	1
1700002172	USB cable 2.0mm pitch USB-A(F) 17cm	1
1700019705	AT Power cable 12cm	1
9666226000E	Screw and stud pack (1 screw for Mini PCIe, 4 M3 studs and screws for heatsink)	1
1960055792T001	Heatsink (99.5 x 70.5 x 15.7 mm)	1

Rear I/O view



MIO-2261N-S6A1E
MIO-2261N-S8A1E



MIO-2261 w/ DC jack (by request)

Optional Accessories

Part No.	Description
1960055791T001	MIO-2261 Heat spreader (99.5 x 70.5 x 15.7 mm)

Embedded OS/API

Embedded OS/API	Part Number	Description
WinCE 7.0	2070012214	WEC7 V1.0 ENG
Windows Embedded Standard		WES 2009 (graphic driver support by case)
Windows Embedded Standard 7	2070011558	WES7E MIO-2261 V5.1.4 EN/DE/JP/TC
	2070011559	WES7P MIO-2261 V5.1.3 EN/TC/SC/RU/FR/DE/ES/IT/JP/KR
VxWorks		6.9.2
Linux		Ubuntu 12.04 (graphic driver support by case)
Software API		SUSI V3.0