



Chipsmall Limited consists of a professional team with an average of over 10 year of expertise in the distribution of electronic components. Based in Hongkong, we have already established firm and mutual-benefit business relationships with customers from,Europe,America and south Asia,supplying obsolete and hard-to-find components to meet their specific needs.

With the principle of “Quality Parts,Customers Priority,Honest Operation,and Considerate Service”,our business mainly focus on the distribution of electronic components. Line cards we deal with include Microchip,ALPS,ROHM,Xilinx,Pulse,ON,Everlight and Freescale. Main products comprise IC,Modules,Potentiometer,IC Socket,Relay,Connector.Our parts cover such applications as commercial,industrial, and automotives areas.

We are looking forward to setting up business relationship with you and hope to provide you with the best service and solution. Let us make a better world for our industry!



Contact us

Tel: +86-755-8981 8866 Fax: +86-755-8427 6832

Email & Skype: info@chipsmall.com Web: www.chipsmall.com

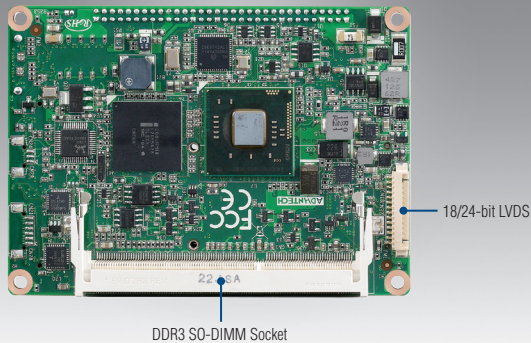
Address: A1208, Overseas Decoration Building, #122 Zhenhua RD., Futian, Shenzhen, China



MIO-2262

Intel® Atom™ N2600/ N2800 Pico-ITX SBC, DDR3, 18/24-bit LVDS, VGA, 1 GbE, Full-size Mini PCIe, 4 USB, 2 COM, SMBus, I²C, mSATA & MIOe

NEW



Features

- Embedded Intel® Atom™ Dual-Core processor N2600/ N2800 + Intel NM10, 1 x DDR3 memory support up to 4 GB
- DirectX 9, Dual Independent display: 18/24-bit LVDS + VGA
- Flexible design using integrated multiple I/O: MIOe to approach vertical applications & keep domain knowhow
- Intel GbE support, Rich I/O interface with 2 COM, 1 SATA, 4 USB 2.0, GPIO, SMBus, I²C, and MIOe expansion interface
- Supports SUSIAccess and Embedded Software APIs

Software APIs:



Utilities:

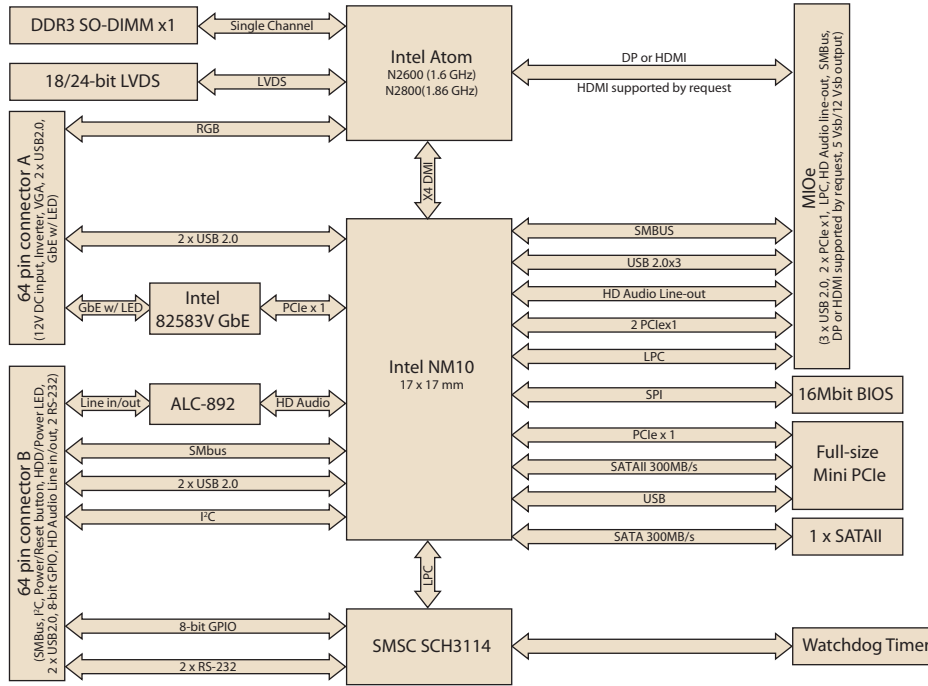


Specifications

Processor System	CPU	Intel Atom Dual-Core N2600 1.6 GHz/ N2800 1.86 GHz
	Frequency	Dual Core 1.6 GHz/ 1.86 GHz
	L2 Cache	1 MB
	System Chipset	Intel Atom N2600/ N2800 + Intel NM10
	BIOS	AMI EFI 16 Mbit
Memory	Technology	DDR3 800 MHz (N2600), DDR3 1066 MHz (N2800)
	Max. Capacity	4 GB
	Socket	1 x 204-pin SODIMM
Display	Chipset	Integrated Intel GMA 3600 Series
	Graphic Engine	DirectX 9 and OpenGL3.0 support HW Accelerated Decode: MPEG2, H.264, VC-1
	LVDS	18/24-bit LVDS1: up to 1366 x 768
	VGA	Up to 1920 x 1200
Dual Display	VGA	Up to 1920 x 1200
	Dual Display	VGA+LVDS
Ethernet	Speed	10/100/1000Mbps
	Controller	Intel 82583V
Audio	Chipset	Realtek ALC892, High Definition Audio (HD), Line-in, Line out
WatchDog Timer		Output System reset, Programmable counter from 1 ~ 255 minutes/ seconds
Storage	mSATA*	1 (Supports mSATA or USB interface module or full size miniPCIe, selected by BIOS, default is mSATA)
	SATA	1, up to 3Gb/s (300MB/s)
Expansion	Mini PCI Express	1 x Full-size
	MIOe	SMBus, 3 x USB2.0, LPC, 2 x PCIe x1, line out, DisplayPort/HDMI*, +5 Vsb/+12 Vsb power, Power On, Reset
	64-pin connector A	12V DC input, Inverter, VGA, 2 x USB2.0, 1GbE w/ LED
	64-pin connector B	SMBus, I ² C, Power/Reset button, HDD/Power LED, 2 x USB2.0, 8-bit GPIO, HD Audio Line in/out, 2 x RS-232
Power	Power Type	Single 12V DC power input
	Power Supply Voltage	Supports single 12V input, ± 10%
	Total peripheral power supply output	5V @ 3A for CPU board and MIOe module totally, 12V @ 2A for MIOe module
	Power Consumption (Typical)	N2600: 0.43 A @ 12 V (5.24 W) N2800: 0.51 A @ 12 V (6.12 W)
	Power Consumption (Max, test in HCT)	N2600: 0.67 A @ 12 V (8.05 W) N2800: 0.82 A @ 12 V (9.8 W)
	Power Management	ACPI
Environment	Battery	3 V / 210 mAH
	Operation	0 ~ 60° C (32 ~ 140° F) (Operational humidity: 40° C @ 95% RH Non-Condensing)
Physical Characteristics	Non-Operation	-40° C ~ 85° C and 60° C @ 95% RH non-condensing
	Dimensions (L x W)	100 x 72 mm (3.9" x 2.8")
	Weight	0.37 kg (0.82 lb), weight of total package
Total Height	Top Side: 15.7 mm (including heatsink); Bottom Side: 8.4 mm; PCB: 1.6 mm	

* The specification is supported by request

Block Diagram



Ordering Information

Part No.	CPU	L2 Cache	Memory	LVDS	VGA	GbE	HD Audio	USB2.0	RS-232	SATAII	Mini PCIe*	MIOe	Thermal Solution	Operational Temp.
MIO-2262N-S6A1E	Intel Atom N2600 1.6G	1MB	SO-DIMM	18/24-bit	Yes	1	Yes	4	2	1	Full-size	Yes	Passive	0 – 60° C
MIO-2262N-S8A1E	Intel Atom N2800 1.86G	1MB	SO-DIMM	18/24-bit	Yes	1	Yes	4	2	1	Full-size	Yes	Passive	0 – 60° C
MIO-2262Z-2GS6A1E	Intel Atom N2600 1.6G	1MB	2GB bundle	18/24-bit	Yes	1	Yes	4	2	1	Full-size	Yes	Passive	-20 – 80° C
MIO-2262Z-2GS8A1E	Intel Atom N2800 1.86G	1MB	2GB bundle	18/24-bit	Yes	1	Yes	4	2	1	Full-size	Yes	Passive	-40 – 85° C

* Full-size Mini PCIe supports mSATA
 Note: Passive = fanless; Active = with fan

Packing List

Part No.	Description	Quantity
	MIO-2262 SBC	1
	Startup Manual	1
1700006291	M Cable SATA 7P/SATA 7P 30cm C=R 180/90	1
9666226200E	Screw and stud pack (2 screw for Mini PCIe, 4 M3 studs and screws for heatsink)	1
1960055792T001	Heatsink (99.5 x 70.5 x 15.7 mm)	1

Optional Accessories

Part No.	Description
1960055791T001	MIO-2261 Heat spreader (99.5 x 70.5 x 15.7mm)
MIOE-DB2000-00A1E	MIO-2262 Evaluation Board

Embedded OS/API

Embedded OS/API	Part Number	Description
WinCE 7.0	2070012214	WEC7 V1.0 ENG
Windows Embedded Standard		WES 2009 (graphic driver support by case)
Windows Embedded Standard 7	2070011558	WES7E MIO-2261 V5.1.4 EN/DE/JP/TC
	2070011559	WES7P MIO-2261 V5.1.3 EN/TC/SC/RU/FR/DE/ES/IT/JP/KR
VxWorks		6.9.2
Linux		Ubuntu 12.04 (graphic driver support by case)
Software API		SUSI V3.0

Bottom side view

