



Chipsmall Limited consists of a professional team with an average of over 10 year of expertise in the distribution of electronic components. Based in Hongkong, we have already established firm and mutual-benefit business relationships with customers from,Europe,America and south Asia,supplying obsolete and hard-to-find components to meet their specific needs.

With the principle of “Quality Parts,Customers Priority,Honest Operation,and Considerate Service”,our business mainly focus on the distribution of electronic components. Line cards we deal with include Microchip,ALPS,ROHM,Xilinx,Pulse,ON,Everlight and Freescale. Main products comprise IC,Modules,Potentiometer,IC Socket,Relay,Connector.Our parts cover such applications as commercial,industrial, and automotives areas.

We are looking forward to setting up business relationship with you and hope to provide you with the best service and solution. Let us make a better world for our industry!



Contact us

Tel: +86-755-8981 8866 Fax: +86-755-8427 6832

Email & Skype: info@chipsmall.com Web: www.chipsmall.com

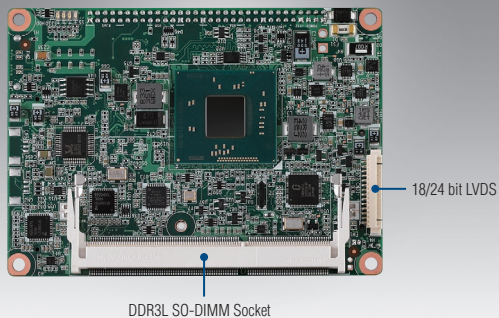
Address: A1208, Overseas Decoration Building, #122 Zhenhua RD., Futian, Shenzhen, China



MIO-3260

**Intel® Atom™ E3825 & Celeron® N2930
Pico-ITX SBC, DDR3L, 18/24-bit LVDS, VGA,
DP/HDMI, 1 GbE, Full-size Mini PCIe,
4 USB, 2 COM, SMBus, I²C, mSATA & MIOe**

NEW



Features

- Embedded Intel® Atom™ E3825 & Celeron® N2930 up to Quad-Core processor design, DDR3L 1333MHz support up to 8GB
- Intel Gen 7 DirectX®11.1 support, Dual Independent display: 18/24bit LVDS, VGA, DP/HDMI
- Flexible design using integrated multiple I/O: MIOe to approach vertical applications & keep domain knowhow
- Intel GbE support, Rich I/O interface with 2 COM, 1 SATA, 4 USB 2.0, GPIO, SMBus, I²C, and MIOe expansion interface
- Supports SUSIAccess and Embedded Software APIs

Software APIs:



Utilities:



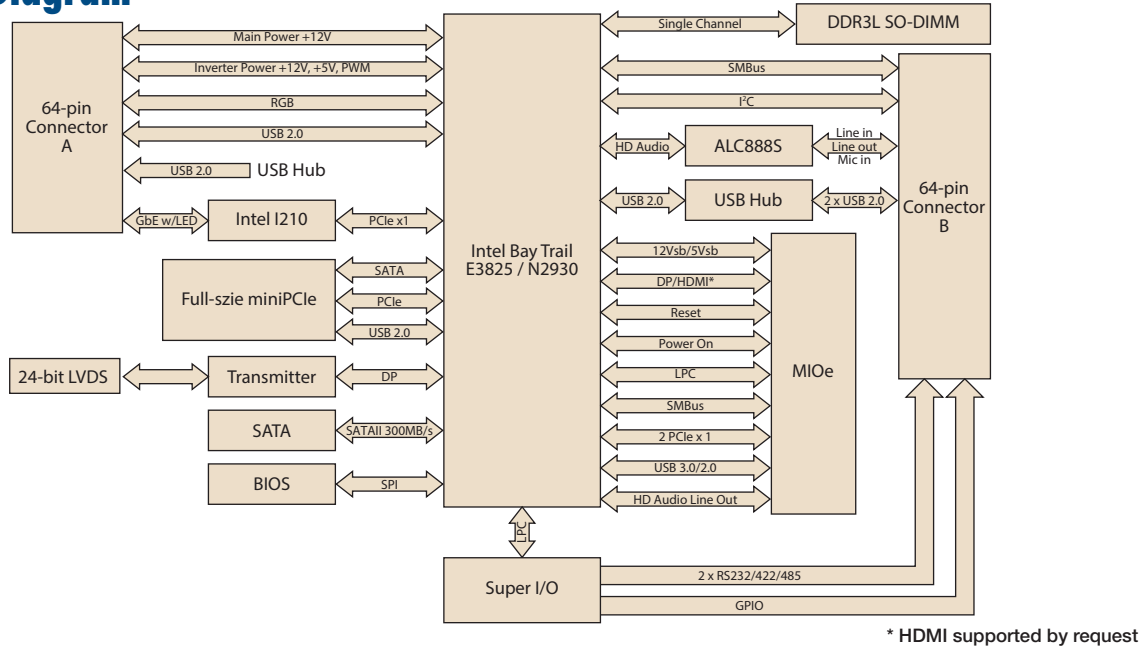
Specifications

Processor System	CPU	Intel Atom E3825	Intel Celeron N2930
	Frequency	1.33 GHz (Dual-Core)	1.83 GHz (Quad-Core)
	L2 Cache	1 MB	2 MB
	Max Turbo Frequency	-	2.16GHz
	System Chipset	Intel Atom SoC processor integrated	
Memory	BIOS	AMI EFI 64 Mbit	
	Technology	DDR3L 1333 MHz for N2930, DDR3L 1066 MHz for E3825	
	Max. Capacity	8 GB	
Display	Socket	1 x 204-pin SODIMM (Support 1.35V DDR3L)	
	Chipset	Intel Gen7 graphic engine	
	Graphic Engine	DirectX®11, Open GL3.0, Open CL 1.1, OGL ES 2.0 Encode: H.264, MPEG2 Decode: H.264, MPEG2, VC-1, WMV9	
	LVDS	Supports single channel 24-bit LVDS up to 1440 x 900 at 60Hz	
	VGA	Supports 2560 x 1600 at 60Hz	
	Dual Display	Yes (LVDS+VGA or LVDS+DP/HDMI or VGA+DP/HDMI)	
Ethernet	Speed	10/100/1000Mbps	
	Controller	Intel I210	
Audio	Chipset	Realtek ALC888S, High Definition Audio (HD), Line-in, Line out, Mic-in	
WatchDog Timer		Output System reset, Programmable counter from 1 ~ 255 minutes/ seconds	
Storage	mSATA*	1 (Supports mSATA or USB interface module or full size miniPCIe, selected by BIOS, default is mSATA)	
	SATA	1, up to 3Gb/s (300MB/s)	
Expansion	Mini PCI Express	1 x Full-size	
	MIOe	SMBus, USB3.0, LPC, 2 x PCIe x1, Line out, DisplayPort/HDMI*, +5 Vsb/+12 Vsb power, Power On, Reset	
	64-pin connector A	12V DC input, Inverter, VGA, 2 x USB2.0, 1GbE w/ LED**	
	64-pin connector B	SMBus, I ² C, Power/Reset button, HDD/Power LED, 2 x USB2.0, 8-bit GPIO, HD Audio Line-in, Line out, Mic-in, 2 x RS-232/422/485	
Power	Power Type	Single 12V DC power input	
	Power Supply Voltage	Supports single 12V input, ± 10%	
	Total peripheral power supply output	5V @ 3A for CPU board and MIOe module totally, 12V @ 2A for MIOe module	
	Power Consumption (Typical)	MIO-3260L-S3A1E(E3825): 4.47W MIO-3260L-S8A1E(N2930): 5.08W MIO-3260C-S8A1E(N2930): 4.22W	
	Power Consumption (Max)	MIO-3260L-S3A1E(E3825): 7.13W MIO-3260L-S8A1E(N2930): 9.73W MIO-3260C-S8A1E(N2930): 8.71W	
	Power Management	ACPI	
Environment	Battery	3 V / 210 mAH	
	Operation	0 ~ 60° C (32 ~ 140° F) (Operational humidity: 40° C @ 95% RH Non-Condensing)	
Physical Characteristics	Non-Operation	-40° C ~ 85° C and 60° C @ 95% RH non-condensing	
	Dimensions (L x W)	100 x 72 mm (3.9" x 2.8")	
	Weight	MIO-3260L: 0.35 kg (0.77 lb), MIO-3260C: 0.55 kg (1.21 lb), weight of total package	
	Total Height	Top Side: 15.7 mm (including heatsink); Bottom Side: 8.5 mm; PCB: 1.6 mm	

* The specification is supported by request

** MIO-3260C default support GbE only. GbE w/LED is supported by request.

Block Diagram



Ordering Information

Part No.	CPU	L2 Cache	Memory	LVDS	VGA	GbE	HD Audio	USB 2.0	RS-232/422/485	SATAII	Mini PCIe*	MIOe	Connector Type	Thermal Solution	Operational Temp.
MIO-3260L-S3A1E	Intel Atom E3825 1.33G	1MB	SO-DIMM	18/24-bit	Yes	1	Yes	4	2	1	Full-size	Yes	64-pin	Passive	0 - 60° C
MIO-3260L-S8A1E	Intel Celeron N2930 1.83G	2MB	SO-DIMM	18/24-bit	Yes	1	Yes	4	2	1	Full-size	Yes	64-pin	Passive	0 - 60° C
MIO-3260C-S8A1E	Intel Celeron N2930 1.83G	2MB	SO-DIMM	18/24-bit	Yes	1	Yes	4	2	1	Full-size	Yes	Box Wafer	Passive	0 - 60° C
MIO-3260L222GS3A1E	Intel Atom E3825 1.33G	1MB	2GB bundle	18/24-bit	Yes	1	Yes	4	2	1	Full-size	Yes	64-pin	Passive	-40 - 85° C
MIO-3260L222GS8A1E	Intel Celeron N2930 1.83G	2MB	2GB bundle	18/24-bit	Yes	1	Yes	4	2	1	Full-size	Yes	64-pin	Passive	-40 - 85° C
MIO-3260C222GS8A1E	Intel Celeron N2930 1.83G	2MB	2GB bundle	18/24-bit	Yes	1	Yes	4	2	1	Full-size	Yes	Box Wafer	Passive	-40 - 85° C

* Full-size Mini PCIe supports mSATA
 Note1: Default BIOS supports 64 bits OS installation, BIOS for 32 bits OS installation is supported by project.
 Note2: Passive - fanless; Active - with fan
 Note3: MIO-3260C with E3825 CPU is supported by request.

Packing List

Part No.	Description	Quantity
	MIO-3260 SBC	1
	Startup Manual	1
1700006291	SATA cable 30cm	1
9666226200E	Screw and stud pack (2 screw for Mini PCIe, 4 x M3 studs and screws for heatsink)	1
9666226300E	Screw and stud pack (2 screw for Mini PCIe, 4 x M3 studs and screws for heatsink)	1*
1960063455T001	Heatsink (99.5 x 70.5 x 15.7mm)	1
1700023340-01	Power Cable 2*2P-4.2/2*4P-2.0 10cm	1*
1700023339-01	Inverter and SATA power Cable 2*3P-2.0/1*5P-1.25 15cm	1*
1700023341-01	VGA Cable 15P(F)/2*6P-2.0 15CM	1*
1700019000	USB Cable 2*5P-2.0/USB-A(F)*2 w/Bracket 26CM w/Locked	1*
1700002172	USB Cable 2*5P-2.0/USB-A(F) 17CM	1*
1700019001	LAN Cable RJ-45/2*5P-2.0 15cm w/locked	1*
1700019584	Audio Cable 2*5P-2.0/Audio JACK*3 20cm	1*
1701200220	COM. Cable 2*10P-2.0/D-SUB 9P(M)*2 22CM	1*

* Only for MIO-3260C-S8A1E

Optional Accessories

Part No.	Description
1960065074N001	Heat spreader (99.5 x 70.5 x 11.2mm)
MIOE-DB2100-00A1E	MIO-3260 Evaluation Board
1700024079-01	LAN w/LED cable RJ45-8P8C/2*7P-2.0 15cm

Embedded OS/API

Embedded OS/API	Part Number	Description
WES8	2070013532	WE8 MIO-3260 X64 V6.5.2 Eng/Cht/Chs/Jpn
WES7	2070013483	WES7E MIO-3260 X64 V5.6.8 Eng/Cht/Chs/Jpn
WEC7	2070013570	WEC7 Pro MIO-3260 V1.0 Eng
VxWorks		6.9
Linux		Ubuntu V13.10
Software API		SUSI V4.0

Bottom Side View

