



Chipsmall Limited consists of a professional team with an average of over 10 year of expertise in the distribution of electronic components. Based in Hongkong, we have already established firm and mutual-benefit business relationships with customers from,Europe,America and south Asia,supplying obsolete and hard-to-find components to meet their specific needs.

With the principle of “Quality Parts,Customers Priority,Honest Operation,and Considerate Service”,our business mainly focus on the distribution of electronic components. Line cards we deal with include Microchip,ALPS,ROHM,Xilinx,Pulse,ON,Everlight and Freescale. Main products comprise IC,Modules,Potentiometer,IC Socket,Relay,Connector.Our parts cover such applications as commercial,industrial, and automotives areas.

We are looking forward to setting up business relationship with you and hope to provide you with the best service and solution. Let us make a better world for our industry!



Contact us

Tel: +86-755-8981 8866 Fax: +86-755-8427 6832

Email & Skype: info@chipsmall.com Web: www.chipsmall.com

Address: A1208, Overseas Decoration Building, #122 Zhenhua RD., Futian, Shenzhen, China



MIOS-5250

Intel® Atom™ N2600/D2550 Fanless Embedded Box PC with Multiple I/O Extension Module

NEW



Features

- Intel® Atom™ N2600 1.6 GHz/D2550 1.86 GHz Fanless Embedded Box PC, DDR3 memory supports up to 4 GB
- Rich I/O expansion possibilities through modularized design
- Various extension modules for selection: multiple serial-port / GbE, CAN Bus, PoE
- Optimized thermal design to maximize heat dissipation
- Fast customization for module, I/O bracket, color and logo
- 12~24V / 12V only DC power input for choice
- Wire clip design to prevent adapter cable losing
- Supports iManager, SUSIAccess and embedded software APIs



SUSIAccess iManager

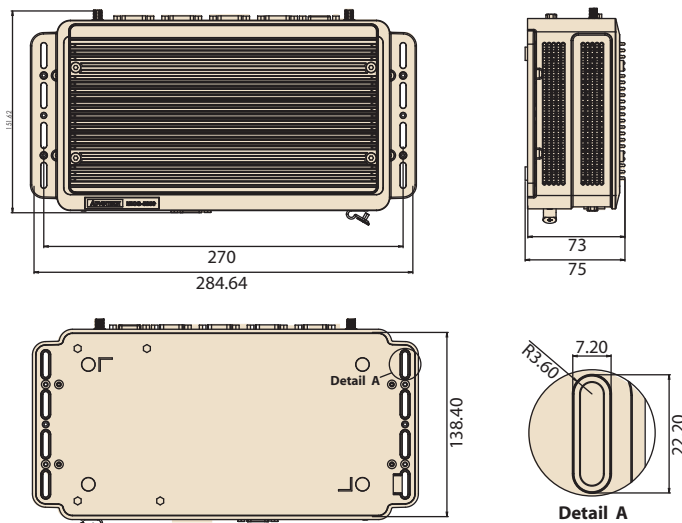


Specifications

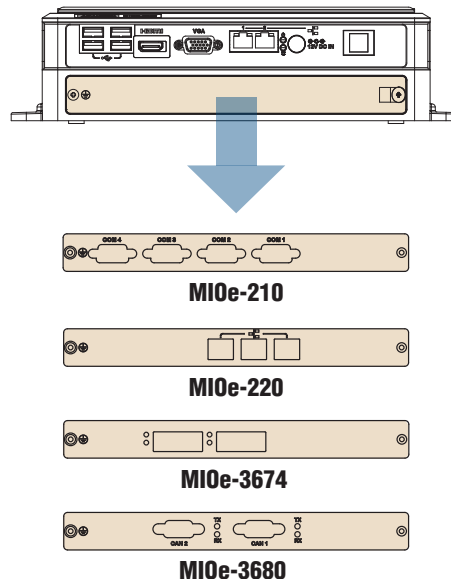
Processor System	CPU	Intel Atom Dual Core N2600 1.6 GHz/D2550 1.86 GHz
	Max. Speed	Dual Core 1.6 GHz/1.86 GHz
	L2 Cache	1 MB
	System Chipset	Intel Atom N2600/D2550 + Intel NM10
Memory	BIOS	AMI EFI 16Mbit
	Technology	DDR3 1066 MHz (D2550), DDR3 800 MHz (N2600)
	Max. Capacity	4 GB
Graphics	Socket	1 x 204-pin SO-DIMM
	Chipset	Intel Atom N2600/D2550
	Graphic Engine	DirectX 9 and OpenGL3.0 support Hardware decode H/W acceleration: MPEG2 H/W Decode/Acceleration: H.264/VC1/WMV9
	VGA	Up to 1920 x 1200
	HDMI	Supports 1920 x 1200, Max data rate: up to 1.65 Gb/s, supports HDMI v1.3 Up to 1080p support
Ethernet	Dual Display	Yes, VGA + HDMI
	GbE1	10/100/1000 Mbps Intel 82583V Ethernet controller, support Wake On Lan
Audio	GbE2	10/100/1000 Mbps Intel 82583V Ethernet controller, support Wake On Lan
	Interface	Realtek ALC892, High Definition Audio. Line-out, Mic-in, Line-in
IO Interface	Serial Ports	4 x RS-232 Ports with ESD protection : Air gap ±15kV, Contact ±8kV
	USB Interface	6 x USB ports, USB 2.0 compliant
Other	Digital IO	8-bits
	Watchdog timer	255 levels timer interval, setup by software
Internal Expansion	Mini PCIe	1 x full size Mini PCIe with SIM holder
Storage	HDD	Supports one drive bay for SATA 2.5" HDD (Compatible with 9mm height HDD)
	mSATA	1 (Support either mSATA or full size miniPCIe, selected by BIOS, default support miniPCIe)
Supported Extension Modules	MIOe-210	4 x RS232/422/485, 2 x RS422/485
	MIOe-220	3 x Intel Gigabit Ethernet
	MIOe-3674	4 x Gigabit Ethernet with PoE ports
	MIOe-3680	2 x CAN Bus
Power Requirements	Power Type	AT/ATX
	Power Input Voltage	24 V _{dc} (Phoenix plug in rear side) / 12 V _{dc} (DC Jack in front side)
	Minimum Power Input	12 V ~ 24 V, 3.0 A ~ 1.5 A
Power Consumption	Typical	15 Watt (with Intel Atom D2550 at 1.8 GHz)
	Max.	18 Watt (with Intel Atom D2550 at 1.8 GHz)
Mechanical	Construction	Plastic Part: PC+ABS (LG5001RFP) Chassis: SECC Bottom Cover: Aluminum Heatsink: Aluminum 6063-T5 Metal Parts: SECC
	Mounting	Din-Rail mounting, Desk/wall-mounting, VESA mounting
	Dimensions (W x H x D)	284.6 x 151.6 x 74.5 mm (11.2" x 5.96" x 2.9")
	Weight	2.3 kg (5.07 lb), with HDD, MIOe-210 and Wifi module inside)
Environment	Operating Temperature	0 ~ 45° C (32 ~ 113° F) with 0.7m/s air flow
	Storage Temperature	- 40 ~ 85° C (- 40 ~ 185° F)
	Relative Humidity	95% @ 40° C (non-condensing)
	Vibration During Operation	With SSD: 3 Grms, IEC 60068-2-64, random, 5 ~ 500 Hz, 1 hr/axis.
	Shock During Operation	With SSD: 10 G, IEC 60068-2-27, half sine, 11 ms duration
	Safety Certifications	CE/FCC Class A, CCC UL, CCC, CB

Dimensions

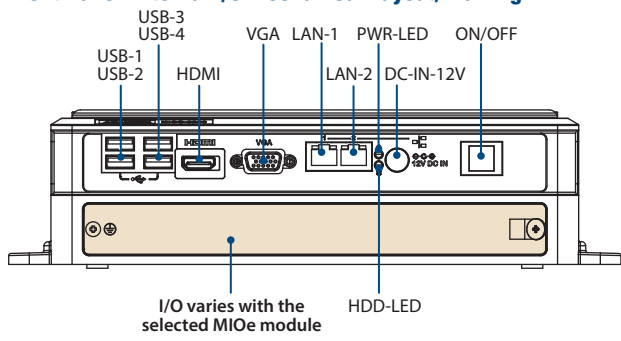
Unit: mm



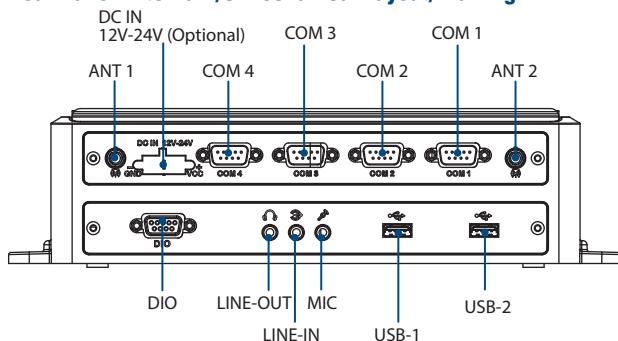
Supported Extension Modules



Front Panel External I/O Mechanical Layout/Drawing



Rear Panel External I/O Mechanical Layout/Drawing



Ordering Information

Part Number	CPU	Memory	VGA&HDMI	GbE	Audio	RS-232	RS-232/422/485	USB 2.0	SATA II	MiniPCIe	Power Connector	Power Supply voltage	Operational Temp.
MIOS-5250NS6-D0A1E	Intel Atom N2600 1.6G	SO-DIMM	Yes	2	Yes	2	2	6	1	1	DC Jack	12V	0 ~ 45° C
MIOS-5250DS8-C0A1E	Intel Atom D2550 1.86G	SO-DIMM	Yes	2	Yes	2	2	6	1	1	Phoenix Type	12V	0 ~ 45° C
MIOS-5250DS8-P0A1E	Intel Atom D2550 1.86G	SO-DIMM	Yes	2	Yes	2	2	6	1	1	Phoenix Type	12V ~ 24V	0 ~ 45° C

Note: RS-232/422/485 port is default RS-232

Packing List

Part Number	Description
-	1 x MIOS-5250 Unit
-	1 x Start-up Manual
-	1 x China RoHS
-	Wrench, screws, thermal pads and stud pack

Embedded OS/API

Embedded OS/API	Part No.	Description
Windows Embedded Standard 7	2070011953	WES7E MIO-5250 V5.1.4 ENG/GER/JPN/TC
Windows Embedded Standard 7	2070011955	WES7P MIO-5250 V5.1.3 EN/TC/SC/RU/FR/DE/ES/IT/JP/KR
Windows Embedded Standard		WES2009 (graphic driver support by case)
Windows Embedded Compact 7	2070012241	WEC7 MIO-5250 V1.0 ENG
VxWorks		6.9.2
Linux		Ubuntu 12.04 (graphic driver support by case)
Software API		iManager 2.0

Optional Items

Part Number	Description
1757003659	AC-to-DC Adapter, DC19 V/3.42 A 65 W, with Phoenix Power Plug, 0 ~ 40° C for Home and Office Use
1757003995	AC-to-DC Adapter, DC 12V/5A 60W, 0 ~ 40° C for Home and Office Use
1757003996	AC-to-DC Adapter, DC 12V/5A 60W, Phoenix Power Plug, 0 ~ 40° C for Home and Office Use
1702002600-01	Power cable 3-pin 183 cm, USA type
1700018704	Power cable 3-pin 180 cm, UK type
1700018705	Power cable 3-pin 183 cm, Europe type
1700000237-01	Power cable 3-pin 183 cm, PSE type
1700001947	Power cable 2-pin 180 cm, USA type (For adapter 1757003659)
1700001948	Power cable 2-pin 180 cm, Europe type (For adapter 1757003659)
1700001949	Power cable 2-pin 180 cm, UK type (For adapter 1757003659)
1700002141	Power cable 2-pin 180 cm, PSE type (For adapter 1757003659)
-	DIN-rail mounting kit
MIOe-210-D6A1E	MIO Extension module, 4 x RS232/422/485, 2 x RS422/485
MIOe-220-B3A1E	MIO Extension module, 3 x Intel® Gigabit Ethernet with PCIe Switch
MIOe-3680-AE	MIO Extension module, 2-Port CAN-Bus MIOe Module with Isolation Protection
MIOe-3674-AE	MIO Extension module, 4-port PoE ports MIOe Module
MIOe-PWR1-00A1E	MIO Extension module, 12-24V DC to DC power module