



Chipsmall Limited consists of a professional team with an average of over 10 year of expertise in the distribution of electronic components. Based in Hongkong, we have already established firm and mutual-benefit business relationships with customers from,Europe,America and south Asia,supplying obsolete and hard-to-find components to meet their specific needs.

With the principle of “Quality Parts,Customers Priority,Honest Operation,and Considerate Service”,our business mainly focus on the distribution of electronic components. Line cards we deal with include Microchip,ALPS,ROHM,Xilinx,Pulse,ON,Everlight and Freescale. Main products comprise IC,Modules,Potentiometer,IC Socket,Relay,Connector.Our parts cover such applications as commercial,industrial, and automotives areas.

We are looking forward to setting up business relationship with you and hope to provide you with the best service and solution. Let us make a better world for our industry!



Contact us

Tel: +86-755-8981 8866 Fax: +86-755-8427 6832

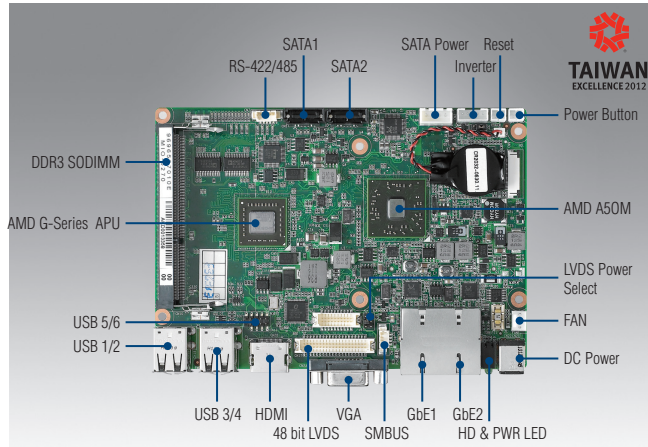
Email & Skype: info@chipsmall.com Web: www.chipsmall.com

Address: A1208, Overseas Decoration Building, #122 Zhenhua RD., Futian, Shenzhen, China



MIO-5270

**AMD® G- Series 3.5" MI/O-Compact SBC,
DDR3, HDMI, 48-bit LVDS, VGA, 2 GbE, CFast,
iManager, MIOe**



iManager susiAccess

Features

- Embedded AMD® G- Series Single Core/ Dual Core APU + AMD A50M FCH, 1 x DDR3 memory up to 4 GB capacity
- DirectX® 11, 2D/3D Acceleration, multiple display: 48-bit LVDS, HDMI, VGA
- Flexible design using integrated multiple I/O:MIOe to approach vertical applications & keep domain knowhow.
- 2 GbE support, HD Audio, Rich I/O interface with 4 COM, 2 SATA, 6 USB and 8-bit GPIO
- Supports iManager, SUSIAccess and Embedded Software APIs

Software APIs:



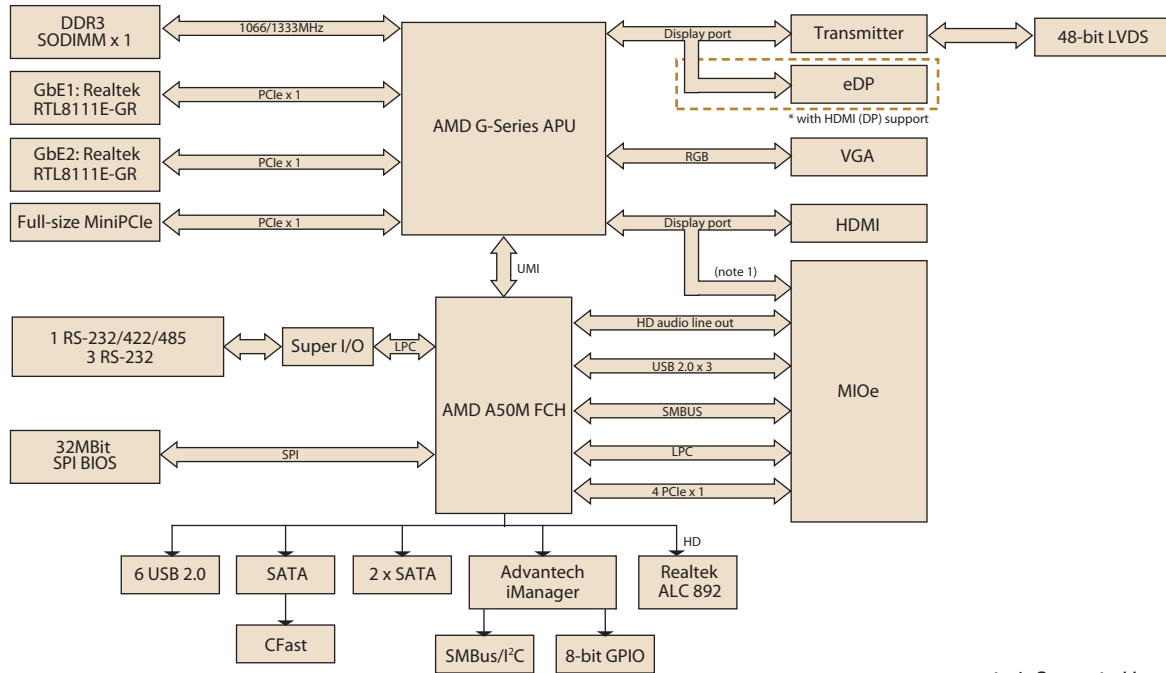
Utilities:



Specifications

Processor System	CPU	AMD G- Series T40R	AMD G-Series T40E	AMD G-Series T56N
	Frequency	1.0GHz (single-core)	1.0GHz (dual-core)	1.65GHz (dual-core)
	L2 Cache	512 KB	512 KB	1 MB
	System Chipset	AMD G-Series APU + A50M FCH		
Memory	BIOS	AMI EFI 32Mbit		
	Technology	DDR3 1066 MHz, 1333MHz only for T56N		
	Max. Capacity	4 GB		
	Socket	1 x 204-pin SODIMM		
Display	Recommended memory	SQR-SD3M-2G1K6SNLB		
	Chipset	AMD Radeon™ HD 6320/6250 (T40E & T40R)		
	Graphic Engine	DirectX® 11 graphics with UVD 3.0		
		2D Acceleration, 3D Acceleration, Motion Video Acceleration, Supports DVD, Blu-ray* Hardware decode (UVD 3):H.264, VC-1 & MPEG2		
	LVDS	Supports single channel 24-bit or dual channel 48-bit LVDS T56N up to 2560 x 1600 at 60 Hz, T40R & T40E up to 1920 x 1200 at 60 Hz (pixel clock rate = 80 MHz)		
	VGA	T56N up to 2560 x 1600, T40R & T40E up to 1920 x 1200		
	HDMI	Supports 1920 x 1080p at 60 Hz, 36 bpp, Supports HDMI 1.3, using TMDS data encoding		
eDP	Option (supported by request)			
	T56N up to 2560 x 1600, T40R & T40E up to 1920 x 1200			
Multi-Display	VGA+LVDS or VGA + HDMI or HDMI + LVDS			
Ethernet	Speed	10/100/1000Mbps		
	Controller	GbE1: Realtek RTL8111E-VB-GR 10/100/1000Mbps, GbE2: Realtek RTL8111E-VB-GR 10/100/1000Mbps		
	Connector	2 RJ45 on Rear I/O		
Audio	Chipset	Realtek ALC892, High Definition Audio (HD),Line-in, Line out, Mic-in		
	Amplifier	Optional via MIOe		
WatchDog Timer		Output System reset, Programmable counter from 1 ~ 255 minutes/ seconds		
Storage	CFast	1		
	mSATA	Supports either mSATA or full size miniPCIe, selected by BIOS, default support miniPCIe		
	SATA	2, up to 3Gb/s (300 MB/s)		
Rear I/O	Ethernet	2		
	VGA	1		
	HDMI	1		
	USB	4 x USB 2.0		
	LED	Power, HDD		
	DC Jack	1 (Supported only on MIO-5270S-S0A1E & MIO-5270D-S0A1E)		
Internal I/O	USB	2 x USB 2.0		
	Serial	3 x RS-232 from COM1/3/4, 1 x RS-232/422/485 from COM2 with auto flow control (ESD protection for RS-232: Air gap ±15kV, Contact ±8kV)		
	I²C	1 (Shares with SMBus pin)		
	SMBus	1		
	GPIO	8-bit general purpose input/output		
Expansion	MiniPCIe	1 x Full-size		
	MIOe	SMBus, 3 x USB2.0, LPC, 4 x PCIe x1, line out, DisplayPort (optional), +5 Vsb/+12 Vsb power, Power On, Rest		
Power	Power Type	Single 12V DC power input		
	Power Supply Voltage	Supports single 12V input, ± 10%		
	Power Consumption (Typical)	MIO-5270S-S0A1E	0.59 A @ 12 V (7.08 W)	
		MIO-5270D-S0A1E	0.53 A @ 12 V (6.36 W)	
		MIO-5270D-S6A1E	0.65 A @ 12 V (7.8 W)	
	Power Consumption (Max, test in HCT)	MIO-5270S-S0A1E	0.8 A @ 12 V (9.6 W)	
		MIO-5270D-S0A1E	0.82 A @ 12 V (9.84 W)	
MIO-5270D-S6A1E		1.35 A @ 12 V (16.2 W)		
Power Management	ACPI			
Battery	Lithium 3 V / 210 mAh			
Environment	Operational	0 ~ 60° C (32 ~ 140° F) (Operational humidity: 40° C @ 95% RH Non-Condensing)		
	Non-Operational	-40° C ~ 85° C and 60° C @ 95% RH Non-Condensing		
Physical Characteristics	Dimensions (L x W)	146 x 102 mm (5.7" x 4"), same as 3.5"		
	Weight	0.78 kg (1.72 lb), weight of total package		
	Total Height	34.5 mm		

Block Diagram



note 1: Supported by request

Ordering Information

Part No.	CPU	L2 Cache	Memory	LVDS	VGA & HDMI	GbE	Audio	RS-232/422/485	RS-232	USB 2.0	SATA	CFast	Mini PCIe	MIOe	Power Connector	Thermal Solution	Operational Temp.
MIO-5270S-S0A1E	AMD T40R 1.0G SC	512 KB	SO-DIMM	48-bit	Yes	2	Yes	1	3	6	2	1	1	Yes	DC Jack	Passive	0 - 60° C
MIO-5270D-S0A1E	AMD T40E 1.0G DC	512 KB	SO-DIMM	48-bit	Yes	2	Yes	1	3	6	2	1	1	Yes	DC Jack	Passive	0 - 60° C
MIO-5270D-S6A1E	AMD T56N 1.65G DC	1 MB	SO-DIMM	48-bit	Yes	2	Yes	1	3	6	2	1	1	Yes	2x2 type	Active	0 - 60° C
MIO-5270DZ-2GS0A1E	AMD T40E 1.0G DC	512 KB	2GB bundle	48-bit	Yes	2	Yes	1	3	6	2	1	1	Yes	DC Jack	Passive	-20 - 80° C
MIO-5270DZ2GS0A1E	AMD T40E 1.0G DC	512 KB	2GB bundle	48-bit	Yes	2	Yes	1	3	6	2	1	1	Yes	DC Jack	Passive	-40 - 85° C

Note: Passive = fanless; Active = with fan

Note: Wide temperature range version has been bundled with industrial-grade memory module.

Packing List

Part No.	Description	Quantity
	MIO-5270 SBC	
	Startup Manual	
	Utility CD	
1700006291	SATA1 cable 7P/ 7P 30cm C=R 180/90	1
1700018785	SATA Power Cable 35cm	1
1700019435	COM1 RS-485 D-SUB 9P (M)/1*5P 1.25 25cm cable	1
1701200220	COM RS232 Cable 2*10P-2.0/D-SUB 9P (M)*2 22CM	2
1700019584	Audio Cable 2*5P-2.0/ JACK*3 20cm	1
9689000002	mini Jumper pack	1
1960053507N001	Heatsink (137 x 84 x 25 mm) for T40R/ T40E series	
1960053508N001	Cooler (137 x 84 x 25 mm) for T56N series	

Optional Accessories

Part No.	Description
1960054266T001	Heat spreader for MIO-5270 (137 x 84.2 x 16.7mm)
1700006291	SATA2 cable 7P/ 7P 30cm C=R 180/90
1703100260	Internal USB cable
1757003934	Adaptor 100-240V 60W 12V 5A W/O PFC

Embedded OS/API

Embedded OS/API	Description
2070010844	WES2009 MIO-5270 V4.0 24MUI
2070010845	WES7E SP1 MIO-5270 V5.1 ENG
Linux	Ubuntu 12.04
Software API	iManager 2.0

Rear I/O View



MIO-5270S-S0A1E
MIO-5270D-S0A1E



MIO-5270D-S6A1E