



Chipsmall Limited consists of a professional team with an average of over 10 year of expertise in the distribution of electronic components. Based in Hongkong, we have already established firm and mutual-benefit business relationships with customers from,Europe,America and south Asia,supplying obsolete and hard-to-find components to meet their specific needs.

With the principle of “Quality Parts,Customers Priority,Honest Operation,and Considerate Service”,our business mainly focus on the distribution of electronic components. Line cards we deal with include Microchip,ALPS,ROHM,Xilinx,Pulse,ON,Everlight and Freescale. Main products comprise IC,Modules,Potentiometer,IC Socket,Relay,Connector.Our parts cover such applications as commercial,industrial, and automotives areas.

We are looking forward to setting up business relationship with you and hope to provide you with the best service and solution. Let us make a better world for our industry!



Contact us

Tel: +86-755-8981 8866 Fax: +86-755-8427 6832

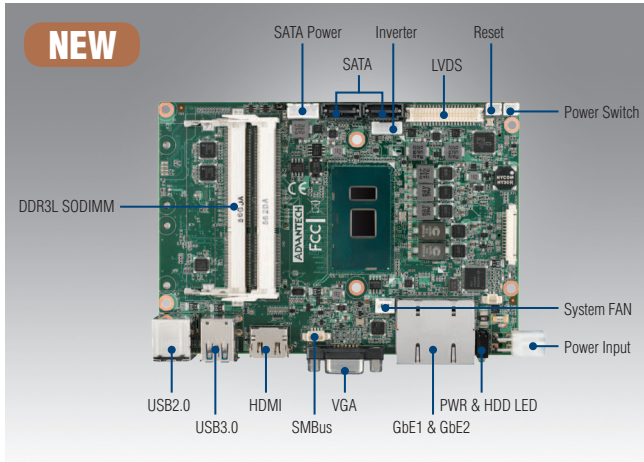
Email & Skype: info@chipsmall.com Web: www.chipsmall.com

Address: A1208, Overseas Decoration Building, #122 Zhenhua RD., Futian, Shenzhen, China



MIO-5272

6th Gen Intel® Core™ U-series (i7/i5/i3/Celeron®*), 3.5" MI/O-Compact SBC, DDR3L, VGA, HDMI, 48-bit LVDS, 2 GbE, 2 Mini PCIe, mSATA, Fanless, MIOe



WISE-PaaS/RMM CE FCC

Features

- 6th Gen Intel® Core™ U-series (i7/i5/i3/Celeron®*), 2 x DDR3L-1600/1333 SODIMM support up to 16 GB
- DirectX 11.3, OpenGL 4.4, OpenCL 2.1, 3 independent displays: VGA + LVDS + HDMI
- Flexible design using integrated multiple I/Os: MIOe to approach vertical applications & keep domain knowhow.
- 2 GbE support, HD Audio, Rich I/O interface with 2 COM, 2 SATA, SMBus/I²C, GPIO, 2 Full-size Mini PCIe (one w/ mSATA), 4 USB 2.0, 2 USB 3.0 and TPM2.0*
- Supports Intel AMT11.0, WISE-PaaS/RMM and Embedded Software APIs

Software APIs:



Utilities:

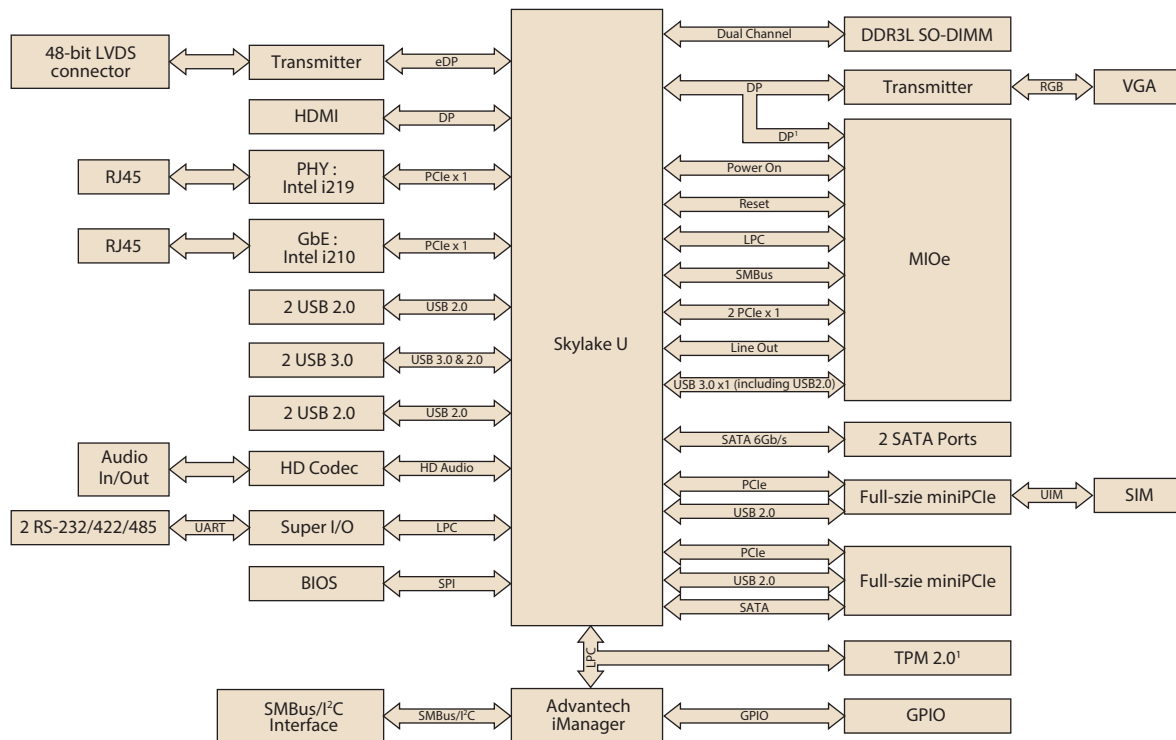


Specifications

		Intel Core i7 6600U	Intel Core i5 6300U	Intel Core i3 6100U	Intel Celeron 3955U*
Processor System	CPU	Intel Core i7 6600U	Intel Core i5 6300U	Intel Core i3 6100U	Intel Celeron 3955U*
	Base Frequency	2.6 GHz (Dual-Core)	2.4 GHz (Dual-Core)	2.3 GHz (Dual-Core)	2.0 GHz (Dual-Core)
	Max Turbo Frequency	3.4 GHz	3.0 GHz	-	-
	L3 Cache	4MB	3MB	3MB	2MB
	BIOS	AMI UEFI 128 Mbit			
Memory	Technology	DDR3L 1600 MHz			
	Max. Capacity	16 GB			
	Socket	2 x 204-pin SODIMM			
Display	Controller	Intel HD Graphics 520 / Intel HD Graphics 510 (Celeron)			
	Processor Graphics	DirectX 11.3, OpenGL 4.4, and OpenCL 2.1 Full AVC/VC1/MPEG2 HW Decode			
	VGA	1920 x 1200 @ 60Hz or 2048 x 1152 @ 60Hz with reduced blanking			
	LVDS	LVDS with 3.3V, 5V and 12V on LCD VDD power, 5V and 12V support on LVDS inverter Dual channel 24-bit LVDS, max resolution up to 1920 x 1200 at 60Hz			
	HDMI	Supports HDMI 1.4 for HD Video playback Max resolution up to 4096 x 2160 at 24 Hz			
	Multi-Display	VGA + HDMI, VGA + LVDS, HDMI + LVDS, VGA + HDMI + LVDS			
Ethernet	Speed	10/100/1000Mbps			
	Controller	GbE1: Intel i219, GbE2: Intel i210			
	Connector	2 RJ45 on Rear I/O			
Audio	Codec	High Definition Audio (HD), Line-in, Line out, Mic-in			
	Amplifier	Optional via MIOe			
WatchDog Timer		Output System reset, Programmable counter from 1 ~ 255 minutes/ seconds			
Storage	SATA	2, up to 6.0 Gb/s (600 MB/s)			
	mSATA	1 x Full-size (support either mSATA or miniPCIe)			
Rear I/O	Ethernet	2			
	VGA	1			
	HDMI	1			
	USB 2.0	2			
	USB 3.0	2			
	LED	Power, HDD			
	DC Jack*	1			
Internal I/O	Serial	2 x RS-232/422/485 with auto flow control (ESD protection: Air gap ±15kV, Contact ±8kV)			
	USB	2			
	I ² C	1 (Shares with SMBus pin)			
	SMBus	1			
	GPIO	8-bit general purpose input/output			
Security	TPM2.0*	Support by request			
Expansion	Mini PCIe	2 x Full-size (One with SIM card holder. Another one with mSATA support, default support mSATA)			
	MIOe	Displayport*, SMBus, USB3.0, LPC, 2 x PCIe x1, line out, +5 Vsb/+12 Vsb power, Power On, Reset			
Power	Power Type	Single 12V DC power input			
	Power Supply Voltage	Supports single 12V input, ± 10%			
	Power Consumption (Typical)	i7 6600U: 6.46 W, i5 6300U: 5.26 W, i3 6100U: 5.02 W, Celeron 3955U: 4.88 W			
	Power Consumption (Max)	i7 6600U: 22.03 W, i5 6300U: 20.87 W, i3 6100U: 20.45 W, Celeron 3955U: 17.81 W			
	Power Management	ACPI			
	Battery	Lithium 3 V / 210 mAh			
Environment	Operating	0 ~ 60 °C (32 ~ 140 °F) (Operating humidity: 40 °C @ 95% RH Non-Condensing)			
	Non-Operating	-40 °C ~ 85 °C and 60 °C @ 95% RH Non-Condensing			
Physical Characteristics	Dimensions (L x W)	146 x 102 mm (5.7" x 4"), same as 3.5"			
	Weight	0.67kg, weight of total package			
	Height	Top Side: 16.5 mm; Bottom Side: 7.8 mm; PCB: 2.0 mm			

* Supported by request; please contact Advantech if this function is needed.

Block Diagram



¹ Supported by request

Ordering Information

Part No.	CPU ¹	L3 Cache	Memory	LVDS	VGA	HDMI	GbE	HD Audio	RS-232/422/485	USB 3.0	USB 2.0	SATAIII	Full-size Mini PCIe ²	MIOe	Power connector ³	Thermal Solution	Operating Temp.
MIO-5272U-U6A1E	Intel i7 6600U 2.6GHz 15W	4MB	SODIMM	48-bit	Yes	Yes	2	1	2	2	4	2	2	1	2x2 pin	Passive	0 ~ 60 °C
MIO-5272U-U4A1E	Intel i5 6300U 2.4GHz 15W	3MB	SODIMM	48-bit	Yes	Yes	2	1	2	2	4	2	2	1	2x2 pin	Passive	0 ~ 60 °C
MIO-5272U-U3A1E	Intel i3 6100U 2.3GHz 15W	3MB	SODIMM	48-bit	Yes	Yes	2	1	2	2	4	2	2	1	2x2 pin	Passive	0 ~ 60 °C
MIO-5272Z-U6A1E	Intel i7 6600U 2.6GHz 15W	4MB	SODIMM	48-bit	Yes	Yes	2	1	2	2	4	2	2	1	2x2 pin	Passive	-40 ~ 85° C
MIO-5272Z-U4A1E	Intel i5 6300U 2.4GHz 15W	3MB	SODIMM	48-bit	Yes	Yes	2	1	2	2	4	2	2	1	2x2 pin	Passive	-40 ~ 85° C
MIO-5272Z-U4A1E	Intel i5 6300U 2.4GHz 15W	3MB	SODIMM	48-bit	Yes	Yes	2	1	2	2	4	2	2	1	2x2 pin	Passive	-20 ~ 80° C

¹ Intel Celeron 3955U is supported by request

² One Mini PCIe default support mSATA

³ DC jack is supported by request

Packing List

Part No.	Description	Quantity
MIO-5272	SBC	1
2006527200	Startup Manual	1
1700006291	M Cable SATA 7P/SATA 7P 30cm C=R 180/90	1
1700018785	SATA 35cm power cable	1
1701200220	COM RS-232 Cable 2*10P-2.0/D-SUB 9P (M)*2 22CM	1
1700019584	Audio Cable 2*5P-2.0/JACK*3 20cm	1
9689000002	Mini Jumper pack	1
1960068763T001	Heatsink (145 x 84 x 24 mm) for MIO-5272	1
1960072272T001	Heatsink (145.4 x 84.2 x 34 mm) for MIO-5272Z/Z2 only	1

Optional Accessories

Part No.	Description
1960074236N001	Heat spreader (145 x 84 x 16 mm) for MIO-5272
1700002172	Internal 2 ports USB cable 17CM

Embedded OS/API

Embedded OS/API	Part No.	Description
Windows Embedded 7 Standard	2070014274	img WES7E MIO-5272 x64 V5.7.0 EN/JP/TC/SC
VxWorks		7.0 (TBD)
Linux		Ubuntu 15.10
Software API		SUSI 4.0

Rear I/O View

