



Chipsmall Limited consists of a professional team with an average of over 10 year of expertise in the distribution of electronic components. Based in Hongkong, we have already established firm and mutual-benefit business relationships with customers from,Europe,America and south Asia,supplying obsolete and hard-to-find components to meet their specific needs.

With the principle of “Quality Parts,Customers Priority,Honest Operation,and Considerate Service”,our business mainly focus on the distribution of electronic components. Line cards we deal with include Microchip,ALPS,ROHM,Xilinx,Pulse,ON,Everlight and Freescale. Main products comprise IC,Modules,Potentiometer,IC Socket,Relay,Connector.Our parts cover such applications as commercial,industrial, and automotives areas.

We are looking forward to setting up business relationship with you and hope to provide you with the best service and solution. Let us make a better world for our industry!



Contact us

Tel: +86-755-8981 8866 Fax: +86-755-8427 6832

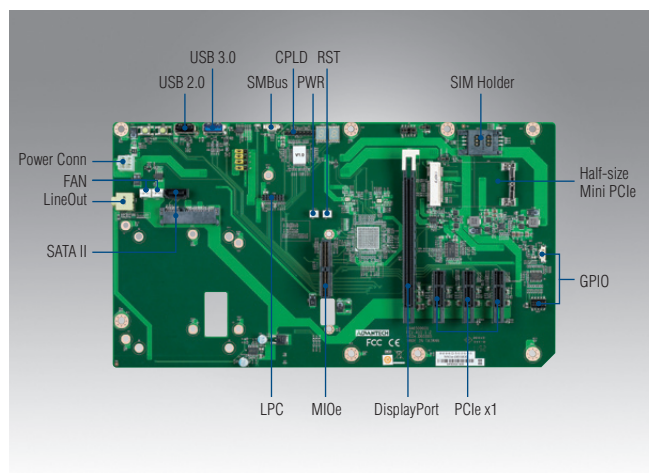
Email & Skype: info@chipsmall.com Web: www.chipsmall.com

Address: A1208, Overseas Decoration Building, #122 Zhenhua RD., Futian, Shenzhen, China



MIOe-DB5000

MIOe Evaluation Board for
MI/O-Compact and MI/O-Ultra SBC



CE FCC

Features

- Supports both of MI/O-Compact SBC and MI/O-Ultra SBC
- Compatible with MIOe, evaluation board for flexible interface verification
- Interface: 1 x DP, 3 x PCIe, 1 x miniPCIe, 1 x SIM holder, 1 x USB 3.0, 1 x USB 2.0, 1 x LPC, 1 x SMBus, 1 x LineOut with amplifier, 1 x SATA with power, 2 x System FAN, +12V Power in

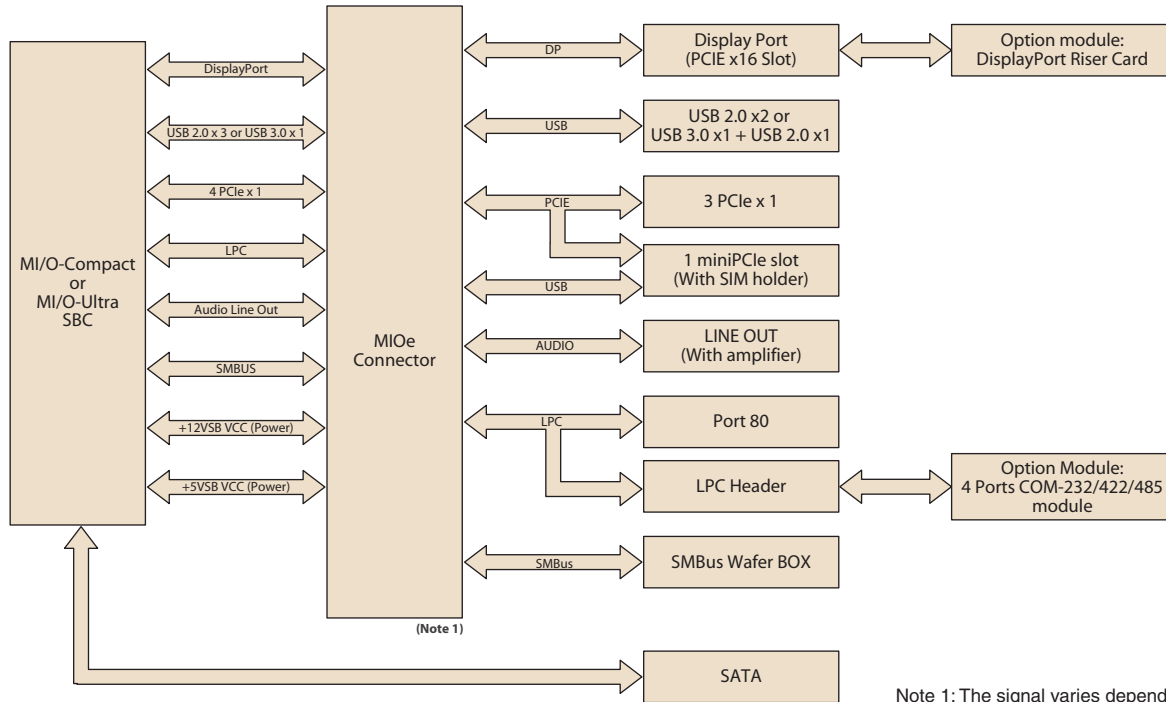
Specifications

Form Factor		ATX
Compatible Models		Advantech MI/O-Compact (146 x 102 mm), MI/O-Ultra (100 x 72 mm)
Expansion	DisplayPort	1 (only can evaluate with the 1st port of DisplayPort Riser Card)
	PCIe x1 slot	3 (MIOe-DB5000-01A1E has only two ports)
	MIOe connector	1
	SIM card Holder	1
	Full-size Mini PCIe	1
I/O	SATA with Power	1 (connect to 2.5 HDD)
	LPC	1 (evaluate by using 4 ports RS-232/422/485 Module)
	USB 2.0	1
	USB 3.0	1*
	LineOut	1 (with amplifier AMP LM4863)
	System FAN	2
Power	SMBus	1
	Independent Power voltage	Single +12V DC in (2x2 power connector is only for external power input)
Environment	Operating Temperature	0 ~ 60° C (32 ~ 140° F)
	Operating Humidity	0% ~ 90% relative humidity, non-condensing
Mechanical	Dimensions	304.8 x 170 mm (12" x 6.69")

* For USB 3.0 to work depends on if MI/O SBC supports USB 3.0 or not

PS: Pinout functions depend on SBC platform chipset

Block Diagram



Note 1: The signal varies depending on MIO-Compact or MIO-Ultra SBC

Ordering Information

Part No.	DisplayPort	PCIe x1	MIOe	Full-size Mini PCIe	SIM holder	SATA II	LPC	SMBus	USB 2.0	USB 3.0	Audio	System Fan	Power Conn
MIOe-DB5000-00A1E	1*	3	1	1	1	1	1	1	1	1***	1	1	2x2
MIOe-DB5000-01A1E	1*	2**	1	1**	1	1	1	1	1	1***	1	1	2x2

* The DisplayPort Riser Card has both HDMI and DisplayPort. Each can be supported individually by signal setting on the MIO main board.

** MIOe-DB5000-01A1E has 2 PCIe x1 and 1 Mini PCIe.

*** For USB 3.0 to work depends on if the MIO mainboard supports USB 3.0 or not. If the bundled MIO main board doesn't support USB 3.0 explicitly, the USB connector supports USB 2.0 only.

Packing List

Part No.	Description	Quantity
-	MIOe-DB5000 development board	1
1700020235-01	Reset/Power button cable	2

Optional Accessories

Part No.	Description
9696EA2000E	DisplayPort Riser Card
PCA-COM232-00A1E	4 ports RS-232 Module*
PCA-COM485-00A1E	4 ports RS-422/485 Module*

* Supported by request