



Chipsmall Limited consists of a professional team with an average of over 10 year of expertise in the distribution of electronic components. Based in Hongkong, we have already established firm and mutual-benefit business relationships with customers from,Europe,America and south Asia,supplying obsolete and hard-to-find components to meet their specific needs.

With the principle of “Quality Parts,Customers Priority,Honest Operation,and Considerate Service”,our business mainly focus on the distribution of electronic components. Line cards we deal with include Microchip,ALPS,ROHM,Xilinx,Pulse,ON,Everlight and Freescale. Main products comprise IC,Modules,Potentiometer,IC Socket,Relay,Connector.Our parts cover such applications as commercial,industrial, and automotives areas.

We are looking forward to setting up business relationship with you and hope to provide you with the best service and solution. Let us make a better world for our industry!



Contact us

Tel: +86-755-8981 8866 Fax: +86-755-8427 6832

Email & Skype: info@chipsmall.com Web: www.chipsmall.com

Address: A1208, Overseas Decoration Building, #122 Zhenhua RD., Futian, Shenzhen, China



METAL INDENTING WHEEL INSTALLATION INSTRUCTIONS

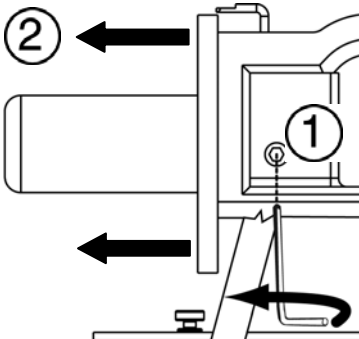
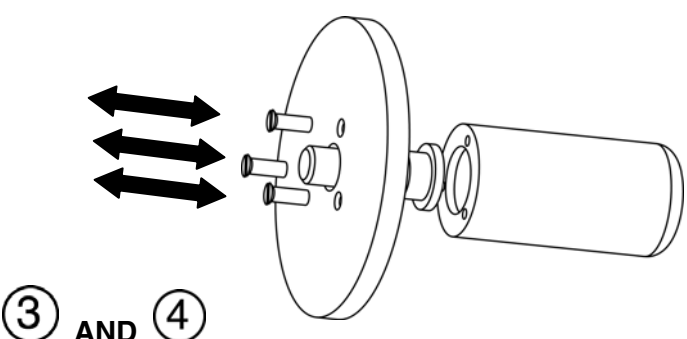
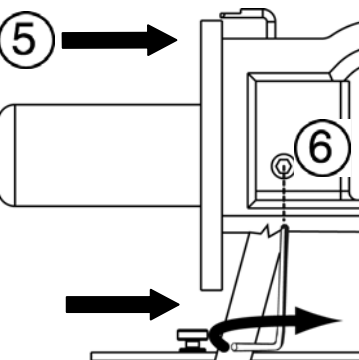

© Panduit Corp. 2006

MIW – Metal Intending Wheels (used with MIM094, MIM125 or MIM187 Metal Indenting Machines)

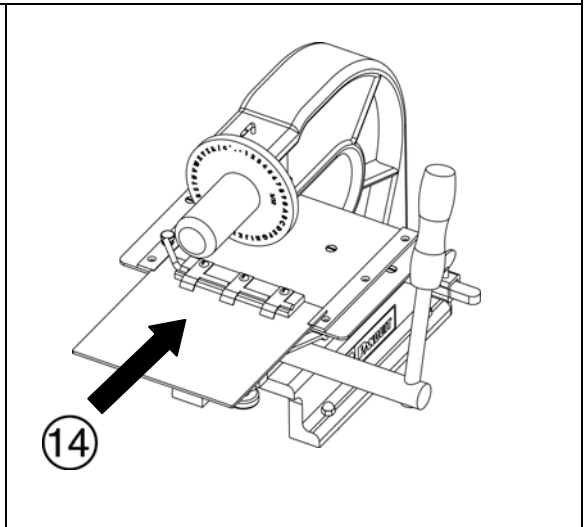
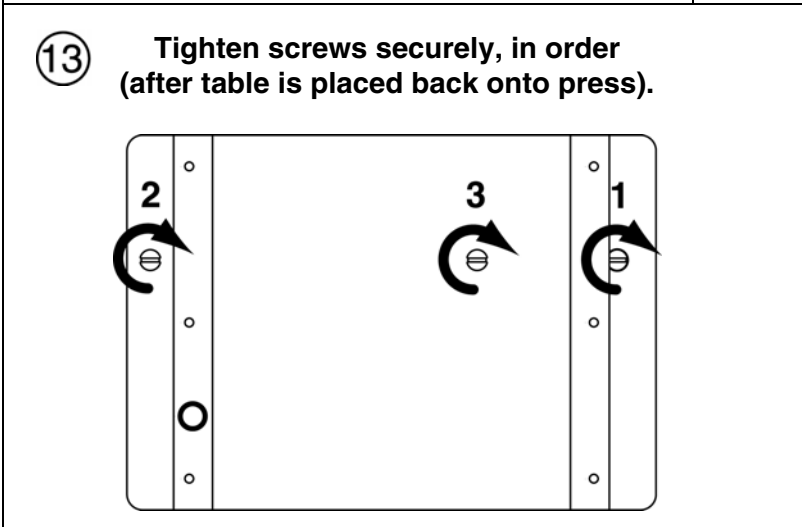
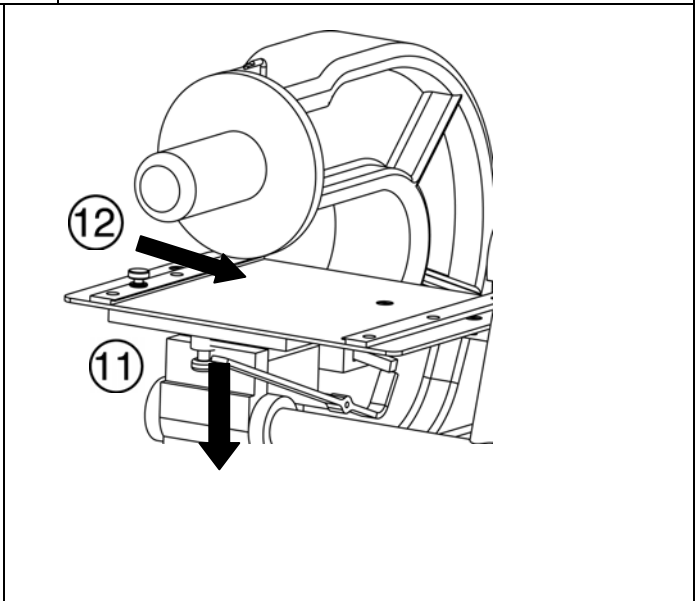
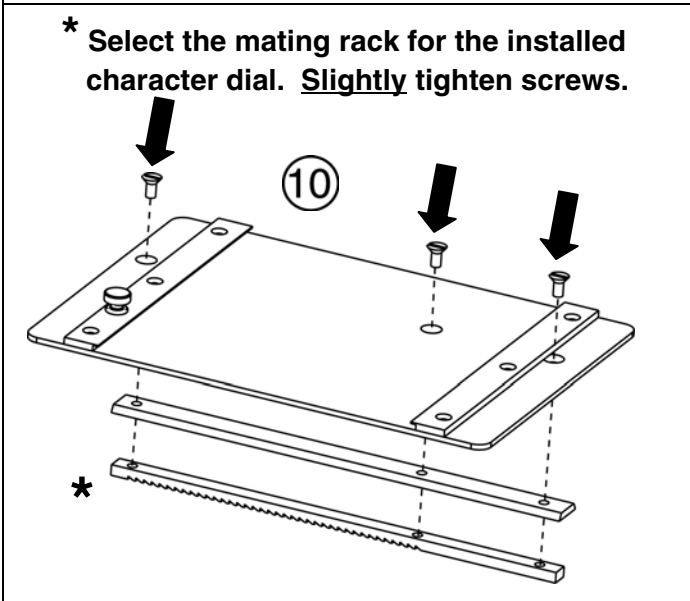
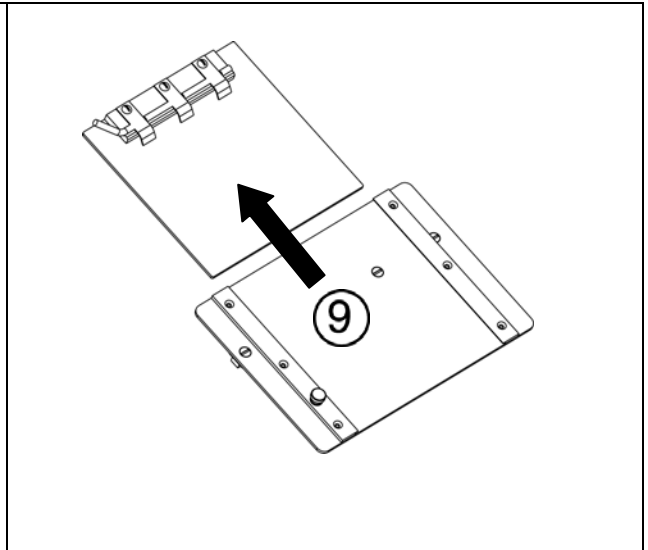
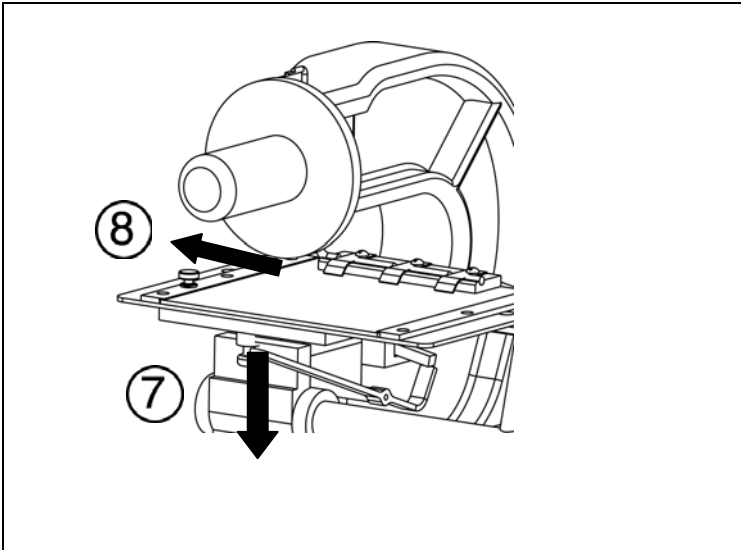
- MIW094 - 3/32" (2.38mm) character wheel kit
- MIW125 - 1/8" (3.18mm) character wheel kit
- MIW187 - 3/16" (4.77mm) character wheel kit

❖ MIW Wheel Kits include: Indenting Wheel, Spacer Rack and three (3) Screws

CHANGING METAL INDENTING WHEEL (CHARACTER DIAL), SPACING RACK REMOVAL / INSTALLATION

	<p>Choose desired character dial and re-install.</p> 
	<p> DO NOT OVERTIGHTEN SET SCREW</p> <p>The character dial should turn easily, but should not have forward or backward play.</p>

Website: www.panduit.com
E-mail: cs@panduit.com



Resume operation.