



Chipsmall Limited consists of a professional team with an average of over 10 year of expertise in the distribution of electronic components. Based in Hongkong, we have already established firm and mutual-benefit business relationships with customers from,Europe,America and south Asia,supplying obsolete and hard-to-find components to meet their specific needs.

With the principle of “Quality Parts,Customers Priority,Honest Operation,and Considerate Service”,our business mainly focus on the distribution of electronic components. Line cards we deal with include Microchip,ALPS,ROHM,Xilinx,Pulse,ON,Everlight and Freescale. Main products comprise IC,Modules,Potentiometer,IC Socket,Relay,Connector.Our parts cover such applications as commercial,industrial, and automotives areas.

We are looking forward to setting up business relationship with you and hope to provide you with the best service and solution. Let us make a better world for our industry!



Contact us

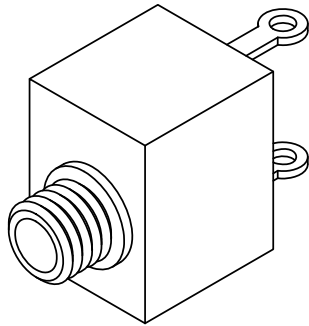
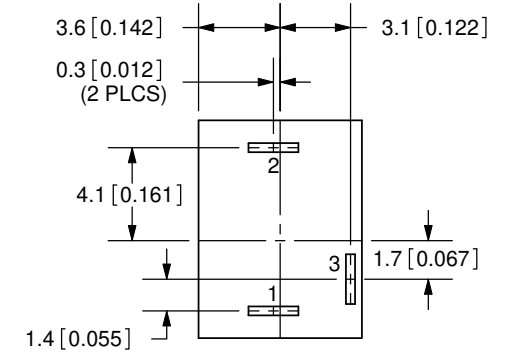
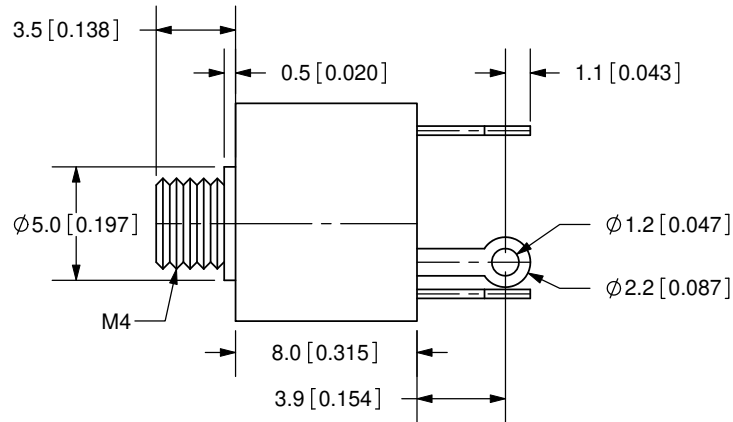
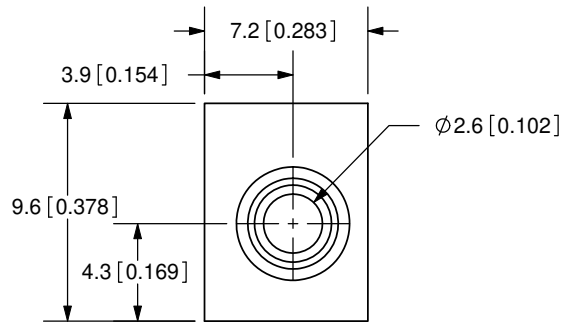
Tel: +86-755-8981 8866 Fax: +86-755-8427 6832

Email & Skype: info@chipsmall.com Web: www.chipsmall.com

Address: A1208, Overseas Decoration Building, #122 Zhenhua RD., Futian, Shenzhen, China



REV.	DESCRIPTION	DATE
A	NEW DRAWING	7/19/2006
B	Added dimensions	4/27/2007



TOLERANCE:
±0.3mm UNLESS OTHERWISE
SPECIFIED



SPECIFICATIONS:
 RATING: 12V DC @ 1A
 INSULATION RESISTANCE: 50M OHMS MIN: 500V DC
 VOLTAGE WITHSTAND: 250V AC R.M.S. FOR 1 MINUTE
 LIFE: 10,000 CYCLES
 OPERATING TEMP: -10° ~ +70°C



20050 SW 112th Ave.
 Tualatin, OR 97062
 Phone: 503-612-2300
 800-275-4899
 Fax: 503-612-2383
 Website: www.cui.com

MODEL NO.	MJ-2505
SCHEMATIC	

	MATERIAL	PLATING
METAL	Brass	Nickel
TERMINAL 1	Brass	Silver
TERMINAL 2	Brass	Silver
TERMINAL 3	Brass	Silver
SPRING	Steel	
HOUSING	PC	

TITLE: 2.5mm AUDIO JACK - MONO	REV: B
PART NO. MJ-2505	UNITS: MM [INCHES]
DRAWN BY: ZRJ	APPROVED BY:
	SCALE: 3:1

PC FILE NAME:
MJ-2505

COPYRIGHT 2009 BY CUI INC.