



Chipsmall Limited consists of a professional team with an average of over 10 year of expertise in the distribution of electronic components. Based in Hongkong, we have already established firm and mutual-benefit business relationships with customers from,Europe,America and south Asia,supplying obsolete and hard-to-find components to meet their specific needs.

With the principle of “Quality Parts,Customers Priority,Honest Operation,and Considerate Service”,our business mainly focus on the distribution of electronic components. Line cards we deal with include Microchip,ALPS,ROHM,Xilinx,Pulse,ON,Everlight and Freescale. Main products comprise IC,Modules,Potentiometer,IC Socket,Relay,Connector.Our parts cover such applications as commercial,industrial, and automotives areas.

We are looking forward to setting up business relationship with you and hope to provide you with the best service and solution. Let us make a better world for our industry!



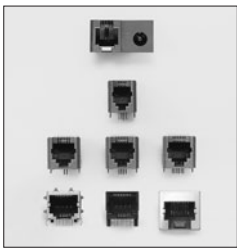
Contact us

Tel: +86-755-8981 8866 Fax: +86-755-8427 6832

Email & Skype: info@chipsmall.com Web: www.chipsmall.com

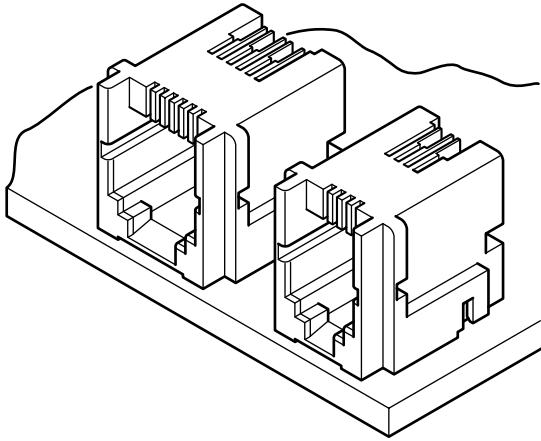
Address: A1208, Overseas Decoration Building, #122 Zhenhua RD., Futian, Shenzhen, China





MJ CONNECTOR

Modular jack connectors



- Upper contact point
- Metal hook
- Shielding effect
- Grounding
- Correspond to high-speed LAN transmission (MJ-88U-SD315K-T)

Specifications

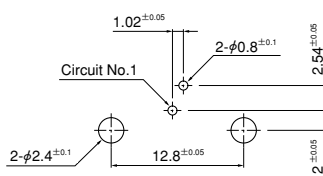
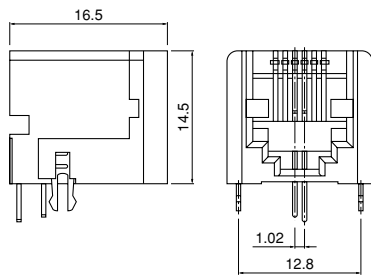
- Current rating: 1.3A AC, DC
 - Voltage rating: 250V AC, DC
 - Temperature range: -40°C to +80°C
(including temperature rise in applying electrical current)
 - Contact resistance: Initial value/20m Ω max.
After environmental testing/40m Ω max.
 - Insulation resistance: 1,000M Ω min.
 - Withstanding voltage: 1,000V AC/minute
 - Applicable PC board thickness: 1.6mm
2.4mm (8 circuits straight type)
- * Compliant with RoHS.
* Refer to "General Instruction and Notice when using Terminals and Connectors" at the end of this catalog.
* Contact JST for details.

Standards

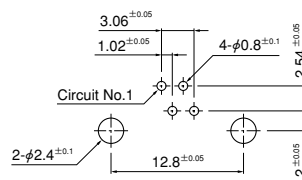
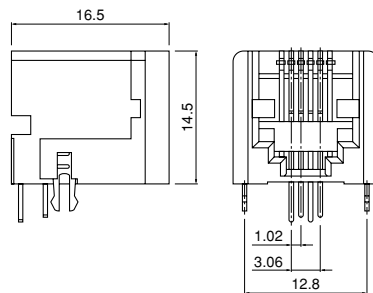
- Ⓜ Recognized E174260
- Ⓢ Certified LR20812
Conforms to FCC Standards
(6 circuits and 8 circuits MJ connector)

Connector

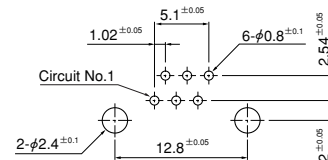
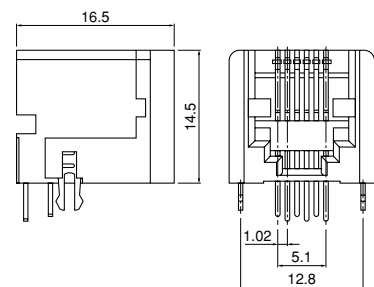
Normal type 2/6 type



4/6 type



6/6 type



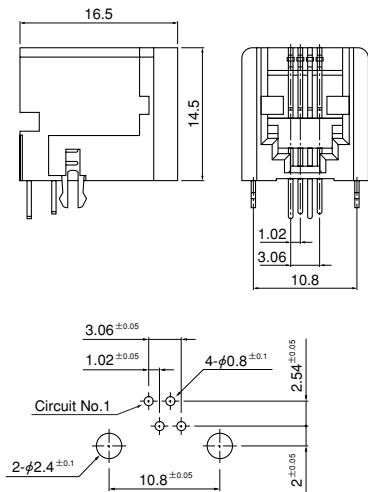
Note: 1. Tolerances are non-cumulative: ±0.05mm for all centers.

2. Hole dimensions differ according to the kind of PC board and piercing method. The dimensions above should serve as a guideline. Contact JST for details.

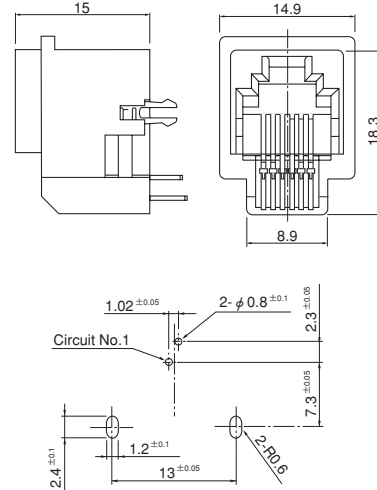
MJ CONNECTOR

Connector and PC board layout (viewed from component side)

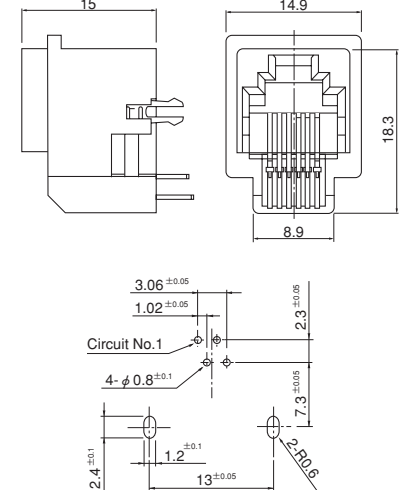
**Normal type
4/4 type**



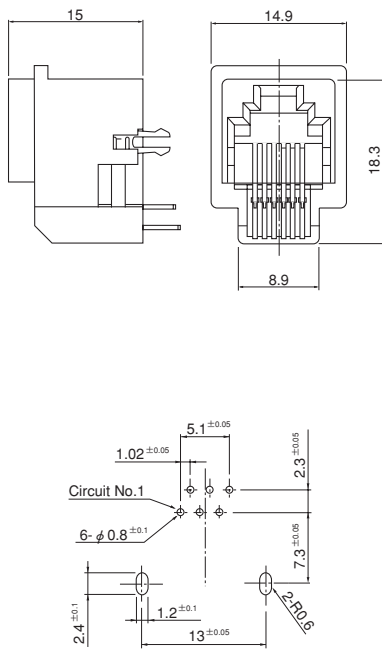
**Straight type
2/6 type**



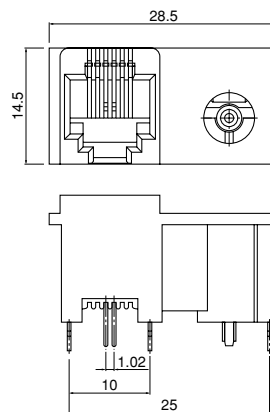
4/6 type



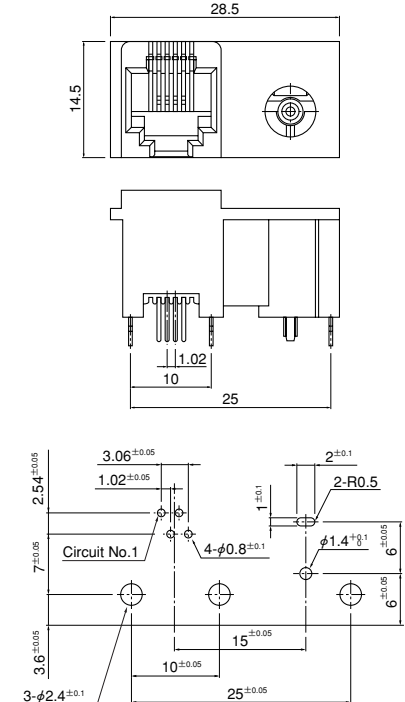
6/6 type



2/6 type with DC jack



4/6 type with DC jack



Type	Circuits	Model No.	Q'ty / box
Normal type	2/6	MJ-62J-RD315	270
	4/6	MJ-64J-RD315	270
	6/6	MJ-66J-RD315	270
	4/4	MJ-44J-RD315	306
Straight type	2/6	MJ-62C-SD335	180
	4/6	MJ-64C-SD335	180
	6/6	MJ-66C-SD335	180
	2/6 with DC jack	MJ-62D-SD335	108
	4/6 with DC jack	MJ-64D-SD335	108

Material and Finish

Contact: Normal type/ Phosphor bronze, nickel-undercoated,
Mating part; gold-plated 1.27μm min.
Solder tail; tin-plated (reflow treatment)
Straight type/ Phosphor bronze, nickel-undercoated,
Mating part; gold-plated 1.27μm min.
Overall; gold-plated (flash)

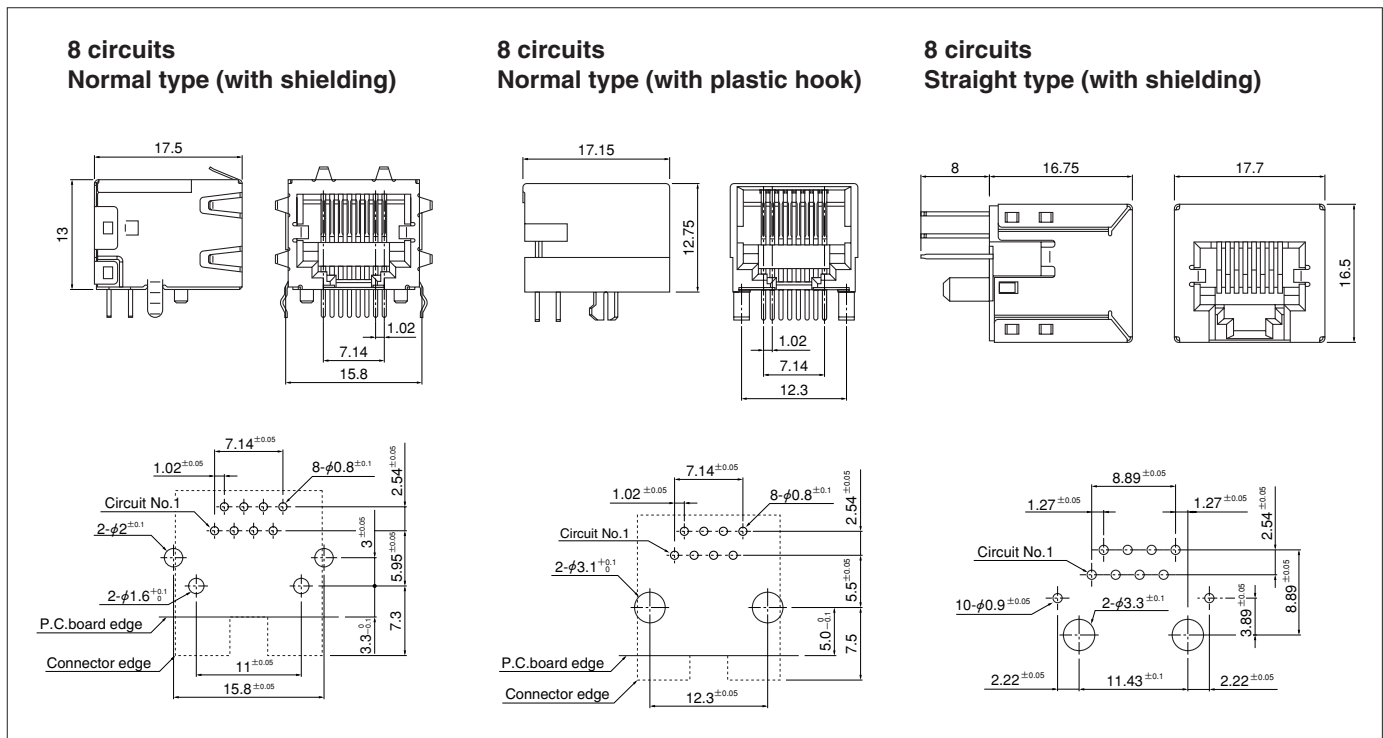
Housing: Glass-filled PBT, UL94V-0
Hook pin: Brass, tin-plated (reflow treatment)
Moving contact (spring): Copper alloy, tin-plated (reflow treatment) [with-DC-jack type only]
Stationary contact (pin): Brass, nickel-undercoated, tin/copper alloy-plated [with-DC-jack type only]

Note: 1. Tolerances are non-cumulative: ±0.05mm for all centers.
2. Hole dimensions differ according to the kind of PC board and piercing method.
The dimensions above should serve as a guideline. Contact JST for details.

RoHS compliance This product displays (LF)(SN) on a label.
The product with DC jack displays (LF) on a label.

MJ CONNECTOR

Connector and PC board layout (viewed from component side)



Type	Circuits	Model No.	Q'ty / box
Normal type (with shielding)	8	MJ-88H-RD315K	520
Normal type (with plastic hook)	8	MJ-88R-RD315K	520
Straight type (with shielding)	8	MJ-88U-SD315K-T	144

Material and Finish

Contact: Phosphor bronze, nickel-undercoated,
Mating part: gold-plated 1.27 μ m min.
Solder tail: tin-plated (reflow treatment)
Housing: Glass-filled PBT, UL94V-0(Normal type)
Glass-filled LCP, UL94V-0(Straight type)
Shield cover: Phosphor bronze, tin-plated (reflow treatment) [Normal type, Straight type]
Shield pin: Phosphor bronze, copper-undercoated, tin-plated (reflow treatment) [Straight type]

RoHS compliance This product displays (LF)(SN) on a label.

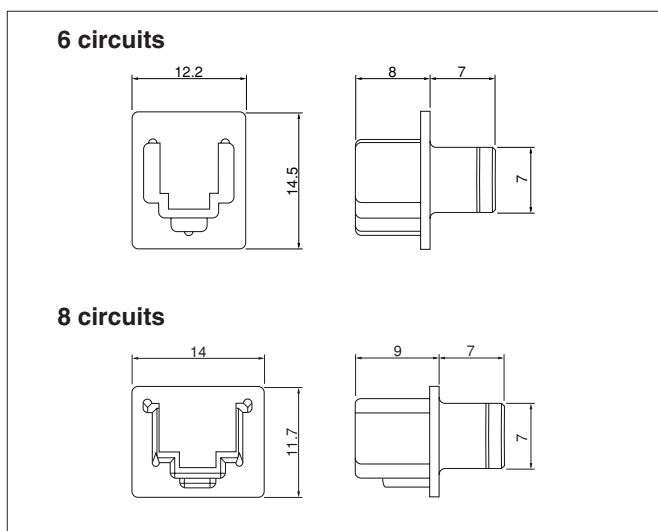
Note: 1. Tolerances are non-cumulative: ± 0.05 mm for all centers.

2. Hole dimensions differ according to the kind of PC board and piercing method.

The dimensions above should serve as a guideline. Contact JST for details.

3. Straight type product is designed for pressing the boss of housing into a PC board and mounting it on a PC board.

Cap for dust



Circuits	Model No.	Q'ty / box
6	MJ-JP56K	500
8	MJ-JP68K	1,000

Material

MJ-JP56K: PA 66, UL94V-0
MJ-JP68K: PBT, UL94V-0

RoHS compliance

Note: Not UL/CSA approved.