



Chipsmall Limited consists of a professional team with an average of over 10 year of expertise in the distribution of electronic components. Based in Hongkong, we have already established firm and mutual-benefit business relationships with customers from,Europe,America and south Asia,supplying obsolete and hard-to-find components to meet their specific needs.

With the principle of "Quality Parts,Customers Priority,Honest Operation,and Considerate Service",our business mainly focus on the distribution of electronic components. Line cards we deal with include Microchip,ALPS,ROHM,Xilinx,Pulse,ON,Everlight and Freescale. Main products comprise IC,Modules,Potentiometer,IC Socket,Relay,Connector.Our parts cover such applications as commercial,industrial, and automotives areas.

We are looking forward to setting up business relationship with you and hope to provide you with the best service and solution. Let us make a better world for our industry!



Contact us

Tel: +86-755-8981 8866 Fax: +86-755-8427 6832

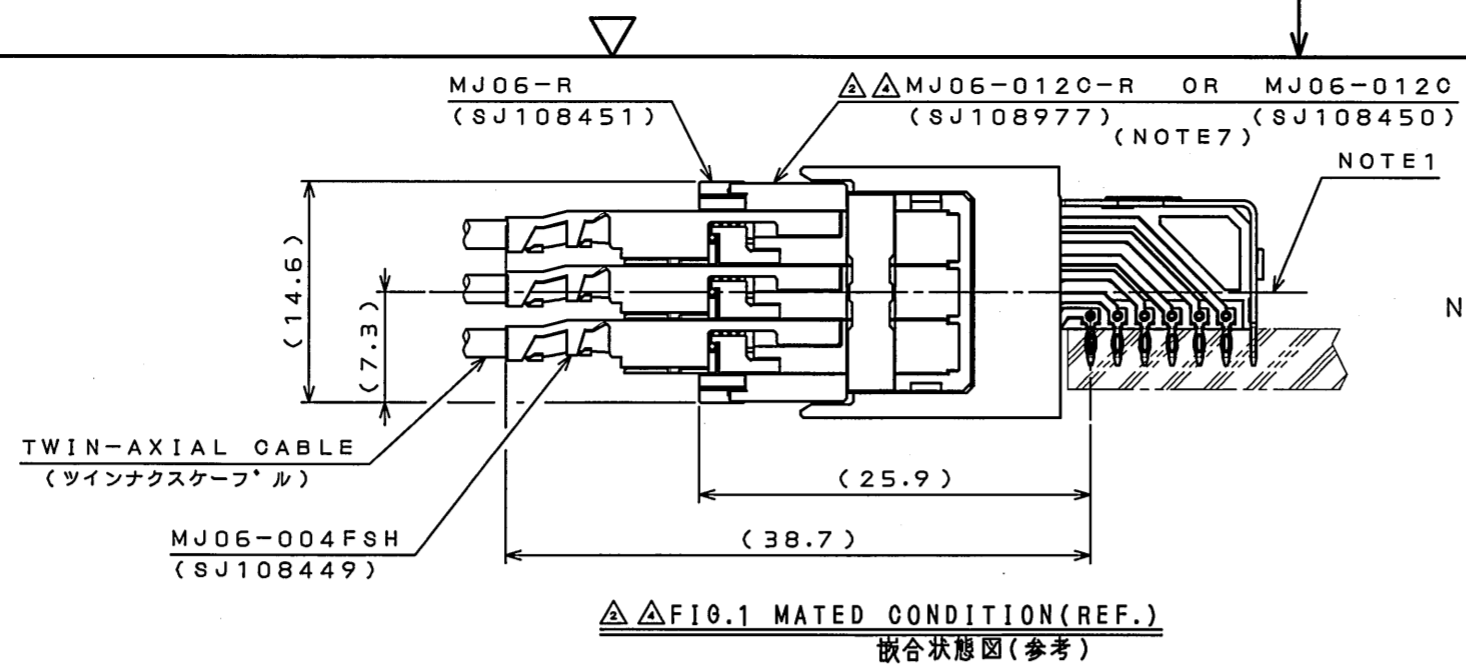
Email & Skype: info@chipsmall.com Web: www.chipsmall.com

Address: A1208, Overseas Decoration Building, #122 Zhenhua RD., Futian, Shenzhen, China



SJ108452
(ON DRAWING) 台番号

REV.	DATE	NO.	DESCRIPTION	DR.	CHK.	APP.	APP.
2	27.Jun.2008	066085	CHANGED FIG.3 ETC		Y.ITOU		Y.MIZUSAWA
3	3.Apr.2009	067684	CHANGED LOT NUMBER DISPLAY EXAMPLE.		Y.ITOU		Y.MIZUSAWA
4	24.Jun.2009	068124	CHANGED NOTE3 ETC.		Y.ITOU		Y.MIZUSAWA
5	29.Oct.2009	068879	DELETE UL NOTATION.		Y.ITOU		Y.MIZUSAWA



NOTE1. THIS LINE IS A CENTERLINE OF TOTAL-PITCH: 9 (1.8X5).
 2. TABLE 1 SHOWS P.C.B. THROUGH-HOLE SIZE.
 △3. : CONNECTOR MOUNTING AREA (FIG.2 REF.).
 △4. : THE 10 THROUGH-HOLES IN Z-ROW IS SHORT-CIRCUITED (FIG.2 REF.).
 5. PLATING THICKNESS
 CONTACT AREA : GOLD (0.1μm MIN.) OVER NICKEL (1.5~5.0μm) PLATING.
 PRESS-FIT AREA : GOLD (0.03μm MIN.) OVER NICKEL (1.5~5.0μm) PLATING.
 6. COMPANY LOGO "JAE" AND PRODUCTION LOT NUMBER AS INDICATED.

(LOT NUMBER DISPLAY EXAMPLE) JAE J8530 △
 DAY (01~31) 生産日表示
 MONTH (RESPECTIVELY OCT:0, NOV:X, DEC:Y) 月表示 (10月:0, 11月:X, 12月:Y)
 YEAR (LAST DIGIT ONLY) 年表示 (西暦末尾)
 PRODUCT CODE 製造コード
 COMPANY LOGO 社標

△7. FIGURE 1 SHOWS THE CASE OF MJ06-0120-R (SJ108977).

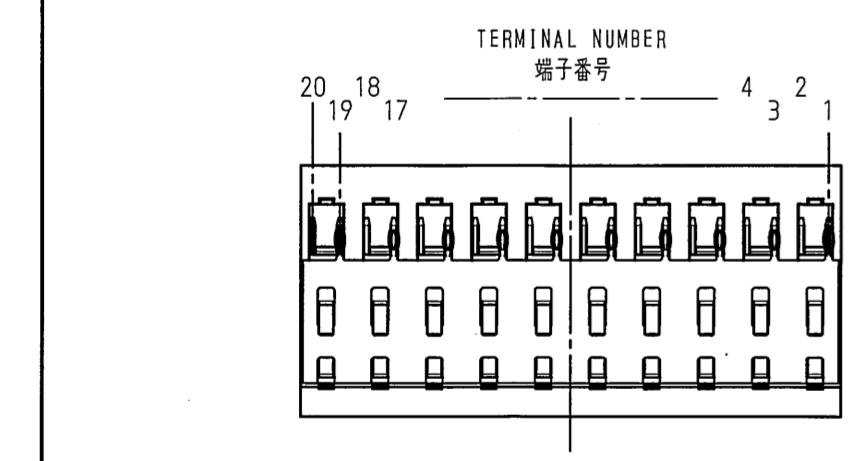
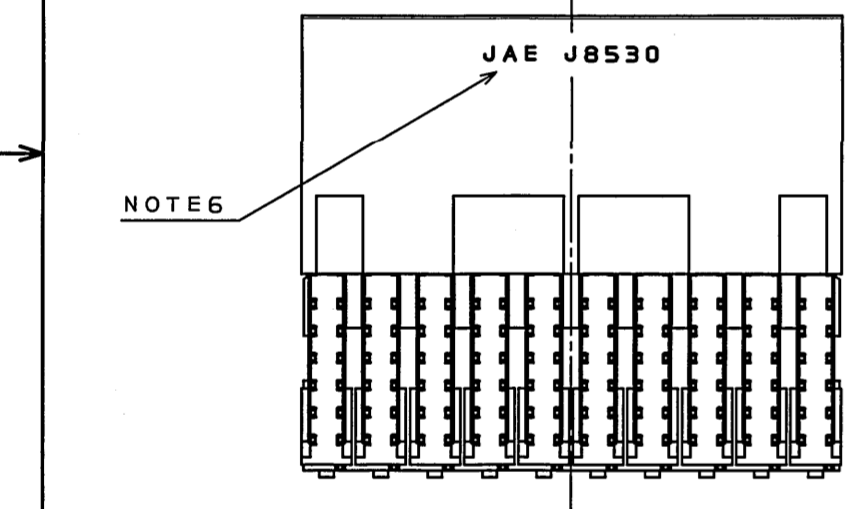
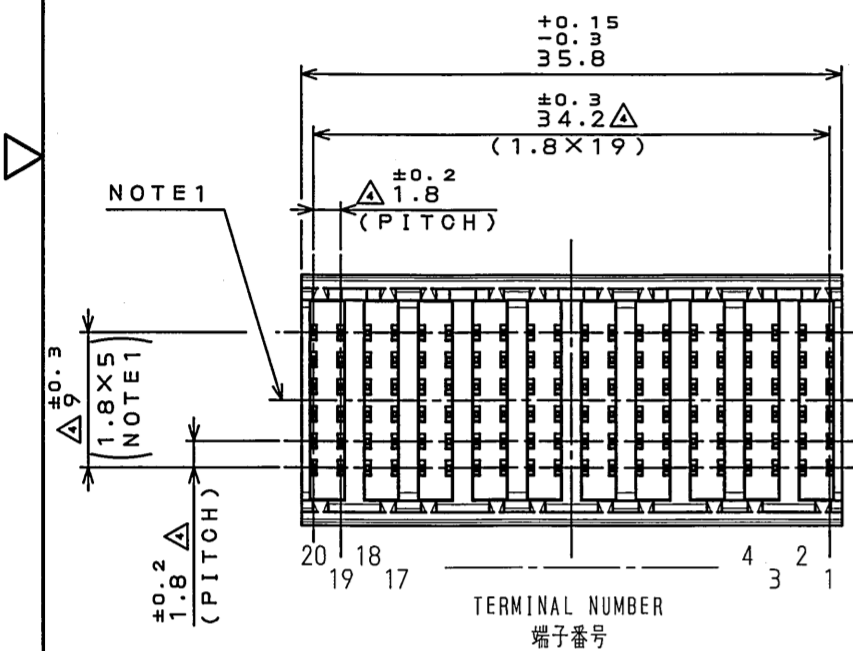
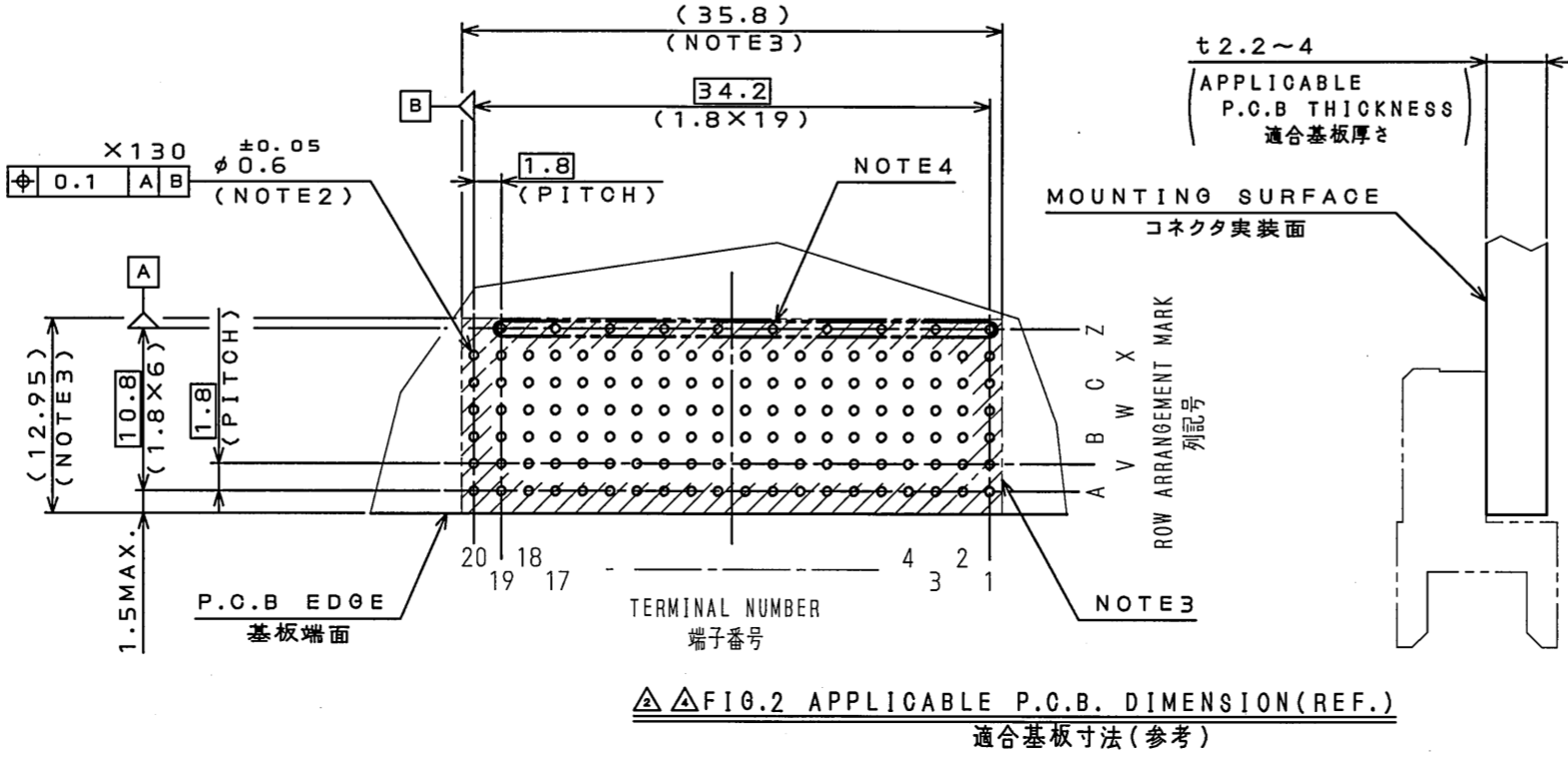
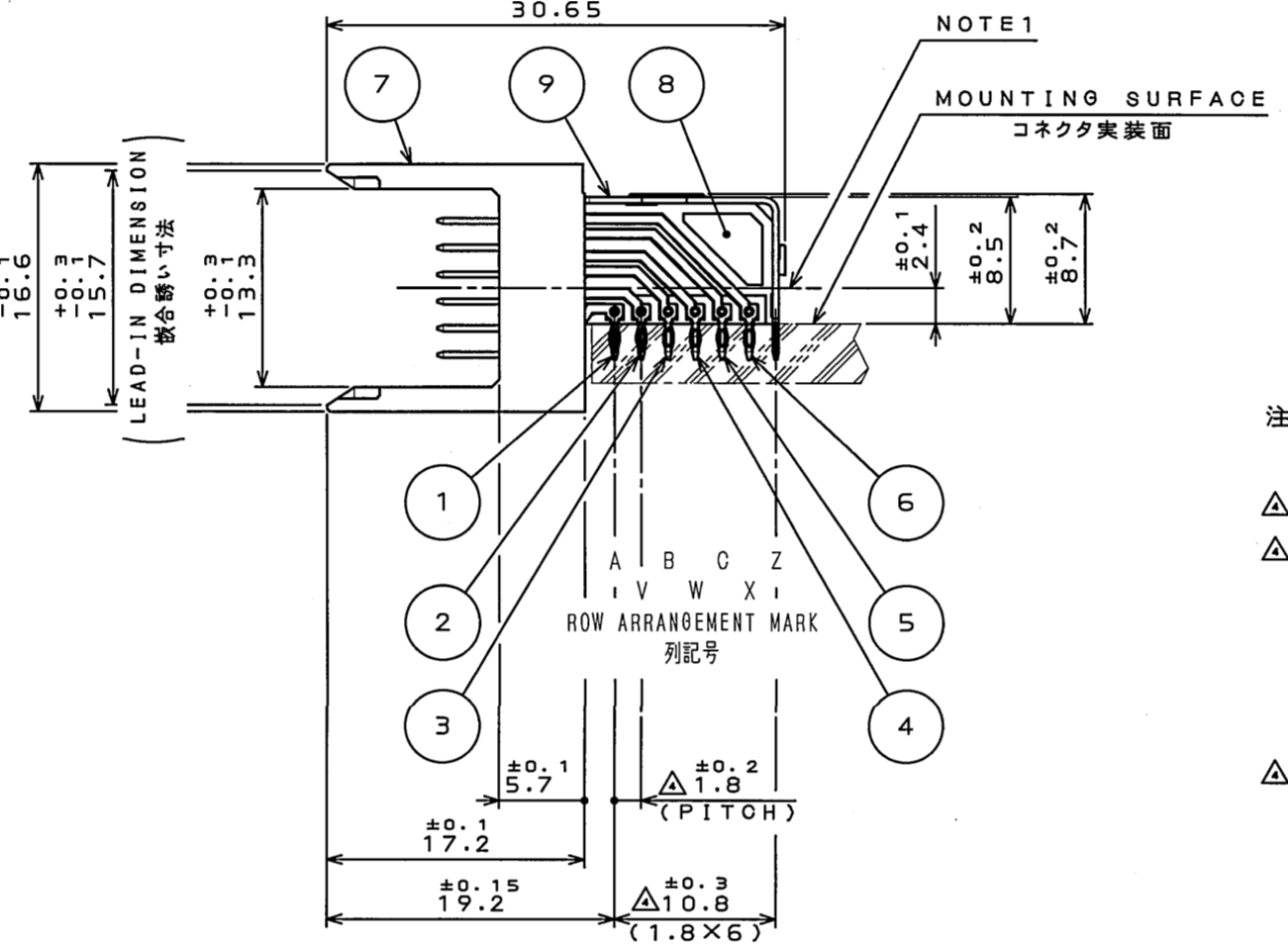


TABLE 1 P.C.B. THROUGH-HOLE SIZE (REF.)
基板スルーホール寸法 (参考)

FINISHED HOLE DIAMETER (GOLD OVER COPPER PLATING) 仕上り径 (銅上Auフラッシュめっき)	±0.05 φ0.6 [mm]
STARTED DRILL DIAMETER トリル下穴径	±0.025 φ0.7 [mm]
COPPER PLATING THICKNESS 銅めっき厚	20 [μm] MIN.
P.C.B MATERIAL 基板材料	GLASS FILLED EPOXY ガラス布入りエポキシ積層板



注1. 寸法9 (1.8x5) の中心線を示す。
 2. スルーホール仕様をTABLE 1に示す。
 △3. はコネクタ実装領域を示す (FIG.2 参照)。
 △4. 内のZ列のスルーホールは、コネクタ構造上同一端子である (FIG.2 参照)。
 5. めっき仕様
 接触部: ニッケル (1.5~5.0μm) 上 金めっき (0.1μm以上)
 結線部: ニッケル (1.5~5.0μm) 上 金フラッシュめっき (0.03μm以上)
 6. 図示の位置に社標, ロット番号を表示する。
 △7. 図1は、MJ06-0120-R (SJ108977) の場合を示す。

MJ06-120MRP-1

MATING-LOCK	嵌合ロック
1: ONE-ACTION TYPE	1: 1アクションタイプ
2: TWO-ACTIONS TYPE	2: 2アクションタイプ
TERMINATION STYLE	結線方式
P: PRESS-FIT	P: プレスフィット
H: HARNESS	H: ハーネス
CONNECTING DIRECTION	接続方向
R: RIGHT-ANGLE	R: ライトアングル
S: STRAIGHT	S: ストレート
PRODUCT STYLE	製品形態
F: SOCKET-CONTACT	F: ソケットコンタクト
M: PIN-CONTACT	M: ピンコンタクト
S: SHROUD	S: シェラウト
O: HARNESS-CLIP	O: ハーネスクリップ
NUMBER OF CONTACTS	芯数
SERIES	シリーズ名
DESIGNATION	命名法

NO.	DESCRIPTION	QTY.	MATERIAL	FINISH	REMARKS
9	SHIELD-PLATE	1	COPPER ALLOY		NOTE5
8	UNIT-INSULATOR	10	GLASS FILLED PBT		COLOR: WHITE △
7	FRONT-INSULATOR	10	GLASS FILLED PBT		COLOR: WHITE △
6	CONTACT6	20	COPPER ALLOY		NOTE5
5	CONTACT5	20	COPPER ALLOY		NOTE5
4	CONTACT4	20	COPPER ALLOY		NOTE5
3	CONTACT3	20	COPPER ALLOY		NOTE5
2	CONTACT2	20	COPPER ALLOY		NOTE5
1	CONTACT1	20	COPPER ALLOY		NOTE5

仕様書 (SPECIFICATION)	JACS-10524	第1版 (ORIGINAL DATE)	30.May.2008	尺度 (SCALE)	2:1	シリーズ (SERIES)	MJ06	日本航空電子工業株式会社
製造 DR.		名称 (TITLE)	MJ06-120MRP-1	JAPAN AVIATION ELECTRONICS INDUSTRY, LTD.				
担当 CHK.	Y.ITOU	図面番号 (DRAWING NO.)	SJ108452	版数 (REV.)				
承認 APPD.	Y.MIZUSAWA							

DOF-0-213FC05.08