



Chipsmall Limited consists of a professional team with an average of over 10 year of expertise in the distribution of electronic components. Based in Hongkong, we have already established firm and mutual-benefit business relationships with customers from,Europe,America and south Asia,supplying obsolete and hard-to-find components to meet their specific needs.

With the principle of “Quality Parts,Customers Priority,Honest Operation,and Considerate Service”,our business mainly focus on the distribution of electronic components. Line cards we deal with include Microchip,ALPS,ROHM,Xilinx,Pulse,ON,Everlight and Freescale. Main products comprise IC,Modules,Potentiometer,IC Socket,Relay,Connector.Our parts cover such applications as commercial,industrial, and automotives areas.

We are looking forward to setting up business relationship with you and hope to provide you with the best service and solution. Let us make a better world for our industry!



Contact us

Tel: +86-755-8981 8866 Fax: +86-755-8427 6832

Email & Skype: info@chipsmall.com Web: www.chipsmall.com

Address: A1208, Overseas Decoration Building, #122 Zhenhua RD., Futian, Shenzhen, China



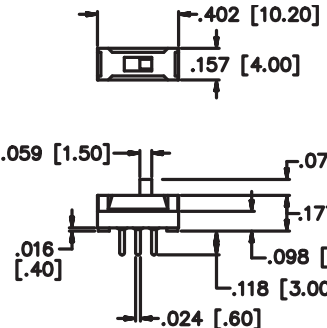
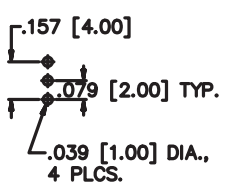


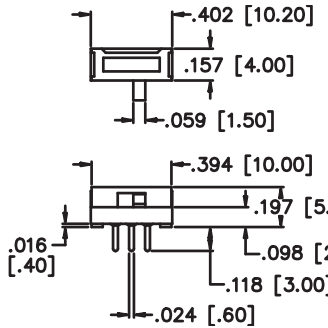
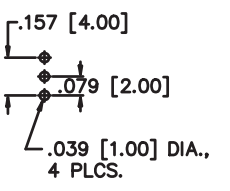
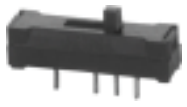

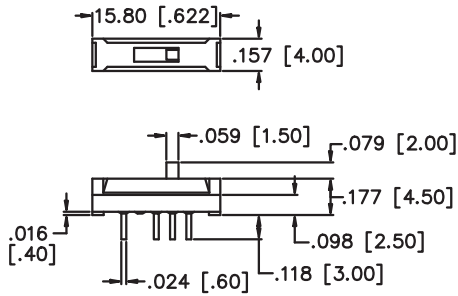
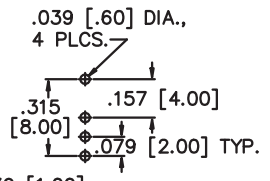


MJS Series

Microminiature Slide Switches

SPECIFICATIONS SUBJECT TO CHANGE WITHOUT NOTICE

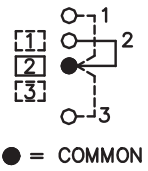
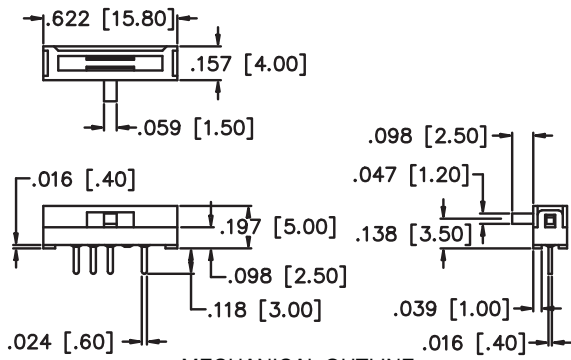
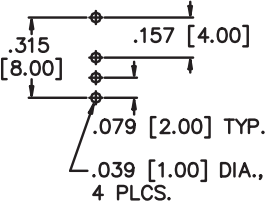
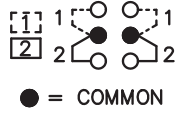
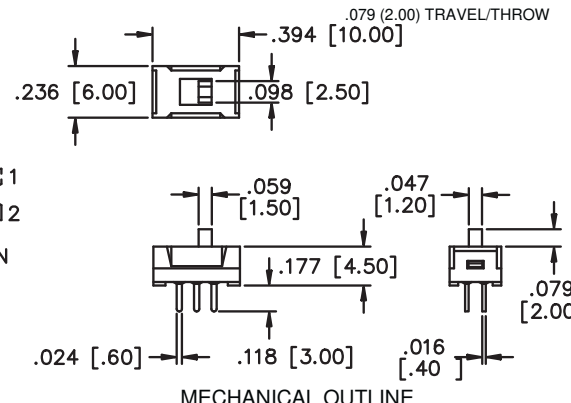
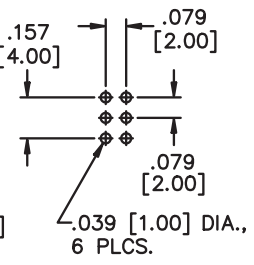
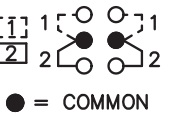
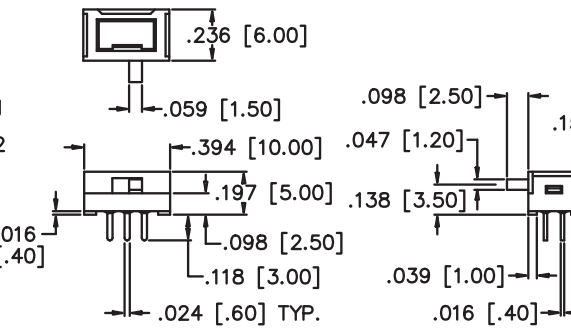
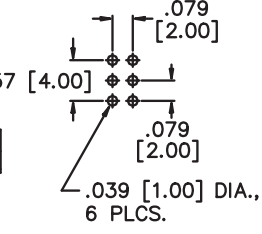
SPECIFICATIONS	FEATURES
<p>Contact rating: 100 mA at 12 VDC</p> <p>Initial contact resistance: 20 milliohms max.</p> <p>Insulation resistance: 100 megohms min. at 500 VDC</p> <p>Dielectric strength: 500 volts RMS at sea level</p> <p>Electrical life: 10,000 cycles min.</p> <p>Operating temperature range: -10°C to +60°C</p> <p>Actuation force: 225g (average)</p> <p>Solder heat resistance: 260°C max. for 5 seconds</p> <p>Washing not recommended</p>	<ul style="list-style-type: none"> ● Molded-in terminals minimize flux or solder entry. ● Molded-in high temperature phenolic base. ● Low Profile. ● Bifurcated wiping contact design.
	MATERIALS
	<p>Contacts & terminals: Silver plated</p> <p>Case & actuator: Thermoplastic</p> <p>Terminal seal: Molded-in</p>

MODEL NO.	.079 (2.00) TRAVEL/THROW		
MJS12			
	1P2T  ● = COMMON	 MECHANICAL OUTLINE	 P.C. BOARD LAYOUT
VERTICAL ACTUATOR	SCHEMATIC	MECHANICAL OUTLINE	P.C. BOARD LAYOUT
MODEL NO.	.079 (2.00) TRAVEL/THROW		
MJS12R			
	1P2T  ● = COMMON	 MECHANICAL OUTLINE	 P.C. BOARD LAYOUT
RIGHT ANGLE ACTUATOR	SCHEMATIC	MECHANICAL OUTLINE	P.C. BOARD LAYOUT
MODEL NO.	.079 (2.00) TRAVEL/THROW		
MJS13			
	1P3T  ● = COMMON	 MECHANICAL OUTLINE	 P.C. BOARD LAYOUT
VERTICAL ACTUATOR	SCHEMATIC	MECHANICAL OUTLINE	P.C. BOARD LAYOUT

MJS Series

Microminiature Slide Switches

SPECIFICATIONS SUBJECT TO CHANGE WITHOUT NOTICE

<p>MODEL NO.</p> <p>MJS13R</p>	<p style="text-align: right;">.079 (2.00) TRAVEL/THROW</p> <div style="display: flex; justify-content: space-between;"> <div style="width: 30%;">  <p>● = COMMON</p> </div> <div style="width: 35%;">  <p style="text-align: center;">MECHANICAL OUTLINE</p> </div> <div style="width: 30%;">  <p style="text-align: center;">P.C. BOARD LAYOUT</p> </div> </div> <p style="display: flex; justify-content: space-between; margin-top: 10px;"> RIGHT ANGLE ACTUATOR SCHMATIC MECHANICAL OUTLINE P.C. BOARD LAYOUT </p>
<p>MODEL NO.</p> <p>MJS22</p>	<p style="text-align: right;">.079 (2.00) TRAVEL/THROW</p> <div style="display: flex; justify-content: space-between;"> <div style="width: 30%;">  <p>● = COMMON</p> </div> <div style="width: 35%;">  <p style="text-align: center;">MECHANICAL OUTLINE</p> </div> <div style="width: 30%;">  <p style="text-align: center;">P.C. BOARD LAYOUT</p> </div> </div> <p style="display: flex; justify-content: space-between; margin-top: 10px;"> VERTICAL ACTUATOR SCHMATIC MECHANICAL OUTLINE P.C. BOARD LAYOUT </p>
<p>MODEL NO.</p> <p>MJS22R</p>	<p style="text-align: right;">.079 (2.00) TRAVEL/THROW</p> <div style="display: flex; justify-content: space-between;"> <div style="width: 30%;">  <p>● = COMMON</p> </div> <div style="width: 35%;">  <p style="text-align: center;">MECHANICAL OUTLINE</p> </div> <div style="width: 30%;">  <p style="text-align: center;">P.C. BOARD LAYOUT</p> </div> </div> <p style="display: flex; justify-content: space-between; margin-top: 10px;"> RIGHT ANGLE ACTUATOR SCHMATIC MECHANICAL OUTLINE P.C. BOARD LAYOUT </p>