



Chipsmall Limited consists of a professional team with an average of over 10 year of expertise in the distribution of electronic components. Based in Hongkong, we have already established firm and mutual-benefit business relationships with customers from,Europe,America and south Asia,supplying obsolete and hard-to-find components to meet their specific needs.

With the principle of “Quality Parts,Customers Priority,Honest Operation,and Considerate Service”,our business mainly focus on the distribution of electronic components. Line cards we deal with include Microchip,ALPS,ROHM,Xilinx,Pulse,ON,Everlight and Freescale. Main products comprise IC,Modules,Potentiometer,IC Socket,Relay,Connector.Our parts cover such applications as commercial,industrial, and automotives areas.

We are looking forward to setting up business relationship with you and hope to provide you with the best service and solution. Let us make a better world for our industry!



Contact us

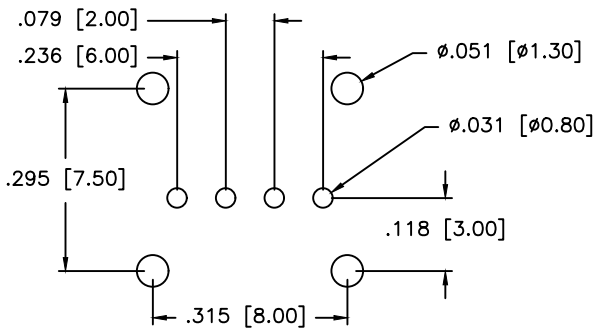
Tel: +86-755-8981 8866 Fax: +86-755-8427 6832

Email & Skype: info@chipsmall.com Web: www.chipsmall.com

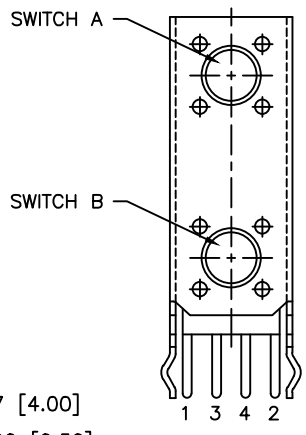
Address: A1208, Overseas Decoration Building, #122 Zhenhua RD., Futian, Shenzhen, China



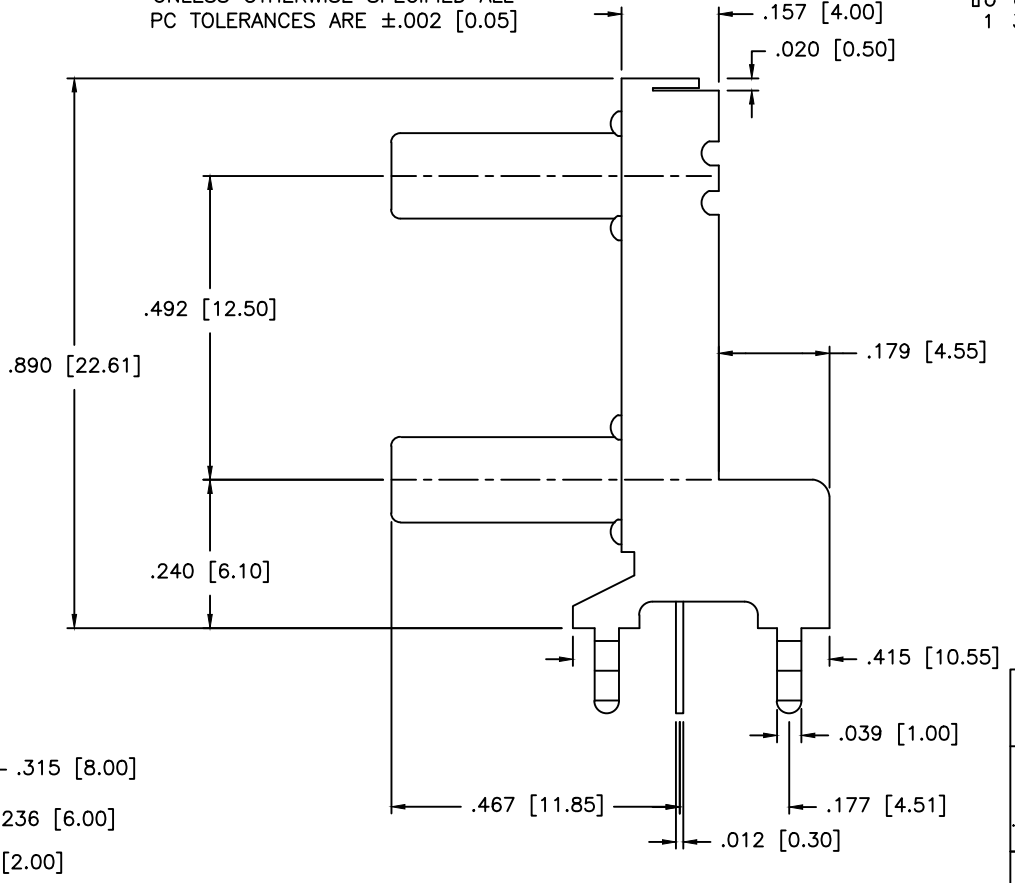
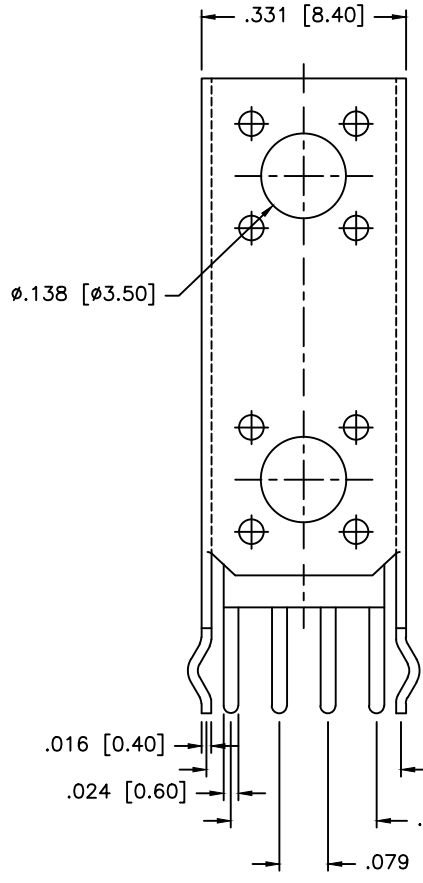
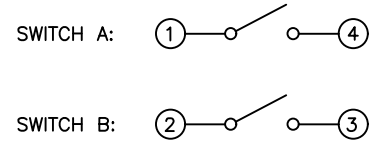
THIS DOCUMENT IS THE PROPERTY OF APEM COMPONENTS AND SHALL NOT BE COPIED, REPRODUCED, DISCLOSED OR USED AS THE BASIS FOR MANUFACTURING OR SALE WITHOUT PERMISSION OF A DULY AUTHORIZED REPRESENTATIVE OF APEM COMPONENTS INC.



PCB LAYOUT
UNLESS OTHERWISE SPECIFIED ALL
PC TOLERANCES ARE ±.002 [0.05]



DATE	SYM	REVISION RECORD	DWN.	CK.
1/19/17	B	-		



DESCRIPTION: RIGHT ANGLE, THRU HOLE, TACT SWITCH
 SPECIFICATIONS:
 OPERATING FORCE: 160±50gf.
 TRAVEL: 0.25mm ±0.2mm
 OPERATING LIFE: 100,000 CYCLES
 OPERATION TEMPERATURE RANGE: -20°C TO +70°C.
 STORAGE TEMPERATURE RANGE: -30°C TO +80°C
 VIBRATION TEST: PASSES METHOD 201 MIL-STD-202.
 SHOCK TEST: 30G PER METHOD 213, MIL-STD-202.
 RATING: 50mA AT 12VDC.
 CONTACT RESISTANCE: 100mΩ MAX.
 INSULATION RESISTANCE: 100MΩ MIN.
 DIELECTRIC STRENGTH: 250VAC FOR 1 MINUTE
 CONTACT ARRANGEMENT: 1 POLE 1 THROW.
 MATERIALS:
 COVER / BRACKET: PET FILM, TIN PLATED BRASS, OR STAINLESS STEEL
 CASE: NYLON 66 THERMOPLASTIC COLOR, BLACK
 ACTUATOR: NYLON 66 THERMOPLASTIC COLOR, BLACK
 TERMINAL: BRASS WITH SILVER PLATING
 SOLDERING:
 HAND SOLDERING: 40 WATT IRON AT 320°C FOR 3.5 SEC.
 IR REFLOW SOLDERING: 240°C MAX. FOR 20 SEC.
 WAVE SOLDERING: 255°C MAX. FOR 5 SEC.
 LEAD FREE PROCESS COMPATIBLE
 RoHS COMPLIANT

Q.A. INSPECT.	83 Neck Rd. Haverhill, MA 01835 Tel: 978-372-1602 Fax: 978-372-3534			DRN: BY: CJD
DESIGNATES CRITICAL DIMENSION	SHEET 1 OF 1	SIZE B	SCALE	CHK. BY: PJD
TOLERANCES (EXCEPT AS NOTED) .XXX=±.008[0.20] .XXXX=±.0008[0.02] ANGLE = ±0.5°	TITLE VERTICAL GANG TACT SWITCH			THIRD ANGLE PROJECTION
DO NOT SCALE DRAWING	DATE 3/8/07	DRAWING NO. MJTP2205D	REV B	