



Chipsmall Limited consists of a professional team with an average of over 10 year of expertise in the distribution of electronic components. Based in Hongkong, we have already established firm and mutual-benefit business relationships with customers from,Europe,America and south Asia,supplying obsolete and hard-to-find components to meet their specific needs.

With the principle of “Quality Parts,Customers Priority,Honest Operation,and Considerate Service”,our business mainly focus on the distribution of electronic components. Line cards we deal with include Microchip,ALPS,ROHM,Xilinx,Pulse,ON,Everlight and Freescale. Main products comprise IC,Modules,Potentiometer,IC Socket,Relay,Connector.Our parts cover such applications as commercial,industrial, and automotives areas.

We are looking forward to setting up business relationship with you and hope to provide you with the best service and solution. Let us make a better world for our industry!



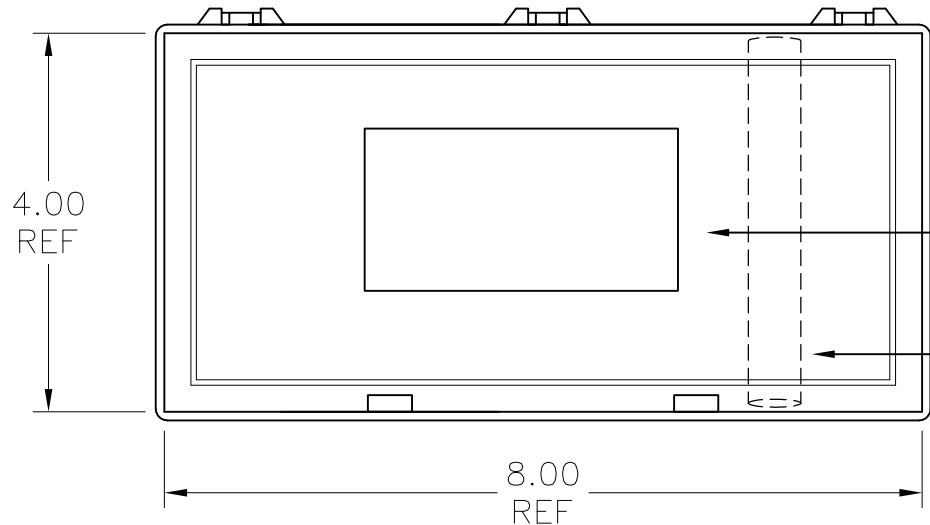
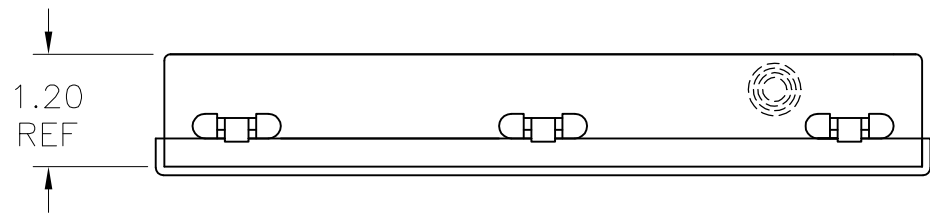
## Contact us

Tel: +86-755-8981 8866 Fax: +86-755-8427 6832

Email & Skype: info@chipsmall.com Web: www.chipsmall.com

Address: A1208, Overseas Decoration Building, #122 Zhenhua RD., Futian, Shenzhen, China





REVISIONS		
LTR	DESCRIPTION	DATE
A	INITIAL RELEASE PER ECO-08-028257	11/13/2008

NOTES:

1. ALL DIMENSIONS ARE IN INCHES

2. TUBINGS (ITEMS 3 TO 6) ARE TELESCOPED INSIDE ONE ANOTHER AND ARRANGED INSIDE BOX AS SHOWN.

BOX LABEL

TUBING, 4 IN LENGTH  
SEE NOTE 2

If this document is printed it becomes uncontrolled. Check for the latest revision

6	20	M23053 TUBING, GRAY, SIZE 3/16"
5	20	M23053 TUBING, WHITE, SIZE 1/4"
4	20	M23053 TUBING, RED, SIZE 3/8"
3	20	M23053 TUBING, BLUE, SIZE 1/2"
2	1	BOX LABEL
1	1	PLASTIC BOX
ITEM	QTY	DESCRIPTION

PARTS LIST

UNLESS OTHERWISE SPECIFIED DIMENSIONS ARE INCHES. METRIC DIMENSIONS ARE IN BRACKETS.

DECIMAL TOLERANCES  
 .XXX ± 0.005 [0.13 mm]  
 .XX ± 0.01 [0.25 mm]  
 .X ± 0.1 [0.50 mm]

ANGLE TOLERANCE  
 .X ± 1 DEG.

TYCO ELECTRONICS RESERVES THE RIGHT TO AMEND THIS DRAWING AT ANY TIME. USERS SHOULD EVALUATE THE SUITABILITY OF THE PRODUCT FOR THEIR APPLICATION.

DRAWN	DATE
UNGUYEN	11/13/2008
RPN	975269-000
THIRD ANGLE PROJECTION	

**CUSTOMER DRAWING**

Raychem Devices  
305 Constitution Dr  
Menlo Park, CA 94025

**TITLE** M23053 TUBING PACKAGE,  
SIZES 1 THRU 4

SIZE	CODE IDENT. NO.	DWG. NO.
B	06090	MK-0001-35

DO NOT SCALE THIS DRAWING